



# BENDING

**SAVE MONEY WITH EVERY BEND USING GREENLEE BENDERS. TRUST GREENLEE AS THE INDUSTRY STANDARD FOR BENDING STUBS, OFFSETS, SADDLES, U-BENDS IN EMT, IMC, PVC COATED AND RIGID CONDUIT.**

## *Contents*

Electric Benders	145
Accessory Shoe Groups	149
Hydraulic Benders	152
Hydraulic Pumps	161
Hand Benders	163
Mechanical Benders	164
PVC Heaters & Blankets	166
PVC Accessories	168
Bender Accessories	169



## Bending Selection Guide

<b>RIGID</b>	<b>PG. NO.</b>	<b>1/2"</b>	<b>3/4"</b>	<b>1"</b>	<b>1-1/4"</b>	<b>1-1/2"</b>	<b>2"</b>	<b>2-1/2"</b>	<b>3"</b>	<b>3-1/2"</b>	<b>4"</b>	<b>5"</b>	<b>6"</b>	
Electric Benders	145	█												
Hydraulic Benders	152	█												
Hand Benders	163	█												
Mechanical Benders	164	█												

<b>EMT</b>	<b>PG. NO.</b>	<b>1/2"</b>	<b>3/4"</b>	<b>1"</b>	<b>1-1/4"</b>	<b>1-1/2"</b>	<b>2"</b>	<b>2-1/2"</b>	<b>3"</b>	<b>3-1/2"</b>	<b>4"</b>	<b>5"</b>	<b>6"</b>	
Electric Benders	145	█												
Hydraulic Benders	152				█									
Hand Benders	163	█												
Mechanical Benders	164		█											

<b>IMC</b>	<b>PG. NO.</b>	<b>1/2"</b>	<b>3/4"</b>	<b>1"</b>	<b>1-1/4"</b>	<b>1-1/2"</b>	<b>2"</b>	<b>2-1/2"</b>	<b>3"</b>	<b>3-1/2"</b>	<b>4"</b>	<b>5"</b>	<b>6"</b>	
Electric Benders	145	█												
Hydraulic Benders	152				█									
Hand Benders	163	█												
Mechanical Benders	164	█												

<b>PVC COATED RIGID</b>	<b>PG. NO.</b>	<b>1/2"</b>	<b>3/4"</b>	<b>1"</b>	<b>1-1/4"</b>	<b>1-1/2"</b>	<b>2"</b>	<b>2-1/2"</b>	<b>3"</b>	<b>3-1/2"</b>	<b>4"</b>	<b>5"</b>	<b>6"</b>	
Electric Benders	145	█												
Hydraulic Benders	152				█									

<b>PVC CONDUIT</b>	<b>PG. NO.</b>	<b>1/2"</b>	<b>3/4"</b>	<b>1"</b>	<b>1-1/4"</b>	<b>1-1/2"</b>	<b>2"</b>	<b>2-1/2"</b>	<b>3"</b>	<b>3-1/2"</b>	<b>4"</b>	<b>5"</b>	<b>6"</b>
PVC Heaters & Blankets	166-167	█											

\* 1818, 1818R, 555C, 555CX, 555DX can also bend Stainless Steel Rigid conduit in the same size conduit ranges as steel Rigid conduit using the Rigid shoe group.

† For Stainless Steel EMT conduit bending 855GX can bend 1"-2"; 555C, 555CX, 555DX can bend 1/2", 3/4" & 1-1/2"; and 1818 & 1818T can bend 3/4" & 1" with respective EMT shoe groups.

# ELECTRIC BENDERS

## IntelliBENDER® Electric Conduit Bender



855GX



A PRODUCT VIDEO IS AVAILABLE, SCAN THIS QR CODE OR VISIT:  
[www.youtube.com/GreenleeDEMO](http://www.youtube.com/GreenleeDEMO)



Switching the 855GX between vertical and horizontal bending configurations is simple and can be done in seconds with its unique pivoting cylinder.

- The 855GX is Greenlee's most advanced programmable bender

### SIMPLE. READY TO BEND IN 2 STEPS



- 1 ORIENT SHOES   2 SELECT ANGLE → BEND

### PRODUCTIVE. 4X FASTER SETUP<sup>1</sup>

### ACCURATE. LESS SCRAP & REWORK

Type of Conduit	Every 100 Pieces Not Scrapped <sup>2</sup>
2" Rigid	\$4382.80
2" EMT	\$1674.00

### RELIABLE. MORE UPTIME TO BEND<sup>3</sup>

#### SPECIFICATIONS

<b>Amperage Rating</b>	20 AMP GFCI-Protected Receptacle
<b>Power Source</b>	120 VAC
<b>Capacity</b>	3/4" - 2" Rigid 1" - 2" EMT/IMC
<b>Weight</b>	532 LBS

CAT. NO.	UPC NO.	DESCRIPTION
855GX	12579	Bender, Electric Conduit - Programmable (120 VAC, 20A)
12582	12582	Shoe Group, 1/2" - 2" PVC Coated Rigid (855GX)

CAT NO.	SHOE GROUP	855GX
12582	1/2"- 2" PVC Coated	✓

#### 855GX BENDING RADII

CONDUIT SIZE	CONDUIT TYPE	INCHES	MM
1"	EMT	7	177.8
1-1/4"	EMT	8-13/16	223.8
1-1/2"	EMT	8-3/8	212.7
2"	EMT	9-1/4	235.0
3/4"	Rigid <sup>4</sup>	6-13/16	173.0
1"	IMC/Rigid	6-15/16	176.2
1-1/4"	IMC/Rigid	8-3/16	208.0
1-1/2"	IMC/Rigid	8-1/4	209.6
2"	IMC/Rigid	9	228.6
1/2"	PVC Coated	4-1/2	108.0
3/4"	PVC Coated	5-7/16	138.1
1"	PVC Coated	6-15/16	176.2
1-1/4"	PVC Coated	8-3/4	222.3
1-1/2"	PVC Coated	8-1/4	209.6
2"	PVC Coated	9	228.6

<sup>1</sup>Speed claims based on timed 4-bend saddle comparisons between the 855GX and other similar benders.

<sup>2</sup>Claims based on list price of 10' long EMT and Rigid conduit.

<sup>3</sup>Solid-state electronics system rated for 1,000,000+ bends.

<sup>4</sup>Using 1" IMC/Rigid groove to bend 3/4" Rigid



## 854DX Electric Bender

**NEW  
PRODUCT**



854DX



**VERSATILE.**  
1 SHOE BENDS 1/2" TO 2"  
EMT, IMC AND RIGID CONDUIT

- Simple switching between vertical and horizontal bending configurations



**ACCURATE.**  
ABSOLUTE ENCODER STOPS  
BENDING AT PRECISE ANGLES

- Digital pendant sets angle and monitors process



**RELIABLE.**  
SOLID STATE ELECTRONICS RATED  
FOR 1,000,000+ BENDS

- Solid state system eliminates arcing and prevents damage from temporary power loss

CAT NO.	UPC NO.	DESCRIPTION
854DX	02670	854DX Electric Bender
02840	02840	Shoe Group, 1/2" – 2" PVC Coated Rigid
SG4-854	04034	Shotgun Shoe for 854DX



**VIDEO**

A PRODUCT VIDEO IS AVAILABLE, SCAN THIS QR CODE OR VISIT:  
[www.youtube.com/GreenleeDEMO](http://www.youtube.com/GreenleeDEMO)

### SPECIFICATIONS

Capacity	1/2" - 2" Rigid / EMT / IMC / PVC Coated
Power Source	120 VAC, 20 amp GFCI
Weight	550 LBS



SG4-854

### 854DX BENDING RADII

CONDUIT SIZE	CONDUIT TYPE	INCHES	MM
1/2"	EMT	4-5/16	109.5
3/4"	EMT	5-1/2	139.7
1"	EMT	7	177.8
1-1/4"	EMT	8-1/4	209.6
1-1/2"	EMT	8-3/8	212.7
2"	EMT	9-1/4	235.0
1/2"	IMC/Rigid	4-1/4	108.0
3/4"	IMC/Rigid	5-7/16	138.1
1"	IMC/Rigid	6-15/16	176.2
1-1/4"	IMC/Rigid	8-3/16	208.0
1-1/2"	IMC/Rigid	8-1/4	209.6
2"	IMC/Rigid	9	228.6
1/2"	PVC Coated	4-1/4	108.0
3/4"	PVC Coated	5-7/16	138.1
1"	PVC Coated	6-15/16	176.2
1-1/4"	PVC Coated	8-3/4	222.3
1-1/2"	PVC Coated	8-1/4	209.6
2"	PVC Coated	9	228.6

### SHOTGUN SHOE FOR 854DX BENDING RADII

CONDUIT SIZE	CONDUIT TYPE	INCHES	MM
3/4"	EMT	5	127.0
1"	EMT	6-1/4	158.8
1/2"	IMC/Rigid	5	127.0
3/4"	IMC/Rigid	6-1/4	158.8
1"	IMC/Rigid	5-3/4	146.0

## 555<sup>®</sup> CX Electric Bender



555CX



- The 555 Series, commonly referred to as the “triple-nickel”, has been completely re-engineered with a rugged exterior for the most demanding environments
- The 555CX has solid state electronics that eliminates arcing and prevents damage from temporary power loss. The solid state electronics system is rated for 1,000,000+ bends
- Operated by a pendant constructed with a high-impact over-molded case and rare earth magnets for strong holding power to the bender

CAT NO.	UPC NO.	DESCRIPTION
555CX	12425	Electric Bender, Standard Pendant (120 VAC, 20A)
555CXES	01635	Electric Bender, with 13934 1/2" – 2" EMT Shoe Group (120 VAC, 20A)
555CXRS	01634	Electric Bender, with 28008 1/2" – 2" Rigid Shoe Group (120 VAC, 20A)
555CX-22	02787	Electric Bender, Standard Pendant (220 VAC, 20A)
555CXES-22	02863	Electric Bender, with 13934 1/2" – 2" EMT Shoe Group (220 VAC, 20A)
555CXRS-22	02862	Electric Bender, with 28008 1/2" – 2" Rigid Shoe Group (220 VAC, 20A)
<b>A</b> 28008	01319	Rigid/IMC Shoe Group, 1/2" to 2" (555 Series)
<b>A</b> 13856	13856	1-1/2" and 2" IMC Squeeze Roller (555CX/DX) (use with 28008 shoe group)
<b>A</b> 13934	01320	EMT Shoe Group, 1/2" to 2" (555CX/DX)
<b>A</b> 12586	01321	40 ml PVC Coated Rigid Shoe Group, 1/2" to 2" (555 Series)
<b>A</b> SG4	02419	Shotgun Shoe



A PRODUCT VIDEO IS AVAILABLE, SCAN THIS QR CODE OR VISIT:  
[www.youtube.com/GreenleeDEMO](http://www.youtube.com/GreenleeDEMO)



### 555CX BENDING RADII

CONDUIT SIZE	CONDUIT TYPE	INCHES	MM
1/2"	EMT	4-5/16	109.5
3/4"	EMT	5-1/2	139.7
1"	EMT	7	177.8
1-1/4"	EMT	8-13/16	223.8
1-1/2"	EMT	8-3/8	212.7
2"	EMT	9-1/4	235.0
1/2"	IMC/Rigid	4-1/4	108.0
3/4"	IMC/Rigid	5-7/16	138.1
1"	IMC/Rigid	6-15/16	176.2
1-1/4"	IMC/Rigid	8-3/4	222.3
1-1/2"	IMC/Rigid	8-1/4	209.6
2"	IMC/Rigid	9	228.6
1/2"	PVC Coated	4-1/4	108.0
3/4"	PVC Coated	5-7/16	138.1
1"	PVC Coated	6-15/16	176.2
1-1/4"	PVC Coated	8-3/4	222.3
1-1/2"	PVC Coated	8-1/4	209.6
2"	PVC Coated	9	228.6

### SPECIFICATIONS

<b>Capacity</b>	1/2" - 2" Rigid / EMT / IMC / PVC Coated
<b>Power Source</b>	120 VAC, 20 amp GFCI
<b>Weight</b>	300 LBS

### 555 SHOE GROUPS

CAT. NO.	UPC NO.	DESCRIPTION	ELECTRIC BENDER COMPATIBILITY	
			555C	555CX/555DX
28008	01319	Rigid Shoe Group <sup>1</sup> , 1/2" to 2"	X	X
12586	01321	PVC-Coated Shoe Group, 1/2" to 2"	X	X
13934	01320	EMT Shoe Group, 1/2" to 2"		X
23803	01322	EMT Shoe Group, 1/2" to 2"	X	
01323	01323	IMC Roller Support, 1-1/2" to 2"	X	
13856	13856	1-1/2" & 2" IMC Squeeze Roller		X

<sup>1</sup> The IMC squeeze roller is required when bending IMC for the 555CX/DX

## 555® Classic Electric Benders for Conduit and Pipe



555C

- The 555C Classic Series features simple relay controls for easy field repairs, and compact handle design to prevent interference with conduit when bending
- Bend 1/2" – 2" Rigid, IMC, EMT & PVC Coated Rigid
- Shoe groups available for different combination

### SPECIFICATIONS

<b>Capacity</b>	555RSC: 1/2" – 2" Rigid (1/2" – 2" IMC with IMC Roller Support) 555ESC: 1/2" – 2" EMT
<b>Power</b>	555C Classic Series: 120 VAC; 20 amp GFCI-protected
<b>Weight</b>	555C: 260 LBS 555RSC/555ESC: 320 LBS

CAT. NO.	UPC NO.	DESCRIPTION
555C	06900	Classic Electric Bender power unit without bending accessories
555RSC	01632	Classic Electric Bender, with 28008 1/2" – 2" Rigid Shoe Group
555ESC	01633	Classic Electric Bender, with 23803 1/2" – 2" EMT Shoe Group
28008	01319	Rigid/IMC Shoe Group, 1/2" to 2" (555 Series)
12586	01321	40 ml PVC Coated Rigid Shoe Group, 1/2" to 2" (555 Series)
23803	01322	EMT Shoe Group, 1/2" to 2" (555C)
01323	01323	1/2" to 2" IMC Roller Support (555C)
SG4	02419	Shotgun Shoe

### 555C BENDING RADII

CONDUIT SIZE	CONDUIT TYPE	INCHES	MM
1/2"	EMT	4-5/16	109.5
3/4"	EMT	5-1/2	139.7
1"	EMT	7	177.8
1-1/4"	EMT	8-13/16	223.8
1-1/2"	EMT	8-3/8	212.7
2"	EMT	9-1/4	235.0
1/2"	IMC/Rigid	4-1/4	108.0
3/4"	IMC/Rigid	5-7/16	138.1
1"	IMC/Rigid	6-15/16	176.2
1-1/4"	IMC/Rigid	8-3/4	222.3
1-1/2"	IMC/Rigid	8-1/4	209.6
2"	IMC/Rigid	9	228.6
1/2"	PVC Coated	4-1/4	108.0
3/4"	PVC Coated	5-7/16	138.1
1"	PVC Coated	6-15/16	176.2
1-1/4"	PVC Coated	8-3/4	222.3
1-1/2"	PVC Coated	8-1/4	209.6
2"	PVC Coated	9	228.6

# ACCESSORY SHOE GROUPS

- Bend 1/2" to 2" on one shoe<sup>1</sup>
- No loose pieces
- One time setup
- Less lifting reduces operator fatigue
- Works with Greenlee® 555CX, 555DX and 555C electric conduit benders

<sup>1</sup>Separate shoes used for different conduit types (Rigid/IMC, EMT, and PVC-Coated)



A PRODUCT VIDEO IS AVAILABLE, SCAN THIS QR CODE OR VISIT:  
[www.youtube.com/GreenleeDEMO](http://www.youtube.com/GreenleeDEMO)

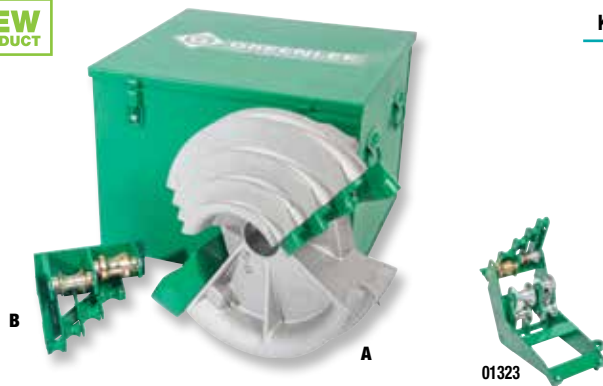
## 555 SHOE GROUPS

CAT. NO.	UPC NO.	DESCRIPTION	ELECTRIC BENDER COMPATIBILITY	
			555C	555CX/555DX
28008	01319	Rigid Shoe Group <sup>1</sup> , 1/2" to 2"	X	X
12586	01321	PVC-Coated Shoe Group, 1/2" to 2"	X	X
13934	01320	EMT Shoe Group, 1/2" to 2"		X
23803	01322	EMT Shoe Group, 1/2" to 2"	X	
01323	01323	IMC Roller Support, 1-1/2" to 2"	X	

<sup>1</sup>The IMC squeeze roller is required when bending IMC for the 555CX/DX

## 1/2" – 2" Rigid/IMC Shoe Group

**NEW PRODUCT**



KEY	CAT. NO.	UPC NO.	DESCRIPTION
	28008	01319	Rigid/IMC Shoe Group, 1/2" to 2"
A	02548	02548	1/2" to 2" Bending Shoe
B	02549	02549	1/2" to 2" Roller Support
	1723	23818	Metal Storage Box

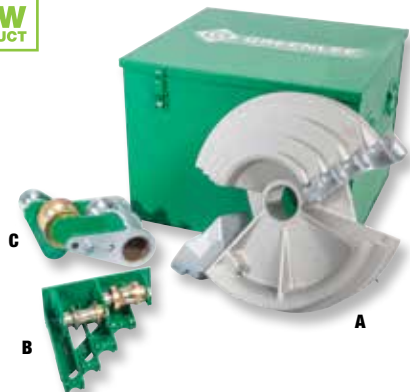
CAT. NO.	UPC NO.	DESCRIPTION
01323	01323	1/2" to 2" IMC Roller Support <sup>1</sup> (555C)
13856	13856	1-1/2" and 2" IMC Squeeze Roller (555CX/DX) <sup>2</sup>

<sup>1</sup>The IMC Roller Support is required to bend IMC on the 555C Bender.

<sup>2</sup>The IMC Squeeze Roller is required to bend IMC on 555CX/DX Benders.

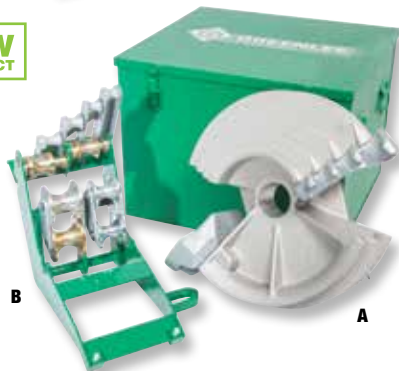
## 1/2" – 2" EMT Shoe Groups

**NEW PRODUCT**



KEY	CAT. NO.	UPC NO.	DESCRIPTION
	13934	01320	EMT Shoe Group, 1/2" to 2" (555CX/DX)
A	02543	02543	1/2" to 2" Bending Shoe
B	02567	02567	1/2" to 2" Roller Support
C	13857	13857	1-1/2" and 2" EMT Squeeze Roller
	1723	23818	Metal Storage Box

**NEW PRODUCT**



KEY	CAT. NO.	UPC NO.	DESCRIPTION
	23803	01322	EMT Shoe Group, 1/2" to 2" (555C)
A	02543	02543	1/2" to 2" Bending Shoe
B	02544	02544	1/2" to 2" Roller Support
	1723	23818	Metal Storage Box



## 1/2" – 2" 40 MIL PVC-Coated Rigid Shoe Group

**NEW PRODUCT**



KEY	CAT. NO.	UPC NO.	DESCRIPTION
	12586	01321	Shoe Group, 1/2" to 2" PVC Coated Rigid (555 Series)
A	02553	02553	1/2" to 2" Bending Shoe
B	02554	02554	1/2" to 2" Roller Support
	1723	23818	Metal Storage Box
	12582	12582	Shoe Group, 1/2" – 2" PVC Coated Rigid (855GX)
	02840	02840	Shoe Group, 1/2" – 2" PVC Coated Rigid (854DX)

## Shotgun Shoe for 555 Benders

**NEW PRODUCT**



**UNIQUE NESTED GROOVE DESIGN**

**PRODUCTIVE.**  
BEND UP TO 4 PIECES OF CONDUIT AT THE SAME TIME

**VERSATILE.**  
1 SHOE BENDS 8 CONDUIT TYPES

- RIGID: 1/2", 3/4", 1"
- IMC: 1/2", 3/4", 1"
- EMT: 3/4", 1"

**LIGHTWEIGHT.**  
EASILY TRANSPORTED TO BE USED IN PRE-FABRICATION SHOPS AND JOB-SITES

- Works with Greenlee 555 Series electric benders
- Adjust length indicator to set different heights for stubs and kicks
- Up to 2X faster bend cycle time – Pays for itself in less than 1 year\*

\* Based on an estimated labor rate (\$100/hr) and conduit usage



**VIDEO**

A PRODUCT VIDEO IS AVAILABLE, SCAN THIS QR CODE OR VISIT:  
[www.youtube.com/GreenleeDEMO](http://www.youtube.com/GreenleeDEMO)

KEY	CAT. NO.	UPC NO.	DESCRIPTION
	SG4	02419	Shotgun Shoe for 555 Series
A	02466	02466	Bending Shoe
B	02467	02467	Roller Support Unit
C	02465	02465	Hook Assembly
D	02582	02582	Length Indicator (includes long & short clamp)
	1723	23818	Metal Storage Box

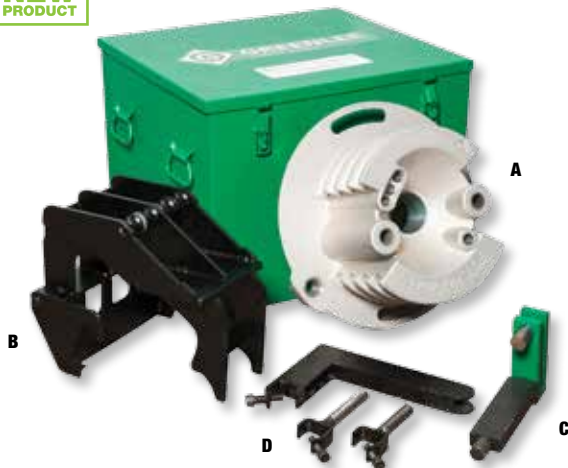
### SHOTGUN SHOE BENDING RADII

CONDUIT SIZE	CONDUIT TYPE	INCHES	MM
3/4"	EMT	5	127.0
1"	EMT	6-1/4	158.8
1/2"	IMC/Rigid	5	127.0
3/4"	IMC/Rigid	6-1/4	158.8
1"	IMC/Rigid	5-3/4	146.0



## Shotgun Shoe for 854DX Benders

**NEW  
PRODUCT**



### VERSATILE. 1 SHOE BENDS 8 CONDUIT TYPES

- RIGID: 1/2", 3/4", 1"
- IMC: 1/2", 3/4", 1"
- EMT: 3/4", 1"

- Works with Greenlee's 854DX Electric Bender
  - Adjust length indicator to set different heights for stubs and kicks
  - Up to 2X faster bend cycle time – pays for itself in less than 1 year\*
- \* Based on an estimated labor rate (\$100/hr) and conduit usage

KEY	CAT. NO.	UPC NO.	DESCRIPTION
	SG4-854	04034	Shotgun Shoe for 854DX
A	04027	04027	Bending Shoe
B	04028	04028	Roller Support Unit
C	02465	02465	Hook Assembly
D	04029	04029	Length Indicator (Includes long & short clamp)
	1723	23818	Metal Storage Box
	04030	04030	Adapter Kit (Includes Roller Support, Length Indicator, and mounting hardware)

#### SHOTGUN SHOE BENDING RADII

CONDUIT SIZE	CONDUIT TYPE	INCHES	MM
3/4"	EMT	5	127.0
1"	EMT	6-1/4	158.8
1/2"	IMC/Rigid	5	127.0
3/4"	IMC/Rigid	6-1/4	158.8
1"	IMC/Rigid	5-3/4	146.0

### ALREADY OWN A SHOTGUN SHOE FOR A 555 BENDER?

**THE 04030 ADAPTER KIT IS ALL YOU  
NEED TO USE YOUR EXISTING SHOE  
ON THE 854DX BENDER.**

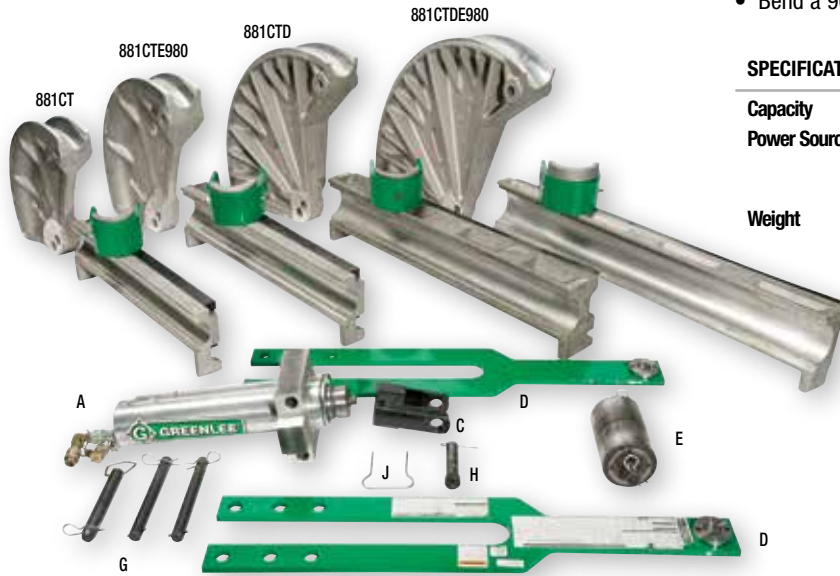


04030 Adapter Kit

# HYDRAULIC BENDERS

**Cam Track® Conduit Benders for 2-1/2" to 4" EMT, IMC and Rigid**

- One bender to bend EMT, IMC and Rigid Conduit
- Fast and easy setup on the job site
- True One-Shot 90° bends with CT models for quick accurate bends.
- Steel reinforced follow bars for long life
- Bend a 90° elbow in 4" Rigid conduit in 95 seconds



**SPECIFICATIONS**

**Capacity** 2-1/2" - 4" EMT, IMC and Rigid  
**Power Source** 980: 120 VAC Electric Powered Hydraulic Pump  
 980-22PS: 220 VAC 50/60 Cycle Electric Powered Hydraulic Pump  
**Weight** 881MBT: 300 LBS (136kg)  
 881CTE980: 1026 LBS (465 kg)  
 881CTDE980: 999 LBS (454 kg)



NOTE: See next page for parts associated with the Cam Track®

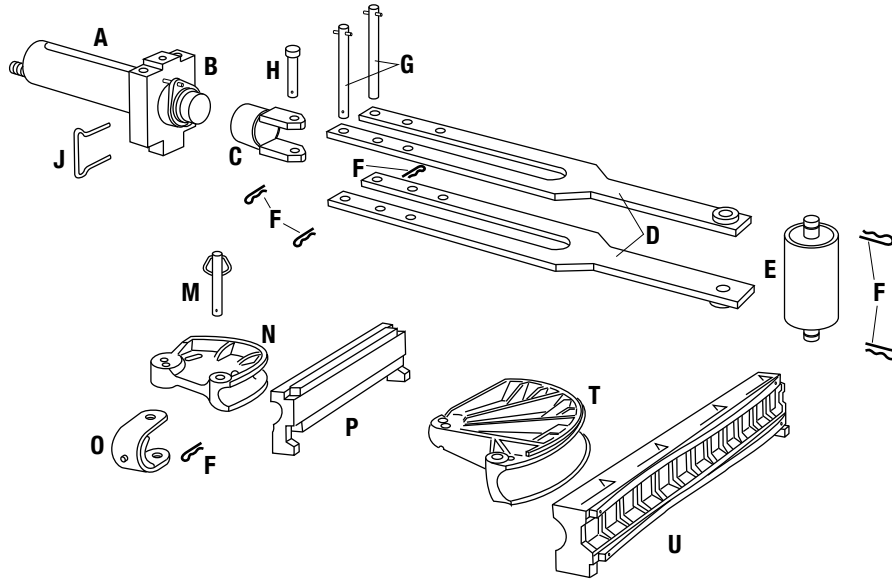
**SPECIFICATIONS**

**881 CT, 881 CTD, 881 BASIC**

SIZE	Center line Radius	Shoe Group	Degree of Bend
2-1/2"	13-1/2" (342.9 mm)	27554	90
3"	16" (406.4 mm)	27555	90
3-1/2"	18-5/8" (473.1 mm)	31281	90
4"	20-7/8" (530.2 mm)	31274	90

CAT. NO.	UPC NO.	DESCRIPTION
881CT	31287	Cam Track Conduit Bender for One-Shot 90° Bends in 2-1/2", 3", 3-1/2" and 4" EMT, IMC and Rigid conduit, without hydraulic pump
881CTE980	34208	Cam Track Conduit Bender for One-Shot 90° Bends in 2-1/2", 3", 3-1/2" and 4" EMT, IMC and Rigid conduit, with 980 Electric Hydraulic Pump
881CTD	38466	Cam Track Conduit Bender for One-Shot 90° Bends in 2-1/2", 3" and 4" EMT, IMC and Rigid conduit, without hydraulic pump & 3-1/2" shoe group
881CTDE980	38467	Cam Track Conduit Bender for One-Shot 90° Bends in 2-1/2", 3" and 4" EMT, IMC and Rigid conduit, with 980 Electric Hydraulic Pump, without 3-1/2" shoe group
A 27554	27554	2-1/2" - One-Shot 90° EMT, IMC, Rigid Shoe Group
A 27555	27555	3" - One-Shot 90° EMT, IMC, Rigid Shoe Group
A 31281	31281	3-1/2" - One-Shot 90° EMT, IMC, Rigid Shoe Group
A 31274	31274	4" - One-Shot 90° EMT, IMC, Rigid Shoe Group

# Cam Track® Benders and Shoe Groups



KEY	CAT. NO.	UPC NO.	DESCRIPTION	BENDERS			SHOE GROUPS			
				881BASIC	881CT	881CTD	27554	27555	31281	31274
A	27416	27416	40-Ton Hydraulic Ram with 4018GB female quick coupler. The ram includes Keys B, G, and two clips from Key F	1	1	1				
B	27417	27417	Cylinder Block	1	1	1				
C	30309	30309	Yoke	1	1	1				
D	26309	26309	Connecting Bar Unit	2	2	2				
E	27364	27364	Roller Unit	1	1	1				
F	2725AA	50302	Hitch Pin Clips (10 pack)	6	6	6				
G	27381	27381	Cylinder Block Pin Unit	2	2	2				
H	26306	26306	Yoke Pin	1	1	1				
J	26349	26349	Spring Clip (secures Yoke Unit to Ram)	1	1	1				
	11289	11289	3/8" x 6' (9.5 x 1829 mm) Hydraulic Hose with two 4033GB male quick couplers (not shown)	1	1	1				
M	26624	26624	Saddle Pin Unit - includes 1 clip from Key F	1	1	1				
N	26297	26297	2-1/2" Shoe 90°		1	1	1			
P	26366	26366	2-1/2" Follow Bar 90°		1	1	1			
O	26580	26580	2-1/2" Saddle		1	1	1			
N	26300	26300	3" Shoe 90°		1	1		1		
P	35400	35400	3" Follow Bar 90°		1	1		1		
O	26584	26584	3" Saddle		1	1		1		
O	26588	26588	3-1/2" Saddle		1					1
T	31882	31882	3-1/2" Shoe 90°		1					1
U	31881	31881	3-1/2" Follow Bar 90°		1					1
O	26594	26594	4" Saddle		1	1				1
T	31884	31884	4" Shoe 90°		1	1				1
U	31883	31883	4" Follow Bar 90°		1	1				1
	2460	23363	Steel Storage Box (not shown)	1	1	1				
	696	15341	Caster Set (not shown)	1	1	1				

## 881-MBT Mobile Bending Table for 881 Series



881-MBT



A PRODUCT VIDEO IS AVAILABLE, SCAN THIS QR CODE OR VISIT:  
[www.youtube.com/GreenleeDEMO](http://www.youtube.com/GreenleeDEMO)

### SPECIFICATIONS

Weight	300 LBS (136kg)
Weight Of Table With All Components	1326 LBS (601.5kg)
Length Of Table	67" (1.7m)
Overall Height:	
With Pump	41" (1.04m)
Without Pump	35" (0.89m)
Overall Width	31 1/2" (0.8m)

**1- TIME SETUP.**  
**SAVE 1 HOUR WITH EVERY MOVE!**

**COMPLETE MOBILITY.**  
**MINIMIZES MATERIAL HANDLING**

- Bend conduit where needed for installation (4" x 10' Rigid conduit weighs 100 LBS)
- Minimize repetitive lifting of bender components reducing fatigue on back

**ON-BOARD STORAGE.**  
**BECAUSE SPACE IS A PREMIUM**

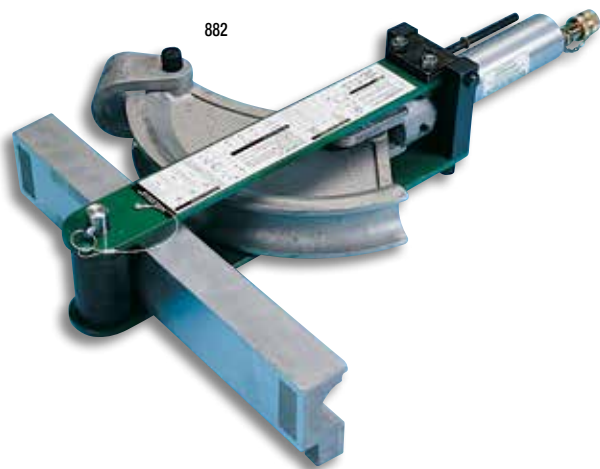
- All components pin to the table, reducing component loss and for convenient transport from site to site

CAT. NO.	UPC NO.	DESCRIPTION
881-MBT	00903	Mobile Bending Table
27554	27554	2-1/2" - One-Shot 90° EMT, IMC, Rigid Shoe Group
27555	27555	3" - One-Shot 90° EMT, IMC, Rigid Shoe Group
31281	31281	3-1/2" - One-Shot 90° EMT, IMC, Rigid Shoe Group
31274	31274	4" - One-Shot 90° EMT, IMC, Rigid Shoe Group





## Flip-Top® Benders for 1-1/4" - 2" EMT, IMC and Rigid



- Choose 882 for EMT or 882CB models for EMT, IMC and Rigid Conduit
- Simple, accurate and easy to use
- Flip-Top hinged frame top plate opens for easy, fast loading and unloading
- Ram travel scale and charts for accurate bends, offsets and saddles

### SPECIFICATIONS

<b>Capacity</b>	882-1-1/4", 1-1/2" and 2" EMT 882CB-1-1/4", 1-1/2" and 2" EMT, IMC and Rigid
<b>Power Source</b>	755- Hydraulic Hand Pump 975- 120 VAC Electric Hydraulic Pump 976-22PS- 220 VAC 50/60 Cycle Electric Hydraulic Pump
<b>Weight</b>	882-141 LBS(64 kg) 882H755- 161 LBS(73 kg) 882CBH755- 217 LBS(99 kg) 882CBE975- 264 LBS(120 kg) 882E975- 195 LBS(89 kg) 882CB- 205 LBS(93 kg)

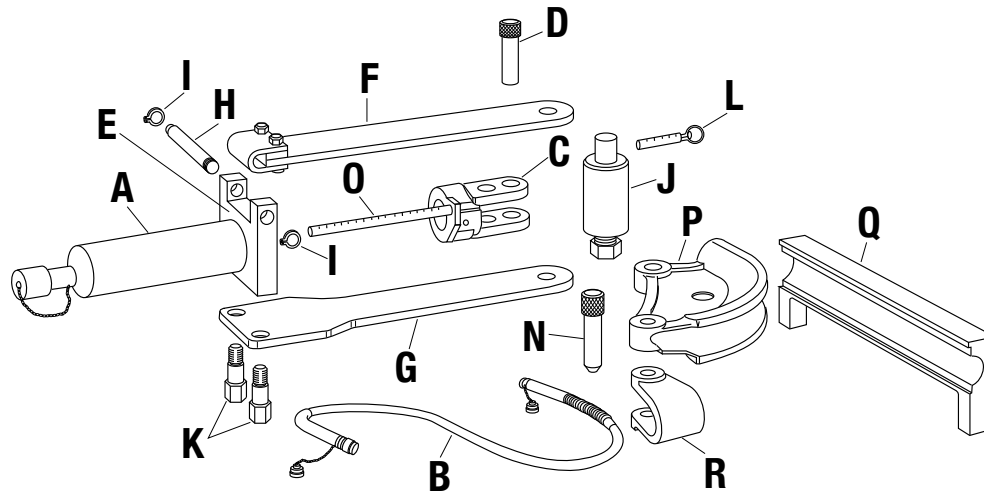
### FLIP-TOP® BENDER CENTERLINE BENDING RADII

SIZE	882, 882CB		882CB
	EMT	RIGID	IMC
1-1/4"	7-7/32" (183.4 mm)	7-1/4" (184.2 mm)	7-1/4" (184.2 mm)
1-1/2"	8-1/16" (204.8 mm)	8-1/4" (209.5 mm)	8-1/4" (209.5 mm)
2"	9-5/16" (236.5 mm)	8-7/8" (225.4 mm)	8-7/8" (225.4 mm)

CAT. NO.	UPC NO.	DESCRIPTION
882	15128	Flip-Top Bender for 1-1/4", 1-1/2" and 2" EMT Conduit without Hydraulic Pump
882CB	29536	Flip-Top Bender with shoes for 1-1/4", 1-1/2" and 2" EMT, IMC and Rigid Conduit without Hydraulic Pump
882CBH755	29537	Flip-Top Bender with shoes for 1-1/4", 1-1/2" and 2" EMT, IMC and Rigid Conduit with 755 Hand Hydraulic Pump
882CBE975	34202	Flip-Top Bender with shoes for 1-1/4", 1-1/2" and 2" EMT, IMC and Rigid Conduit with 975 Electric Hydraulic Pump
882H755	16460	Flip-Top Bender for 1-1/4", 1-1/2" and 2" EMT Conduit with 755 Hand Hydraulic Pump
882E975	34201	Flip-Top Bender for 1-1/4", 1-1/2" and 2" EMT Conduit with 975 Electric Hydraulic Pump
<b>A</b> 882RIG1	29948	Conversion Attachment Set - Converts 882 to 882CB by adding the shoes, follow bars and saddles for 1-1/4", 1-1/2" and 2" IMC and Rigid Conduit

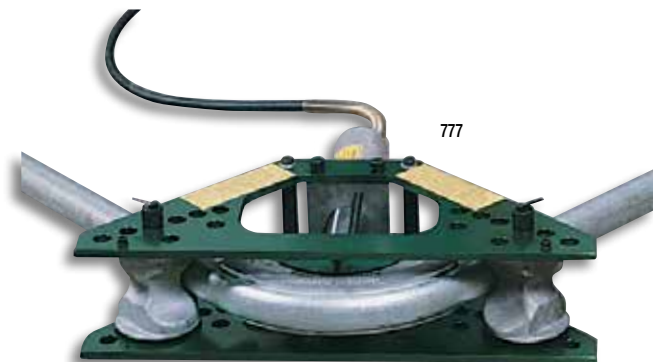
NOTE: See next page for parts associated with the Flip-Top® Benders

## Flip-Top® Benders and Shoe Groups



KEY	CAT. NO.	UPC NO.	DESCRIPTION	BENDERS		SHOE GROUP
				882	882CB	882RIG1
A	1738	15129	12-Ton Hydraulic Ram with 4018GB female quick Coupler	1	1	
B	11289	11289	3/8" x 6' (9.5 x 1829 mm) Hydraulic Hose with two 4033GB male quick couplers	1	1	
C	15145	15145	Yoke	1	1	
D	794AV	04086	Yoke Pin	1	1	
E	16563	16563	Frame Unit (includes F thru K)	1	1	
F	15136	15136	Upper Connecting Plate Unit	1	1	
G	15135	15135	Lower Connecting Plate Unit	1	1	
H	15150	15150	Hinge Pin	1	1	
I	50283	50283	Retaining Ring	2	2	
J	38778	38778	Roller Unit with pin (L)	1	1	
K	15147	15147	Anchor Stud	2	2	
L	54303	54303	Hitch Pin, 3/8 x 1-1/2	1	1	1
N	29937	29937	Saddle Pin	1		
O	4090GB	50848	Scale Jam Nut			
O	52867	52867	Scale O-Ring			
O	21954	21954	Scale Piston	1	1	
	1531	23274	Steel Storage Box (not shown)	1	1	
P	11146	11146	1-1/4" EMT Shoe	1	1	
Q	11126	11126	1-1/4" EMT Follow Bar	1	1	
R	11075	11075	1-1/4" EMT Saddle	1	1	
P	14287	14287	1-1/2" EMT Shoe	1	1	
Q	11107	11107	1-1/2" EMT Follow Bar	1	1	
R	11072	11072	1-1/2" EMT Saddle	1	1	
P	11132	11132	2" EMT Shoe	1	1	
Q	11089	11089	2" EMT Follow Bar	1	1	
R	14279	14279	2" EMT Saddle	1	1	
P	29474	29474	1-1/4" IMC and Rigid Shoe		1	1
Q	29477	29477	1-1/4" IMC and Rigid Follow Bar		1	1
R	29465	29465	1-1/4" IMC and Rigid Saddle		1	1
P	29470	29470	1-1/2" IMC and Rigid Shoe		1	1
Q	29472	29472	1-1/2" IMC and Rigid Follow Bar		1	1
R	29464	29464	1-1/2" IMC and Rigid Saddle		1	1
P	29466	29466	2" IMC and Rigid Shoe		1	1
Q	29468	29468	2" IMC and Rigid Follow Bar		1	1
R	29463	29463	2" IMC and Rigid Saddle		1	1

## Rigid Conduit Bender for 1-1/4" - 2" One-Shot 90°s and 2-1/2" - 4" Segment Bending



- Strong, portable pin-assembled aluminum components
- Easy-to-use ram travel scale and bending charts
- Conduit supports index to suit all sizes

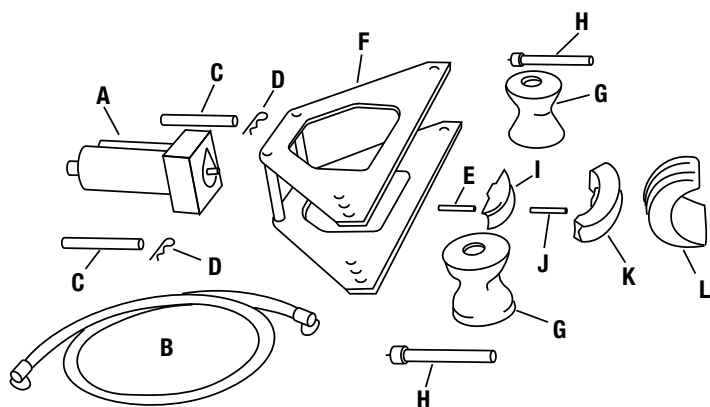
### SPECIFICATIONS

<b>Capacity</b>	1-1/4" - 4" Rigid Conduit
<b>Power Source</b>	755: Hydraulic Hand Pump 975: 120 VAC Electric Hydraulic Pump 980: 120 VAC Electric Hydraulic Pump
<b>Weight</b>	777: 164 LBS (75 kg) 777HC755: 173 LBS (79 kg) 777E975: 508 LBS (231 kg)

CAT. NO.	UPC NO.	DESCRIPTION
777	16491	1-1/4" through 2" One-Shot and 2-1/2" through 4" Segment, Rigid Conduit Bender without hydraulic pump
777HC755	16470	1-1/4" through 2" One-Shot and 2-1/2" through 4" Segment, Rigid Conduit Bender with 755 Hand Hydraulic Pump
777E975	34198	1-1/4" through 2" One-Shot and 2-1/2" through 4" Segment, Rigid Conduit Bender with 975 Electric Hydraulic Pump
<b>A</b> 1802	21257	Bending Table (Optional)
<b>A</b> 21359	21359	Conduit Support Pin for use with 1802 Bending Table - (2) Required

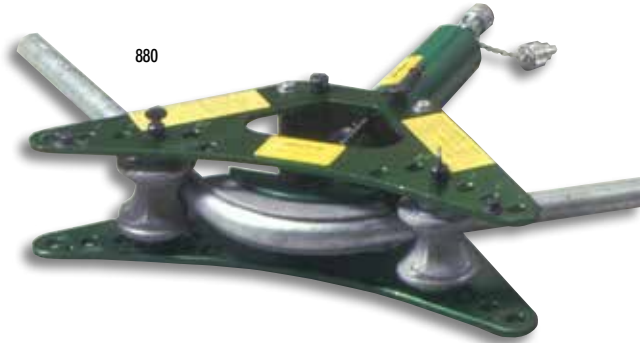
### CENTERLINE BENDING RADII FOR 777 BENDERS

Rigid Shoe Size	1-1/4"	1-1/2"	2"	2-1/2"	3"	3-1/2"	4"
<b>Bending Radius-Inches</b>	7-1/4"	8-1/4"	9-1/2"	11-7/16"	13-3/4"	16"	18-1/4"
<b>Bending Radius-mm</b>	184.1	209.5	241.3	290.5	349.3	406.4	463.6



KEY	CAT. NO.	UPC NO.	DESCRIPTION	777
A	1736	13251	27-Ton Hydraulic Ram with 4018GB female quick coupler, includes Keys C thru E	1
B	11289	11289	3/8" x 6' (9.5 x 1829 mm) Hose with two 4033GB male quick couplers	1
C	13252	13252	Cylinder Head Pin Unit with Spring Clip 2725AA (Key D)	2
D	50302	50302	Spring Clip	2
E	10826	10826	Ram Pin	1
F	13232	13232	Frame Unit	1
G	13193	13193	Conduit Support	2
H	14496	14496	Conduit Support Pin	2
I	10939	10939	Small Shoe Support 1/2" thru 2"	1
J	10826	10826	Shoe Pin	1
K			<b>90° Aluminum Bending Shoes</b>	
	10920	10920	1-1/4" Shoe	1
	10921	10921	1-1/2" Shoe	1
	10922	10922	2" Shoe	1
L			<b>Aluminum Segment Bending Shoes</b>	
	13208	13208	2-1/2" Shoe	1
	13209	13209	3" Shoe	1
	13210	13210	3-1/2" Shoe	1
	13211	13211	4" Shoe	1
	13382	13382	Steel Storage Box (not shown)	1





## Rigid Conduit Bender for 1/2", 3/4", 1", 1-1/4", 1-1/2" and 2"



- Strong, portable pin-assembled aluminum components
- Easy-to-use ram travel scale and bending charts
- Conduit supports index to suit all sizes

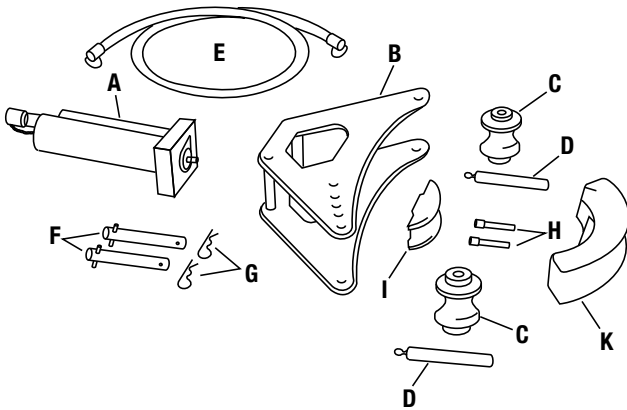
### SPECIFICATIONS

<b>Capacity</b>	880: 1" - 2" Rigid Conduit
<b>Power Source</b>	755: Hydraulic Hand Pump 975: 120 VAC Electric Hydraulic Pump 980: 120 VAC Electric Hydraulic Pump
<b>Weight</b>	880: 113 LBS (52 kg) 880H755: 135 LBS (61 kg) 880E975: 172 LBS (78 kg)

CAT. NO.	UPC NO.	DESCRIPTION
880	16480	1", 1-1/4", 1-1/2" and 2" Rigid Conduit Bender without hydraulic pump
880H755	16464	1", 1-1/4", 1-1/2" and 2" Rigid Conduit Bender with 755 Hand Hydraulic Pump
880E975	34200	1", 1-1/4", 1-1/2" and 2" Rigid Conduit Bender with 975 Electric Hydraulic Pump
 1802	21257	Bending Table (Optional)
 21357	21357	Conduit Support Pin for use with 1802 Bending Table - (2) Required
 10917	10917	1/2" Shoe (Optional)
 10918	10918	3/4" Shoe (Optional)

### CENTERLINE BENDING RADII FOR 880 & 880 PVC BENDERS

Rigid Shoe Size	1/2"	3/4"	1"	1-1/4"	1-1/2"	2"
<b>Bending Radius-Inches</b>	4"	4-1/2"	5-3/4"	7-1/4"	8-1/4"	9-1/2"
<b>Bending Radius-cm</b>	10.16	11.43	14.60	18.41	20.95	24.13



KEY	CAT. NO.	UPC NO.	DESCRIPTION	880
A	747	16249	15-Ton Hydraulic Ram with 4018GB female quick coupler, includes Keys F, G and one H	1
B	2345AA	03396	Frame Unit	1
C	2349AA	03400	Conduit Support	2
D	13679	13679	Conduit Support Pin	2
E	11289	11289	3/8" x 6' (9.5 x 1829 mm) Hydraulic Hose with two 4033GB male quick couplers	1
F	15829	15829	Cylinder Head Pin Unit with Spring Clips 2725AA (Key G)	2
G	50302	50302	Spring Clips	2
H	10826	10826	Ram Pin, Shoe Pin	2
I	10939	10939	Shoe Support	1
K	10919	10919	1" Shoe - Rigid	1
K	10920	10920	1-1/4" Shoe - Rigid	1
K	10921	10921	1-1/2" Shoe - Rigid	1
K	10922	10922	2" Shoe - Rigid	1
	14909	14909	Steel Storage Box (not shown)	1



## Rigid Conduit Benders for One-Shot 90°s in 1-1/4" - 4" (5" with Segment Bending Shoe)



- Strong, yet lightweight, portable, pin-assembled aluminum components
- Easy-to-use ram travel scale and charts for accurate bends
- Make elbows, offsets and saddles
- Both 884 and 885 bend One-Shot 90°s in 1-1/4" - 4" Rigid conduit
- Optional shoes available to bend PVC-coated Rigid conduit\*
- Optional 1802 Bending Table available for easier operation

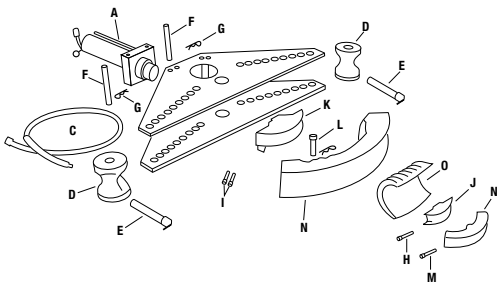
CAT. NO.	UPC NO.	DESCRIPTION
884	16477	1-1/4" through 4" Rigid Conduit Bender, without hydraulic pump
884E980	34209	1-1/4" through 4" Rigid Conduit Bender, with 980 Electric Hydraulic Pump
884PVC	33614	1-1/4", 1-1/2", 2", 3" and 4" PVC Coated Rigid Conduit Bender without hydraulic pump
885	16751	1-1/4" through 4" One-Shot and 5" Segment Rigid Conduit Bender, without hydraulic pump
885E980	34210	1-1/4" through 4" One-Shot and 5" Segment Rigid Conduit Bender, with 980 Electric Hydraulic Pump
<b>A</b> 1802	21257	Bending Table (optional)

*Shoes for 40 mil PVC Coated Rigid Conduit on page 150.*

### SPECIFICATIONS

Capacity	Weight
884: 1-1/4" - 4" Rigid conduit.	884: 421 LBS (191 kg)
884PVC: 1-1/4" - 4" 40 mil PVC Coated Rigid Conduit	884E980: 494 LBS (225 kg)
885: 1-1/4" - 5" Rigid Conduit	884PVC: 388 LBS (176 kg)
<b>Power Source</b>	885: 449 LBS (204 kg)
980: 120 VAC Electric Powered Hydraulic Pump	885E980: 527 LBS (239 kg)
980-22PS: 220 VAC 50/60 Cycle Electric Powered Hydraulic Pump	

## Rigid Conduit Benders for One-Shot 90°s in 1-1/4" - 4" (5" with Segment Bending Shoe)



### 884 & 885 CENTERLINE BENDING RADII

SIZE	Rigid	SIZE	PVC Rigid
1-1/4"	7-1/4" (184.1 mm)	1-1/4"	7-1/4" (184.1 mm)
1-1/2"	8-1/4" (209.5 mm)	1-1/2"	8-1/4" (209.5 mm)
2"	9-1/2" (241.3 mm)	2"	9-1/2" (241.3 mm)
2-1/2"	12-1/2" (317.5 mm)	2-1/2"	11-7/16" (290.5 mm)
3"	15" (381 mm)	3"	13-3/4" (349.3 mm)
3-1/2"	17-1/2" (444.5 mm)	3-1/2"	16" (406.4 mm)
4"	20" (508 mm)	4"	18-1/4" (463.5 mm)
5"	25" (635 mm)		
	(885 only)		

KEY	CAT. NO.	UPC NO.	DESCRIPTION	884	884PVC	885
A	1737	16752	27-Ton Hydraulic Ram with 4018GB female quick coupler, includes Keys F thru I.	1	1	1
C	11289	11289	3/8" x 6' (9.5 x 1829 mm) Hydraulic Hose with two 4033GB male quick couplers	1	1	1
D	15671	15671	Conduit Support	2		2
	33454	33454	Conduit Support (not shown)		2	
E	16747	16747	Conduit Support pin	2	2	2
F	16753	16753	Cylinder Head Pin Unit with Spring Clip 2725AA	2	2	2
G	50302	50302	Spring Clip	2	2	2
H	25184	25184	Ram Pin	1	1	1
I	10946	10946	Large Ram Pin	2	2	2
J	10939	10939	Small Shoe Support (1/2" through 2")	1	1	1
K	16741	16741	Large Shoe Support (2-1/2" through 4")	1	1	1
L	10963	10963	Large Shoe Pin	1	1	1
M	10826	10826	Small Shoe Pin	1	1	1
	2050	19811	Steel Storage Box (not shown)	1	1	1
N	10920	10920	1-1/4" Shoe - Rigid	1		1
N	10921	10921	1-1/2" Shoe - Rigid	1		1
N	10922	10922	2" Shoe - Rigid	1		1
N	10923	10923	2-1/2" Shoe - Rigid	1		1
N	10924	10924	3" Shoe - Rigid	1		1
N	10925	10925	3-1/2" Shoe - Rigid	1		1
N	14265	14265	4" Shoe - 20" centerline radius - Rigid	1		1
N	15669	15669	5" Shoe - Rigid			1
O	33459	33459	1-1/4" Shoe - PVC		1	
N	33463	33463	1-1/2" Shoe - PVC		1	
N	33462	33462	2" Shoe - PVC		1	
N	34340	34340	3" Shoe - PVC		1	
N	34344	34344	4" Shoe - PVC		1	
N	34329	34329	7/8" Wrench (not shown)		1	

## Accessories for Bending 40 Mil PVC-Coated Rigid Conduit for 880 and 884 Benders

884PVC



### BENDERS / PARTS

CAT. NO.	UPC NO.	DESCRIPTION
884PVC	33614	An 884 Bender with shoes, supports and wrench for bending 1-1/4", 1-1/2", 2", 3" and 4" 40 mil PVC Coated Rigid conduit. In a steel storage box. (See 884 Conduit Bender for details)

- Special size shoes and supports for bending 40 mil PVC-Coated Rigid conduit
- Two conduit supports to fit your bender are required. Shoes for 1-1/2" or larger have a cam device to force the conduit out of the shoe after bending; this requires a wrench to turn the cam

### SHOE UNITS

#### 40 MIL PVC COATED RIGID SIZE

CAT. NO.	UPC NO.	DESCRIPTION
1/2"	33456	33456 Shoe Unit 4" (101.6 mm) Centerline Radius
3/4"	33457	33457 Shoe Unit 4-1/2" (114.3 mm) Centerline Radius
1"	33458	33458 Shoe Unit 5-3/4" (146.1 mm) Centerline Radius
1-1/4"	33459	33459 Shoe Unit 7-1/4" (184.2 mm) Centerline Radius
1-1/2"	33463	33463 Shoe Unit 8-1/4" (209.6 mm) Centerline Radius
2"	33462	33462 Shoe Unit 9-1/2" (241.3 mm) Centerline Radius
2-1/2"	34321	34321 Shoe Unit 11-7/16" (290.5 mm) Centerline Radius
3"	34340	34340 Shoe Unit 13-3/4" (349.3 mm) Centerline Radius
3-1/2"	34342	34342 Shoe Unit 16" (406.4 mm) Centerline Radius
4"	34344	34344 Shoe Unit 18-1/4" (463.6 mm) Centerline Radius
—	33455	33455 880 Conduit Support – 2 Required
—	33454	33454 884 Conduit Support – 2 Required
—	34329	34329 7/8" Wrench. Use with 1-1/2" and larger shoes

## Bending Table (only) for 777, 880, 884 and 885 Rigid Conduit Benders



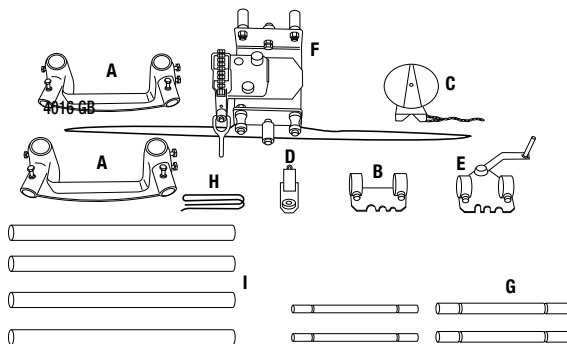
1802

Typical setup with bender (see note)  
Shown with 884 Bender and  
980 Pump

- Make bending easier, faster and more accurate
- Insert conduit to be bent in chain vise, tighten. Turn handle to move the chain vise and position conduit for bending
- Use the Bending Degree Protractor and the movable chain vise to advance conduit while making segment and other multi-shot large sweep bends
- Includes 1805 Bending Degree Protractor and metal storage box

CAT. NO.	UPC NO.	DESCRIPTION
1802	21257	Bending Table - includes pipe support pins for 884 or 885 Benders
21359	21359	Pipe support Pin for use with 777, 883 and 883-4 Benders, two (2) are required (Optional)
21357	21357	Pipe Support Pin for use with 880 Bender, two (2) are required (Optional)

NOTE: To complete setup as shown two ten-foot (3.04 m) lengths of 2" Rigid conduit and Bender are required (purchased separately).



KEY	CAT. NO.	UPC NO.	DESCRIPTION	1802
A	21541	21541	Leg Support Unit	2
B	21545	21545	Bender Bracket Unit	1
C	1805	1805	Bending Degree Protractor	1
D	21542	21542	Chain Idler Unit	1
E	21543	21543	Crank Bracket Unit	1
F	21544	21544	Pipe Vise Unit	1
G	21360	21360	Pipe Support Pin – 1-1/2" for 884 and 885 Bender	2
H	21413	21413	Chain Extension Kit	1
I	21346	21346	Legs	4
	1531	23274	Steel Storage Box (not shown)	1

### SPECIFICATIONS

Capacity	777, 880, 883, 884 and 885 Benders
Weight	180 LBS (82 kg)

## Chain-Type Pipe Vise



- Use with a wide range of sizes of pipe or conduit
- Built-in pipe rest
- To prevent marring of plastic or plastic coated pipe, vise jaws can be rotated with smooth side up - Use serrated side for harder materials
- Chain design holds pipe securely to prevent it from twisting or turning during threading

### SPECIFICATIONS

<b>Capacity</b>	1/8" - 5" (3.2 mm x 127 mm) pipe
<b>Weight</b>	17 LBS (7.7 kg)

CAT. NO.	UPC NO.	DESCRIPTION
467	27318	Chain-Type Pipe Vise

# HYDRAULIC PUMPS

## High-Pressure Hydraulic Hand Pump

755



- Portable and powerful, for use with Greenlee Benders
- Versatile, operates in any position
- Steel pump body and handle with rubber grip
- Wide base for stability
- Mounting holes for permanent positioning
- Includes 3/8" (9.5 mm) female hydraulic connector and dust cap

### SPECIFICATIONS

<b>Operation</b>	Manual – Hand
<b>Capacity</b>	10,000 psi (700 bar), .161 in <sup>3</sup> (26 mm <sup>3</sup> ) per stroke
<b>Length</b>	25-1/2" (648 mm)
<b>Width</b>	7" (178 mm)
<b>Height</b>	6" (152 mm)

CAT. NO.	UPC NO.	DESCRIPTION	WEIGHT	
			LBS	kg
755	15677	High-Pressure Hydraulic Hand Pump	18	8.2
<b>R</b> 18272	18272	Seal Kit		

NOTE: See page 107 to select the proper hydraulic hose for this pump.

## Hand-Operated Hydraulic Pump

7475H



- Two-speed hydraulic pump. Ideal for use with remote cutting and crimping tools
- Compact and lightweight – easy to move around job sites
- Solid base with wide legs provides for good stability during operation
- Built-in carrying handle
- Large, easy-to-grasp, retraction wheel
- Equipped with 3/8" female screw-type hydraulic coupler

### SPECIFICATIONS

<b>Max output pressure</b>	10,000 psi (700 bar)
<b>Useable oil capacity</b>	0.75 quart (0.74 liter)
<b>1st stage oil volume (200 psi)</b>	0.82 cu in/stroke
<b>2nd stage oil volume (10,000 psi)</b>	0.16 cu in/stroke
<b>Length (including coupler)</b>	25" (635 mm)
<b>Width</b>	5-5/8" (143 mm)
<b>Height</b>	5-1/2" (140 mm)

CAT. NO.	UPC NO.	DESCRIPTION
7475H	07475	Hand-Operated Hydraulic Pump
<b>R</b> 07829	07829	Seal Kit

NOTE: See page 107 to select the proper hydraulic hose for this pump.

## Electric Hydraulic Pump



975

- Useable oil volume: 3 quarts (2.8 liters)
- For use with Greenlee 2" capacity benders
- Automatic or manual ram-return selector valve provides more control from the pendant switch
- Molded enclosure protects pump, motor and circuitry in tough working environments
- Use with single-hose hydraulic systems with spring-return rams

### SPECIFICATIONS

<b>Operation</b>	120 VAC 1/2 HP (.375 kW)
<b>Capacity</b>	10,000 psi (700 bar); 250 inch <sub>3</sub> (4 L) per minute rapid advance; 18 inch <sub>3</sub> (.32 L) per minute at full pressure
<b>Length</b>	12" (305 mm)
<b>Width</b>	10" (254 mm)
<b>Height</b>	15-1/2" (394 mm)

CAT. NO.	UPC NO.	DESCRIPTION	WEIGHT	
			LBS	kg
975	33516	Electric Hydraulic Pump	51	23
 34369	34369	Seal Kit		

NOTE: See page 107 to select the proper hydraulic hose for this pump.

## Electric Hydraulic Pump




980

- Useable oil volume: 6 quarts (5.7 liters)
- For use with all Greenlee benders
- Handy pendant advance control on 980 and 980-22PS
- Low voltage pendant coupled to solid state motor controls eliminates contact arcing for greater reliability and longer life
- Automatic or manual ram return selector valve provides more control from the pendant switch
- Molded enclosure protects pump, motor and circuitry in tough working environments
- Use with single-hose hydraulic systems with spring-return rams

### SPECIFICATIONS

<b>Operation</b>	980 – 120 VAC 1-1/2 Hp (1.12 kW) 980-22PS – 220 VAC 50Hz 1-1/2 Hp (1.12 kW)
<b>Capacity</b>	10,000 psi (700 bar); 250 inch <sub>3</sub> (4 L) per minute rapid advance; 54 inch <sub>3</sub> (.9 L) per minute at full pressure
<b>Length</b>	12" (305 mm)
<b>Width</b>	12" (305 mm)
<b>Height</b>	17-1/2" (445 mm)

CAT. NO.	UPC NO.	DESCRIPTION	WEIGHT	
			LBS	KG
980	33515	Electric Hydraulic Pump with Pendant	71	32
980-22	36314	Electric Hydraulic Pump	71	32
980-22PS	36313	Electric Hydraulic Pump with Pendant Switch	71	32
 34369	34369	Seal Kit		

Note: 980-22 is 220V pump only, no control switch

Note: See page 107 to select the proper hydraulic hose for this pump.

## Hydraulic Oil



4016 GB

4017 GB

- Greenlee-approved hydraulic oil
- Specially compounded for use with Greenlee hydraulic equipment
- Refinery-filtered to give you the finest oil available

CAT. NO.	UPC NO.	DESCRIPTION	WEIGHT	
			LBS	KG
4016GB	51059	Hydraulic Oil – 1 Gallon (3.8 l)	8.5	3.9
4017GB	50806	Hydraulic Oil – 1 Quart (.9 l)	2.25	1.02

NOTE: For best operation of your Greenlee hydraulic-powered equipment, use Greenlee hydraulic oil only. (Do not use hydraulic brake fluid, shock absorber fluid, alcohol, glycerine, castor oil or other non-specified fluid—as they reduce performance and can cause damage to pumps and equipment.) Use of improper fluids waives the guarantee on Greenlee hydraulic equipment.

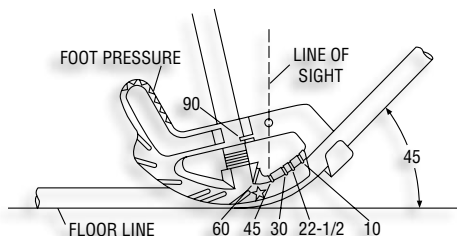


# HAND BENDERS

## SITE-RITE® Hand Benders for 1/2"-1 1/4" EMT and 1/2"-1" Rigid/IMC conduit



SITE-RITE® Aluminum Heads  
840A, 841A, 842A, 843A



- Superior, patented Site-Rite® sighting system featuring cast-in, readable markings on the bender heads and a finish that provides for the best visibility in low-light
- Choice of aluminum or iron alloy construction provides options depending on the user's preference for feel and weight
- Strong, stable square hook design
- 1-1/2" bender heads both offer the power pedal feature with a larger foot area on the head for greater control, stability and leverage
- 1/2", 3/4" & 1" bender heads all have enlarged foot pedals and increased toe room to ensure greater control, stability and leverage
- All the bender handles are a consistent diameter, offering a bigger grip area, while still straight up and down for fast 30 degree bends
- Lifetime Limited Warranty

### SPECIFICATIONS

EMT	Rigid IMC	Centerline RadII	Aluminum	Iron
1/2"		4-3/16" (106.5 mm)	840A, 840AH	840F, 840FH
3/4"	1/2"	5-1/8" (130.2 mm)	841A, 841AH	841F, 841FH
1"	3/4"	6-1/2" (165.1 mm)	842A, 842AH	842F, 842FH
1-1/4"	1"	9-5/8" (244.5 mm)	843A	843F

CAT. NO.	UPC NO.	DESCRIPTION	WEIGHT
840A	12810	Aluminum Hand Bender Head for 1/2" EMT	1.4 LBS (0.7 kg)
841A	12838	Aluminum Hand Bender Head for 3/4" EMT, 1/2" Rigid/IMC	2.1 LBS (0.9 kg)
842A	12839	Aluminum Hand Bender Head for 1" EMT, 3/4" Rigid/IMC	3.5 LBS (1.6 kg)
843A	12524	Aluminum Hand Bender Head for 1-1/4" EMT, 1" Rigid/IMC	8.3 LBS (3.8 kg)
840AH	12676	Aluminum Hand Bender Head with Handle for 1/2" EMT	5.5 LBS (2.5 kg)
841AH	12677	Aluminum Hand Bender Head with Handle for 3/4" EMT, 1/2" Rigid/IMC	6.4 LBS (2.9 kg)
842AH	12678	Aluminum Hand Bender Head with Handle for 1" EMT, 3/4" Rigid/IMC	11 LBS (5 kg)
840F	12831	Iron Hand Bender Head for 1/2" EMT 1	3.1 LBS (1.4 kg)
841F	12832	Iron Hand Bender Head for 3/4" EMT, 1/2" Rigid/IMC	4.3 LBS (2.0 kg)
842F	12833	Iron Hand Bender Head for 1" EMT, 3/4" Rigid/IMC	7.2 LBS (3.3 kg)
843F	12834	Iron Hand Bender Head for 1-1/4" EMT, 1" Rigid/IMC	16.2 LBS (7.3 kg)
840FH	12835	Iron Hand Bender Head with Handle for 1/2" EMT	7 LBS (3.2 kg)
841FH	12836	Iron Hand Bender Head with Handle for 3/4" EMT, 1/2" Rigid/IMC	9 LBS (4.1 kg)
842FH	12837	Iron Hand Bender Head with Handle for 1" EMT, 3/4" Rigid/IMC	15 LBS (6.8 kg)
84H1	12689	Handle for 1/2" & 3/4" Aluminum or Iron Hand Bender Heads	4.5 LBS (2.0 kg)
84H2	12690	Handle for 1" Aluminum or Iron Hand Bender Heads	7.3 LBS (3.3 kg)
84H3	12691	Handle for 1-1/4" Aluminum or Iron Hand Bender Heads	11.5 LBS (5.2 kg)

## HICKEYS with Welded Handles for 1/2" - 1" Rigid conduit



508

- Heavy-duty cast steel head
- Welded steel handle
- Bend tight radius stub-ups

CAT. NO.	UPC NO.	DESCRIPTION	WEIGHT
508	18102	Hickey for 1/2" Rigid	6.9 LBS (3.1 kg).
512	18103	Hickey for 3/4" Rigid	8 LBS (3.6 kg).
516	18104	Hickey for 1" Rigid	13 LBS (5.9 kg)

## Little Kicker® Offset Bender



1810

- Bends offsets in one easy operation. Insert conduit, depress handle, release and remove conduit
- Makes identical offsets every time for wall mounted boxes with exposed conduit
- Creates offset that matches the knockout in box
- Maximum offset of .56" (9/16)

### SPECIFICATIONS

<b>Capacity</b>	1810 – 1/2" EMT
	1811 – 3/4" EMT
<b>Weight</b>	1810 – 8.75 LBS (4 kg)
	1811 – 8.50 LBS (3.9 kg)

CAT. NO.	UPC NO.	DESCRIPTION
1810	13815	Offset Bender for 1/2" EMT
1811	14159	Offset Bender for 3/4" EMT



# MECHANICAL BENDERS

## Mechanical Benders for IMC and Rigid Conduit



1800

- Ratchet action for increased leverage
- Bypass the ratchet for fast, direct bending on smaller sizes
- Heavy-duty welded construction for long, reliable service
- Built-in bending degree indicator and easy to use bending charts for accurate, consistent bends
- Does not include handle\*

CAT. NO.	UPC NO.	DESCRIPTION
1800	24400	Mechanical Bender for 1/2", 3/4", 1" IMC and Rigid conduit
1800G1	24401	Mechanical Bender without undercarriage, for bench or truck bed mounting. Bends 1/2", 3/4", 1" IMC and Rigid conduit
1801	24753	Mechanical Bender for 1-1/4", 1-1/2" IMC and Rigid conduit
 08429	08429	Undercarriage Unit for 1800 and 1801
 19988	19988	Wheel, Non-flat

\*Use a 5' (1.5 m) length of 1" Rigid conduit for the handle.

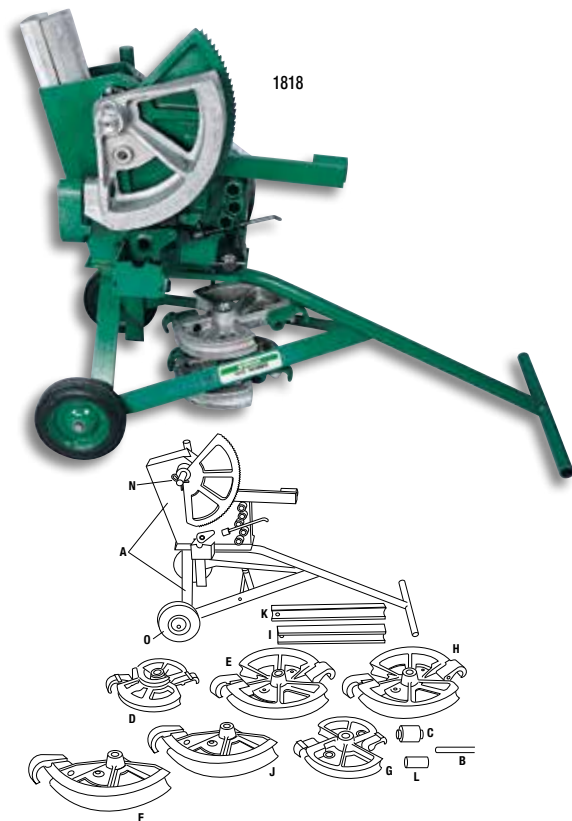
### SPECIFICATIONS

<b>Capacity</b>	1800, 1800G1 – 1/2", 3/4" and 1" IMC and Rigid.
	1801, – 1-1/4" and 1-1/2" IMC and Rigid
<b>Weight</b>	1800 – 81 LBS (36.7 kg)
	1800G1 – 48 LBS (21.8 kg)
	1801 – 104 LBS (47.2 kg)

### CENTERLINE BENDING RADII

<b>1800, 1800G1</b>	1/2" Rigid conduit 2-5/8" (66.7 mm)
	3/4" Rigid conduit 4-5/8" (117.5 mm)
	1" Rigid conduit 5-7/8" (149.2 mm)
<b>1801</b>	1-1/4" Rigid conduit 8-1/16" (204.8 mm)
	1-1/2" Rigid conduit 9-11/16" (246.1 mm)

## Mechanical Benders for EMT, IMC, Rigid and Aluminum Conduit



- Bends a wide variety of types and sizes of conduit
- Durable ratchet mechanism for easy bending
- Bypass the ratchet for fast, direct bending on smaller sizes
- Bending degree indicator and charts for fast, easy, accurate bending
- All shoe and bending accessories can be mounted to the frame unit and secured with a chain and lock
- Heavy-duty undercarriage with wheels
- Does not include handle\*

### SPECIFICATIONS

<b>Capacity</b>	EMT: 3/4" - 2"	Stainless Steel Rigid:
	Rigid: 1/2" - 1-1/2"	1/2" - 1-1/2"
	IMC: 1/2" - 1-1/4"	Stainless Steel EMT:
	Aluminum Rigid: 1/2" - 1-1/2"	3/4" - 1"
<b>Weight</b>	1818 - 250 LBS (114 kg)	
	1818T - 217 LBS (99 kg)	
	1818R - 185 LBS (84 kg)	

CAT. NO.	UPC NO.	DESCRIPTION
1818	22192	Mechanical Bender for 3/4" through 2" EMT conduit, 1/2" through 1-1/4" IMC conduit and 1/2" through 1-1/2" Rigid steel, aluminum and stainless steel conduit
1818R	20231	Mechanical Bender for 1/2" through 1-1/4" IMC conduit and 1/2" through 1-1/2" Rigid steel, aluminum and stainless steel conduit
1818T	20232	Mechanical Bender for 3/4" through 2" EMT conduit and 3/4" & 1" stainless steel EMT
08429	08429	Under Carriage Assembly
1818G1	22220	Basic Bender and Carriage Assembly (No Shoes)
19988	19988	Wheel, Non-flat



\*Use a 5' (1.5 m) length of 1" Rigid conduit for the handle.

KEY	CAT. NO.	UPC NO.	DESCRIPTION	BENDERS				SHOE GROUPS*		
				1818	1818R	1818T	1818G1	36905	36906	36907
A	1818G1	22220	Basic Bender and Carriage Assembly (No Shoes)	1	1	1	1			
B	36697	36697	Roller Pin Unit	1	1	1		1		1
C	18681	18681	Cushioned Roller Unit	1	1	1		1	1	1
D	18827	18827	1/2, 3/4 & 1" Rigid/IMC Shoe Unit	1	1			1	1	
E	18828	18828	1-1/4" Rigid/IMC; 1-1/2" Rigid Shoe Unit	1	1			1	1	
G	18830	18830	3/4 & 1" EMT Shoe Unit	1		1		1		1
H	18831	18831	1-1/4 & 1-1/2" EMT Shoe Unit	1		1		1		1
I	18642	18642	1-1/4 & 1-1/2" EMT Follow Bar	1		1		1		1
J	18832	18832	2" EMT Shoe Unit	1		1		1		1
K	18636	18636	2" EMT Follow Bar	1		1		1		1
L	36296	36296	Roller Follow Bar Guide	1		1		1		1
N	18772	18772	Retainer Clip	1	1	1		1	1	1
O	19988	19988	Wheel, Non-flat	2	2	2				
F	18829	18829	2" Rigid Aluminum Shoe Unit							
	1723	23818	Steel Storage Box For Shoe Units (not shown)					OPTIONAL		

\*SHOE GROUPS Reference chart for ordering bending accessories.

### CENTERLINE BENDING RADII

SHOE SIZE	INCHES	mm
1/2" Rigid/IMC	2-21/32"	67.5
3/4" Rigid/IMC	4-5/8"	117.5
3/4" EMT	5-3/32"	129.4
1" Rigid/IMC	5-7/8"	149.2
1" EMT	6-13/32"	162.7
1-1/4" Rigid/IMC	7-3/8"	187.3
1-1/4" EMT	8-9/32"	210.3
1-1/2" Rigid	9"	228.6
1-1/2" EMT	8-9/32"	210.3
2" EMT	9-3/16"	233.4
2" Aluminum	10-15/32"	265.9

# PVC HEATERS & BLANKETS

## PVC Bending Equipment Selection Guide

**PVC HEATING**

CAT. NO. – DESCRIPTION	PAGE NO.	1/2"	3/4"	1"	1-1/4"	1-1/2"	2"	2-1/2"	3"	3-1/2"	4"	5"	6"
<b>BLANKETS</b>													
860-1-1/2 PVC Heating Blanket	169	✓	✓	✓	✓	✓							
860-3 PVC Heating Blanket	169						✓	✓	✓				
860-4 PVC Heating Blanket	169									✓	✓		
<b>HEATERS</b>													
849 PVC Heater	170	✓	✓	✓	✓	✓	✓						
851 PVC Heater	170	✓	✓	✓	✓	✓	✓	✓	✓	✓	✓		
847 / 848 PVC Heater	170	✓	✓	✓	✓	✓	✓	✓	✓	✓	✓	✓	✓

### PVC Heating Blankets for up to 4", All Schedules

860-3



- Make bends, offsets or saddles in PVC fast and easy
- Easy to use: wrap blanket around PVC, secure with hook and loop strap
- Built-in stiffeners help keep the blanket tight to the PVC surface – remove blanket and form bend by hand
- Controlled, even heating for uniform bending
- Heavy-duty cord and thermostat for long life
- Temperature over 300° F (149° C)

**SPECIFICATIONS**

	860-1-1/2	860-3	860-4
<b>Capacity</b>	Up to 1-1/2" PVC All Schedules	2" - 3" PVC All Schedules	3-1/2" - 4" PVC All Schedules
<b>Power Source</b>	120 VAC	120 VAC	120 VAC
<b>Size</b>	13" x 8-1/4" (330.2 x 209.6 mm)	30" x 13-1/4" (762.0 x 336.6 mm)	38" x 16-1/4" (965.2 x 412.8 mm)
<b>Weight</b>	1.7 LBS (.8 kg)	3.3 LBS (1.5 kg)	4.9 LBS (2.2 kg)
<b>Wattage</b>	800	800	1300

CAT. NO.	UPC NO.	DESCRIPTION
860-1-1/2	31486	PVC Heating Blanket for up to 1-1/2"
860-3	31487	PVC Heating Blanket for 2"-3"
860-4	31488	PVC Heating Blanket for 3-1/2" and 4"



## Electric PVC Heater for 1/2" - 2", All Schedules



849

120 VAC  
20 AMP

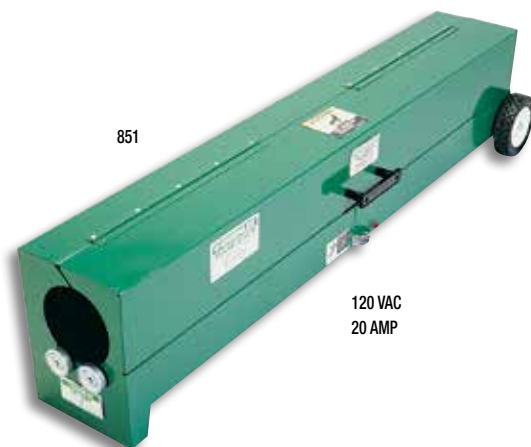
- Easy to use: preheat for 10 minutes, insert PVC, rotate until pliable, remove and form bend
- Sturdy double wall metal with fiberglass insulation and reflective interior for fast, even heat
- Full length door for easy PVC loading and removal
- Other features include on/off switch, pilot light and carrying handle
- Heats 24" Long section of pipe

### SPECIFICATIONS

<b>Capacity</b>	1/2" - 2" PVC All Schedules
<b>Power Source</b>	120 VAC 20 Amp or 3000 Watt Generator
<b>Weight</b>	15 LBS (6.8 kg)

CAT. NO.	UPC NO.	DESCRIPTION
849	27395	Electric PVC Heater for 1/2" - 2"
<b>R</b> 27811	27811	Calrod Heating Element

## Electric PVC Heater for 1/2" - 4", All Schedules



851

120 VAC  
20 AMP

- Easy to use: preheat for 10 minutes, open lid and position PVC, close lid, rotate until pliable, open lid, remove PVC and form bend
- Heavy-duty, insulated metal walls and cover with reflective interior for efficient, even heat
- Full-length door for easy loading and unloading
- On/off switch with indicator light
- Sturdy wheels for easy mobility
- Use two units in tandem to heat large sweep bends
- Heats 50" Long section of pipe

### SPECIFICATIONS

<b>Capacity</b>	1/2" - 4" PVC All Schedules
<b>Power Source</b>	120 VAC 20 Amp or 3600 Watt Generator
<b>Length</b>	52" (1321 mm)
<b>Weight</b>	53 LBS (24 kg)
<b>Wattage</b>	2300

CAT. NO.	UPC NO.	DESCRIPTION
851	35577	Electric PVC Heater for 1/2" - 4"
<b>R</b> 35592	35592	Calrod Heating Element

See page 168 for 2" - 4" PVC plugs or 859-4 Plug Set.

## Electric PVC Heater for 1/2" - 6", All Schedules



847

230 VAC  
30 AMP

- Easy to use: preheat for 10 minutes, open lid and position PVC, close lid, rotate until pliable, open lid, remove PVC and form bend. 848 model has motorized rotation
- Heavy-duty metal construction with reflective interior for fast, efficient heating
- Has heating chart, timer, and on/off switch with indicator light for added convenience
- Double doors with piano hinges allow heating shorter lengths with one door open
- Sturdy wheels for easy mobility
- Heats 65" Long section of pipe

### SPECIFICATIONS

<b>Capacity</b>	1/2" - 6" PVC All Schedules
<b>Power Source</b>	230 VAC 30 AMP or 7000 Watt Generator
<b>Length</b>	71" (1803 mm)
<b>Weight</b>	847 - 78 LBS (36 kg) 848 - 80 LBS (37 kg)
<b>Wattage</b>	6600

CAT. NO.	UPC NO.	DESCRIPTION
847	30866	Electric PVC Heater for 1/2"-6" All Schedules
848	30867	Electric PVC Heater with Motorized PVC Rotation for 1/2"-6" All Schedules
<b>A</b> 31092	31092	Motorized PVC rotation kit for 847
<b>A</b> 857	31093	PVC Roller Support (Optional)
<b>R</b> 30908	30908	Calrod Heating Element

# PVC ACCESSORIES

## PVC Plugs and Plug Set



- Use with PVC Heating Blankets or Electric Heaters to plug the ends of the PVC being heated. The trapped air will help keep the PVC from collapsing while forming the bend
- Use on Schedule 40 and 80 PVC
- Available in 2" - 4" set or individual sizes 2" - 6". Order two, one for each end of the PVC

### SPECIFICATIONS

<b>Capacity</b>	2" - 6" PVC Schedules 40 and 80
<b>Weight</b>	859-4 – 8 LBS (3.6 kg)
	30976 – .3 LBS (0.2kg)
	30977 – .4 LBS (0.2 kg)
	30978 – .4 LBS (0.2 kg)
	30979 – .6 LBS (3.6 kg)
	30980 – 1LBS (0.5 kg)
	30981 – 1.3 LBS (0.6 kg)

CAT. NO.	UPC NO.	DESCRIPTION
859-4	35740	PVC Plug Set for 2" - 4". Includes 2 each of 2", 2-1/2", 3" and 4" plugs and carrying case. Case has a place for optional 5" and 6" sizes.
30976	30976	2" PVC Plug
30977	30977	2-1/2" PVC Plug
30978	30978	3" and 3-1/2" PVC Plug
30979	30979	4" PVC Plug
30980	30980	5" PVC Plug
30981	30981	6" PVC Plug
31228	31228	Plastic Carrying Case

## PVC Cutter



- Cuts 3/4" schedule 40 PVC
- Cuts 1/8" - 1-3/8" (3-35mm) O.D. flexible plastic pipe
- Diecast aluminum alloy body for added strength and blade guide for square cuts
- Reversible blade for twice the life
- Handle latch for safety

### SPECIFICATIONS

<b>Capacity</b>	Up through 1-3/8" O.D. Flexible Plastic Pipe
<b>Weight</b>	0.36 LBS (0.16 kg)

CAT. NO.	UPC NO.	DESCRIPTION
862	89806	Plastic Pipe Cutter

## PVC Cutter for up to 1-1/4"



- Ratchet action for fast, easy cutting
- Heat-treated, replaceable steel blade for long cutting life
- Rugged metal alloy frame for durability

### SPECIFICATIONS

<b>Capacity</b>	Up thru 1-1/4" PVC
<b>Weight</b>	0.8 LBS (0.4 kg)

CAT. NO.	UPC NO.	DESCRIPTION
864	04253	PVC Cutter for up to 1-1/4"
00355	00355	Blade Kit

## PVC Cutter for up to 2"



- High-leverage compound ratchet action and long handles reduce effort
- Heavy-duty metal frame for cutting large diameters
- Sharpenable and replaceable tool steel blade

### SPECIFICATIONS

<b>Capacity</b>	Up thru 2" PVC
<b>Weight</b>	2.5 LBS (1.1 kg)

CAT. NO.	UPC NO.	DESCRIPTION
865	09865	PVC Cutter for up to 2"
07978	07978	Blade

# BENDER ACCESSORIES

## L97 Mini-Magnet Laser Level

L97



- Professional grade laser level
- Mini-torpedo design with handy “no-dog” attachment for bending
- Three rare-earth magnets provide superior holding strength
- Compact size with 80-plus yard range
- Laser is capable of working on all planes
- Four vial design - 0°, 90°, 45°, and 30°
- V-groove on bottom for mounting on curved surface
- Offsets and calculations permanently laser-engraved onto level
- Requires (2) "N" style batteries

### SPECIFICATIONS

<b>Length</b>	5-1/16" (143 mm)
<b>Width</b>	3/4" (19 mm)
<b>Weight</b>	7.3 oz with batteries
<b>Height</b>	1-13/16" (46 mm)

CAT. NO.	UPC NO.	DESCRIPTION
L97	03582	Laser, Level

## L77 Mini Magnetic Bubble Level

L77



- Professional grade level with bending offset aid
- Mini torpedo design with handy “no-dog” attachment for bending
- Three rare-earth magnets provide superior holding strength
- Four vial design - 0°, 90°, 45°, and 30°
- Machined from aluminum alloy and anodized to aircraft standards
- Compact size fits easily in tool pouch
- V-groove on bottom for mounting on curved surface

### SPECIFICATIONS

<b>Length</b>	5-1/2" (140 mm)
<b>Width</b>	3/4" (19 mm)
<b>Height</b>	1-1/2" (38 mm)

CAT. NO.	UPC NO.	DESCRIPTION
L77	11617	Mini Magnetic Bubble Level

## L107 Electrician's Torpedo Level

L107



- Professional grade level
- Four open vial ports for easy viewing from all sides
- Perfect for pipe and conduit work
- Four rare-earth magnets allow for hands-free use on metal surfaces
- Four vial design - 0°, 30°, 45°, and 90°
- Machined from aluminum alloy and anodized to aircraft standards
- V-groove on bottom for mounting on curved surface
- Offsets and calculations permanently laser-engraved onto level

### SPECIFICATIONS

<b>Length</b>	8-1/2" (215.9 mm)
<b>Width</b>	3/4" (19 mm)
<b>Weight</b>	5.5 oz
<b>Height</b>	1-1/4" (31.8 mm)

CAT. NO.	UPC NO.	DESCRIPTION
L107	03583	Level, Torpedo

## Protractor with Magnetic Base



1895

### SPECIFICATIONS

Weight 0.4 LBS (0.2 kg)

CAT. NO.	UPC NO.	DESCRIPTION
1895	35905	Angle Protractor with Magnetic Base

## Conduit Size Chart

Size	EMT ELECTRICAL METALLIC TUBING						IMC INTERMEDIATE CONDUIT						RIGID CONDUIT STEEL OR ALUMINUM					
	OUTSIDE DIA.		INSIDE DIA.		WALL THICKNESS		OUTSIDE DIA.		INSIDE DIA.		WALL THICKNESS		OUTSIDE DIA.		INSIDE DIA.		WALL THICKNESS	
	Inches	mm	Inches	mm	Inches	mm	Inches	mm	Inches	mm	Inches	mm	Inches	mm	Inches	mm	Inches	mm
1/2"	.706	17.9	.622	15.8	.042	1.1	.815	20.7	.675	17.1	.070	1.8	.840	21.3	.622	15.8	.109	2.8
3/4"	.922	23.4	.824	20.9	.049	1.3	1.029	26.1	.879	22.3	.075	1.9	1.050	26.7	.824	20.9	.113	2.9
1"	1.163	29.5	1.049	26.6	.057	1.5	1.290	32.8	1.120	28.4	.085	2.2	1.315	33.4	1.049	26.6	.133	3.4
1-1/4"	1.510	38.4	1.380	35.1	.065	1.7	1.638	41.6	1.468	37.3	.085	2.2	1.660	42.2	1.380	35.0	.140	3.6
1-1/2"	1.740	44.2	1.610	40.9	.065	1.7	1.883	47.8	1.703	43.3	.090	2.3	1.900	48.3	1.610	40.9	.145	3.7
2"	2.197	55.8	2.067	52.5	.065	1.7	2.360	59.9	2.170	55.1	.095	2.4	2.375	60.3	2.067	52.5	.154	3.9
2-1/2"	2.875	73.0	2.731	69.4	.072	1.8	2.857	72.6	2.597	66.0	.130	3.3	2.875	73.0	2.469	62.7	.203	5.2
3"	3.500	88.9	3.356	85.2	.072	1.9	3.476	88.3	3.216	81.7	.130	3.3	3.500	88.9	3.068	77.9	.216	5.5
3-1/2"	4.000	101.6	3.834	97.4	.083	2.1	3.971	100.9	3.711	94.3	.130	3.3	4.000	101.6	3.548	90.1	.226	5.7
4"	4.500	114.3	4.334	110.1	.083	2.1	4.466	113.4	4.206	106.8	.130	3.3	4.500	114.3	4.026	102.3	.237	6.0
5"	—	—	—	—	—	—	—	—	—	—	—	—	5.563	141.3	5.047	128.2	.258	6.5
6"	—	—	—	—	—	—	—	—	—	—	—	—	6.625	168.3	6.065	154.0	.280	7.1