

Hand-Operated Hydraulic Presses

Our most popular press model.

features

- **Hand operation** for economical performance.
- **Rapid ram return** starts as soon as release valve is opened and may be stopped at any point by closing the valve.
- **By-pass hole** prevents excessive ram extension.
- **Adjustable table** permits easy vertical movement by means of self-locking hoist.
- **Rapid screw traverse of ram** permits quick, easy movement of the ram by means of a convenient handwheel.
- **Movable workhead** is roller mounted on ball bearings for off-center positioning (except 25H).



Model 50H Shown

specifications

model	number	capacity
		tons
25H	07001	25
50H	07002	50
75H	07003	75
150H	07005	150

Specifications subject to change without notice.



For more information call 800-937-3253

models

25H

■ 25 ton capacity

50H

■ 50 ton capacity

75H

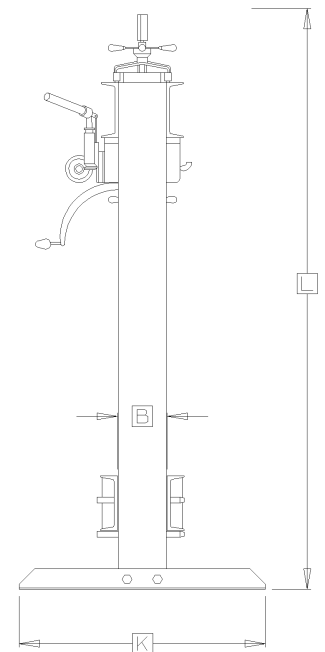
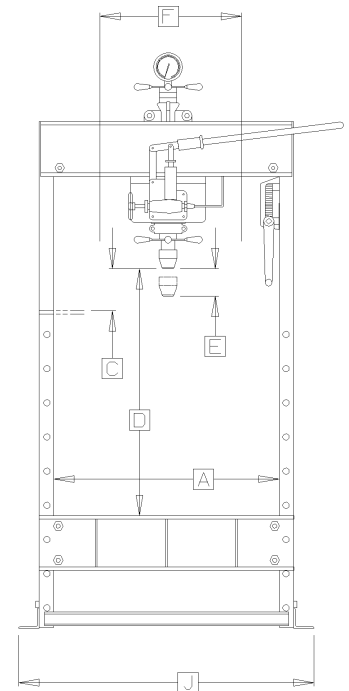
■ 75 ton capacity

150H

■ 150 ton capacity

standard equipment

- Frame
- Workhead
- Two forged steel V-blocks
- Two forged steel table plates
(25 ton model has two combination table plates with V-blocks)
- Flat ram nose
- V-ram nose *(N/A on 25 ton model)*
- Pressure gauge
- Self-locking table hoist



A	B	C	D	E	F	J x K	L		
width between uprights	width between table channels	minimum ram to table	maximum ram to table	ram travel	horizontal workhead travel	screw travel	base	height	weight
inches	inches	inches	inches	inches	inches	inches	inches	inches	pounds
33½	5 ³ / ₁₆	4	39	5		5	42½ x 30	76	450
32¾	7¼	5	40	4	20¾	7	43½ x 36	85	810
44	8¼	6	36	4½	29 ⁵ / ₈	7	55 x 36	87	1,245
48	12 ¹ / ₈	5	25	8	27¼	8	66 x 42	95	2,750

Air-Operated Hydraulic Presses

Takes all the physical effort out of hand pumping.
Can double pressing speed.

features

- **Air operation**
eliminates the need for hand pumping.
- **Rapid ram approach**
quickly moves ram to work to save production time.
- **Safety valve** protects against overloads.
- **Stroke indicator** ensures accurate ram control.
- **Movable workhead** is roller mounted on ball bearings for off-center work.
- **By-pass hole** eliminates excessive ram extension.
- **Dual air pumps**, for faster pressing speeds, available on some models.
- **Adjustable table** permits easy vertical movement by means of self-locking hoist.



Model 6-250 Shown

specifications

model	number	capacity	ram speed		number of pumps	air pressure
			tons	inches per minute advance press*		
6-225	06225	25	110	6	1	90-125
6-425	06425	25	100	10	2	90-125
6-250	06250	50	65	3	1	90-125
6-450	06450	50	55	5	2	90-125
6-275	06275	75	45	2	1	90-125
6-475	06475	75	40	3½	2	90-125
6-650	06650	150	25	1	1	90-125
6-850	06850	150	22	2	2	90-125
6-900	06900	200	22	2	2	90-125

*Slows Down Under Load

Specifications subject to change without notice.



For more information call 800-937-3253

models

6-225

- 25 ton capacity
- Single pump

6-425

- 25 ton capacity
- Dual pumps

6-250

- 50 ton capacity
- Single pump

6-450

- 50 ton capacity
- Dual pumps

6-275

- 75 ton capacity
- Single pump

6-475

- 75 ton capacity
- Dual pumps

6-650

- 150 ton capacity
- Single pump

6-850

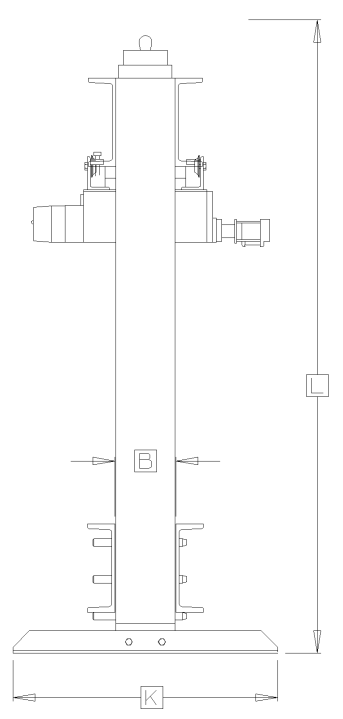
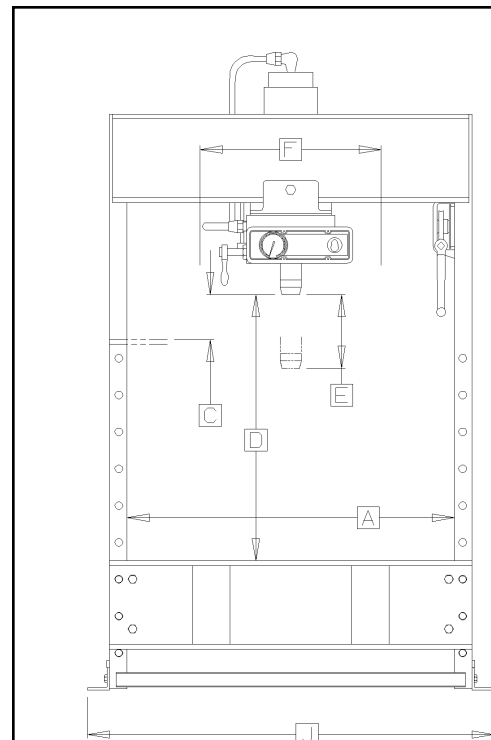
- 150 ton capacity
- Dual pumps

6-900

- 200 ton capacity
- Dual pumps

standard equipment

- Frame
- Workhead
- Two forged steel V-blocks
- Two forged steel table plates
- Flat ram nose
- V-ram nose (N/A on 25 ton model)
- Stroke indicator
- Pressure gauge
- Safety relief valve
- Self-locking table hoist



A	B	C	D	E	F	J x K	L	
width between uprights	width between table channels	minimum ram to table	maximum ram to table	ram travel	horizontal workhead travel	base	height	weight
inches	inches	inches	inches	inches	inches	inches	inches	pounds
33½	5¾	1	36	10	13½	42½ x 30	81	750
33½	5¾	1	36	10	13½	42½ x 30	81	800
32¾	7¼	5	40	10	13¼	43½ x 36	87	1,100
32¾	7¼	5	40	10	13¼	43½ x 36	87	1,150
44	8¼	6	36	10	24⅝	55 x 36	86	1,500
44	8¼	6	36	10	24⅝	55 x 36	86	1,550
48	12¼	10	30	16	21⅞	66 x 42	95	3,000
48	12¼	10	30	16	21⅞	66 x 42	95	3,050
48	18¼	6	30	16	21	64 x 48	100	4,380

Elec-draulic I Hydraulic Presses

An advanced design, single-acting press with fingertip control.

features

- **Electric operation** provides smooth, consistent pressing action.
- **Single-acting cylinder** provides fast, reliable pressing and internal spring return.
- **Rapid ram approach** quickly moves ram to work to save production time.
- **Variable ram speed** allows fingertip control of ram movement for precise pressure control.
- **Movable workhead** is roller mounted on ball bearings for off-center work.
- **Rapid ram return** starts ram return as soon as release valve is opened and may be stopped at any point by closing the valve.
- **Safety valve** protects against overloads.
- **Stroke indicator** ensures accurate ram control.
- **Adjustable table** permits easy vertical movement by means of self-locking hoist.



Model 5-075 Shown

specifications

model	number	capacity	horsepower	rpm	ram speed	
					tons	inches per minute advance press
5-025	05025	25	2	1,800	80	14
5-050	05050	50	2	1,800	40	7
5-075	05075	75	2	1,800	28	5
5-150	05150	150	2	1,800	16	2¾
5-200	05200	200	3	1,800	16	2¾

Specifications subject to change without notice.



For more information call 800-937-3253

models

5-025

■ 25 ton capacity

5-050

■ 50 ton capacity

5-075

■ 75 ton capacity

5-150

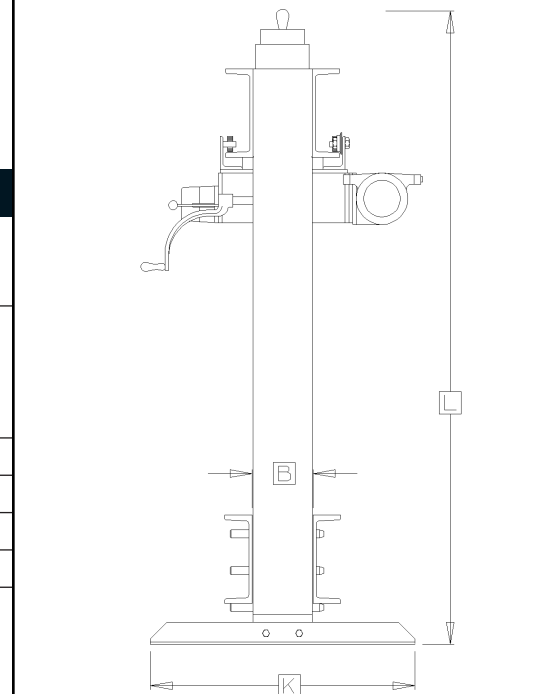
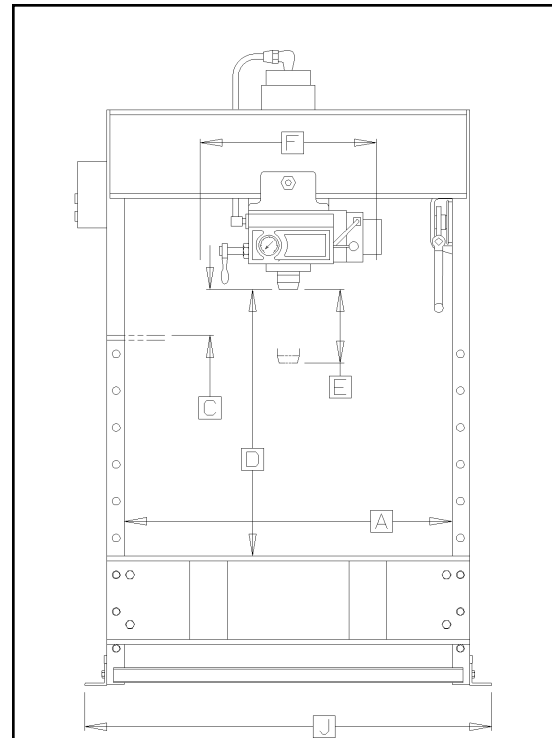
■ 150 ton capacity

5-200

■ 200 ton capacity

standard equipment

- Frame
- Workhead
- Two forged steel V-blocks
- Two forged steel table plates
- Flat ram nose
- V-ram nose
- Motor
2, 3 hp
230/460-3-60
- Stroke indicator
- Pressure gauge
- Safety relief valve
- Self-locking table hoist



A	B	C	D	E	F	J x K	L	
width between uprights	width between table channels	minimum ram to table	maximum ram to table	ram travel	horizontal workhead travel	base	height	weight
inches	inches	inches	inches	inches	inches	inches	inches	pounds
32 ³ / ₄	7 ¹ / ₄	5	40	10	14 ³ / ₈	43 ¹ / ₂ x 36	85	1,000
32 ³ / ₄	7 ¹ / ₄	5	40	10	14 ³ / ₈	43 ¹ / ₂ x 36	87	1,320
44	8 ¹ / ₄	6	36	10	24	55 ¹ / ₂ x 36	86	1,650
48	12 ¹ / ₄	10	30	16	24 ³ / ₄	66 x 42	95	3,000
48	18 ¹ / ₄	6	30	16	22 ¹ / ₈	64 x 48	100	4,380

Elec-draulic II Hydraulic Presses

For super-sensitive, double-acting ram control and simple operation.

features

- **Electric operation** provides smooth, consistent pressing action.
- **Double-acting cylinder** permits pulling as well as pressing ram action.
- **Variable ram speed** allows fingertip control of ram movement for precise pressure control.
- **Safety valve** protects against overloads.
- **H-frame mounted control** allows convenient control of press when workhead is out of operator's reach.
- **T-ring seals** prevent pressure loss.
- **Adjustable table** permits easy vertical movement by means of self-locking hoist.
- **Optional bolt flange** for tooling attachment may be substituted for flat ram nose.



Model 8-025 Shown

specifications

model	number	capacity		horsepower	rpm	ram speed	
		press	pull			press	return
8-025	08025	25	10	2	1,800	15	35
8-050	08050	50	18	2	1,800	8	22
8-075	08075	75	28	2	1,800	5	15
8-080	08080	75	28	10	1,800	30	80
8-150	08150	150	65	10	1,800	17	38
8-200	08200	200	78	7½	1,800	8	20

Specifications subject to change without notice.



For more information call 800-937-3253

models

8-025

■ 25 ton capacity

8-050

■ 50 ton capacity

8-075

■ 75 ton capacity

8-080

■ 75 ton capacity
 ■ Rapid ram approach and return

8-150

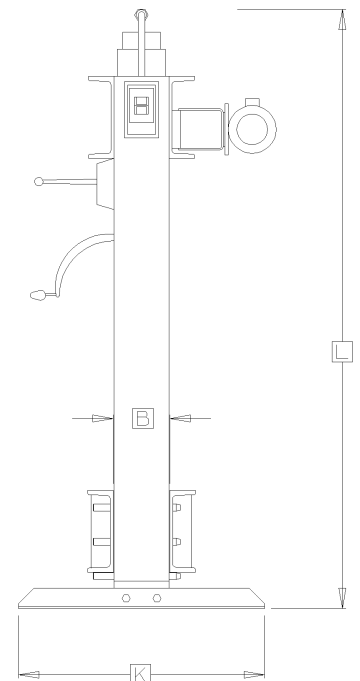
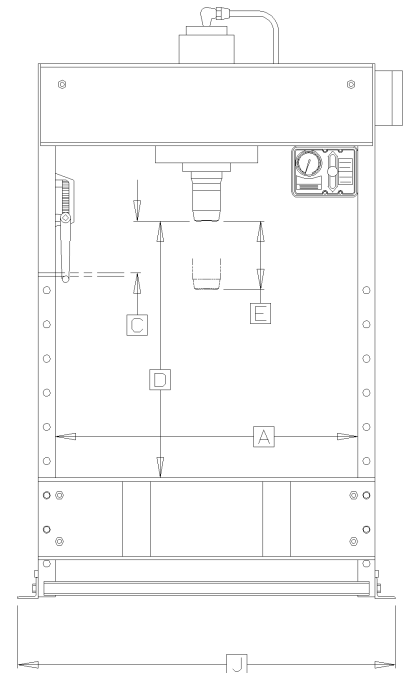
■ 150 ton capacity

8-200

■ 200 ton capacity

standard equipment

- Frame
- Double-acting workhead
- Two forged steel V-blocks
- Two forged steel table plates
- Flat ram nose
- Motor
2, 7½, 10hp
230/460-3-60
- Pump
- Pressure gauge
- Safety relief valve
- 4-way throttling valve
- Self-locking table hoist



A	B	C	D	E	J x K	L	
width between uprights	width between table channels	minimum ram to table	maximum ram to table	ram travel	base	height	weight
inches	inches	inches	inches	inches	inches	inches	pounds
32¾	7¼	11¾	46¾	10	43½ x 36	83	1,060
32¾	7¼	10⅞	45⅞	10	43½ x 36	86	1,360
44	8¼	7⅝	37⅝	10	55½ x 36	86	1,950
44	8¼	7⅝	37⅝	10	55½ x 36	86	2,100
48	12¼	11¾	31¾	16	66 x 42	95	3,620
48	18⅜	6	30	16	64 x 48	106	6,100

Hydraulic Tire Presses

Removes tires from wheels quickly and easily.

features

- **150 ton capacity** for handling large tires.
- **Large 7¾" ram** provides platen stability and longer seal life.
- **Upper movable head channel** provides 15" of travel for easy set-up.
- **Easily removable pins** allow head channel to be set in four different positions.
- **Pressing rings** in diameters and face widths for all standard tire sizes. Contact factory for availability.
- **Eliminates outside servicing delays** and truck downtime.



Model 33-587 Shown

specifications

model		capacity	motor horsepower	ram speed	
				tons	inches per minute advance
33-493	Electric Powered	150	2	2¾	gravity
33-587	Air Powered	150	—	1½*	gravity
33-400	Gasoline Powered	150	8¼	7½	gravity

*Air Unit Equipped with Rapid Advance—30 I.P.M. Pressing Speed Rated At No Load—Slows Down With Load.

**Limit Switch Stops Ram At End Of Stroke.

Specifications subject to change without notice.



For more information call 800-937-3253

models

33-493

■ electric powered

33-587

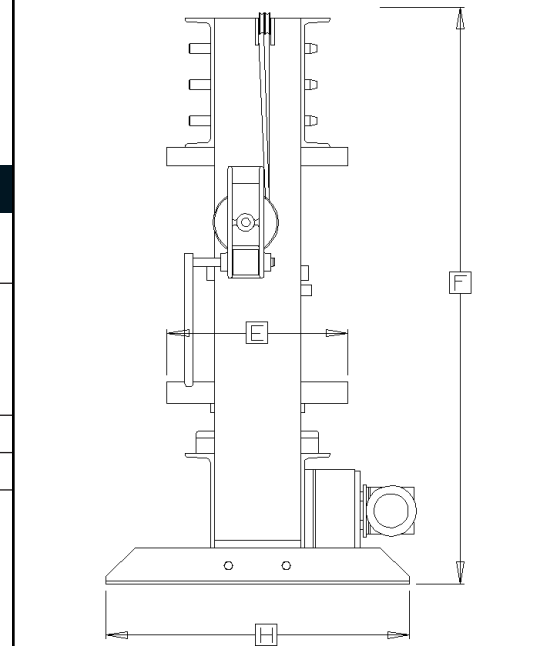
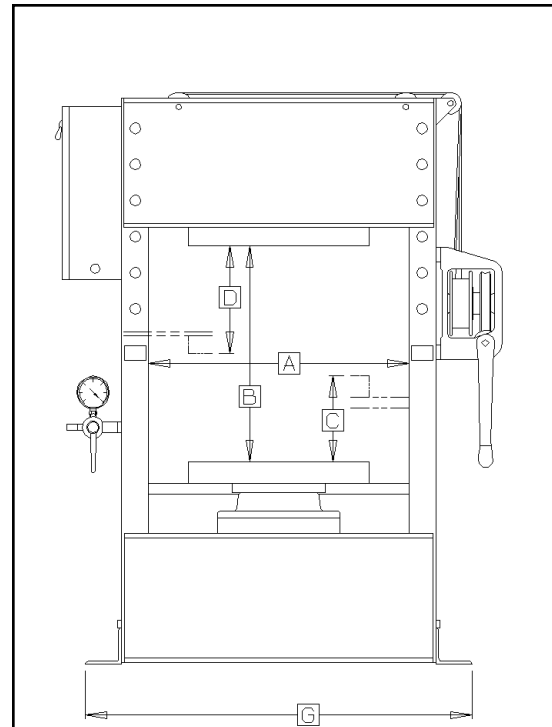
■ air powered

33-400

■ gasoline powered

optional equipment

- Larger capacities *available upon request*
- Additional ram stroke
- Special frame sizes
- Different size pressing rings



A	B	C	D	E	F	G x H	weight
<i>width between uprights</i>	<i>maximum daylight</i>	<i>ram travel</i>	<i>head channel travel</i>	<i>platen diameter</i>	<i>overall height</i>	<i>floor space</i>	
<i>inches</i>	<i>inches</i>	<i>inches</i>	<i>inches</i>	<i>inches</i>	<i>inches</i>	<i>inches</i>	<i>pounds</i>
36	30	12**	15	25	80	57x43	3,000
36	30	12	15	25	80	66x42	3,350
36	30	12	15	25	80	58x56	3,500

Movable Table Hydraulic Presses

Table rolls out to load heavy or awkward work, then returns easily into pressing position.

features

■ **Movable table** allows overhead loading of heavy workpieces.

■ **Adjustable workhead height** provides maximum daylight for oversized work.

■ **Heavy-duty hoist** easily raises and lowers workhead.

■ **Toggle clamps** lock table securely in place.

options

■ **Table plates**

■ **V-blocks**



Model 42-502 Shown

specifications

model	operation	capacity		ram speed			horsepower
		press tons	table pounds	inches per minute			
				advance	press	return	
42-300	air	25	3,500	110	6*		
42-400	elec-draulic I	25	3,500	80	14		2
42-500	elec-draulic II	25	3,500		15	35	2
42-304	air	50	3,500	65	3*		
42-401	elec-draulic I	50	3,500	40	7		2
42-501	elec-draulic II	50	3,500		8	22	2
42-308	air	75	3,800	45	2*		
42-402	elec-draulic I	75	3,800	28	5		2
42-502	elec-draulic II	75	3,800		5	15	2
42-312	air	150	4,200	25	1*		
42-403	elec-draulic I	150	4,200	16	2 ³ / ₄		2
42-503	elec-draulic II	150	4,200		17	38	10

*Slows Down Under Load

Specifications subject to change without notice.



For more information call 800-937-3253

models

42-300

- 25 ton capacity
- Air-operated

42-400

- 25 ton capacity
- Elec-draulic I

42-500

- 25 ton capacity
- Elec-draulic II

42-304

- 50 ton capacity
- Air-operated

42-401

- 50 ton capacity
- Elec-draulic I

42-501

- 50 ton capacity
- Elec-draulic II

42-308

- 75 ton capacity
- Air-operated

42-402

- 75 ton capacity
- Elec-draulic I

42-502

- 75 ton capacity
- Elec-draulic II

42-312

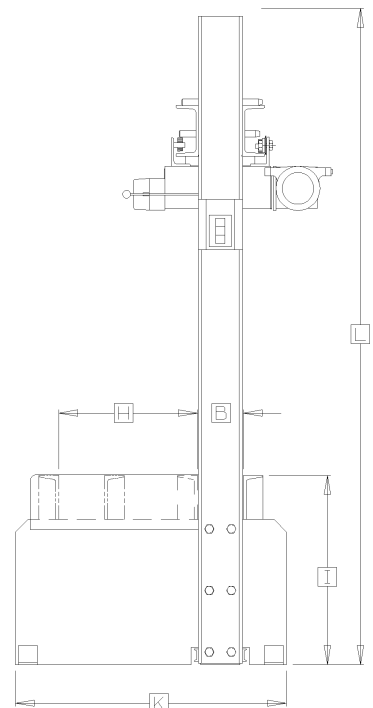
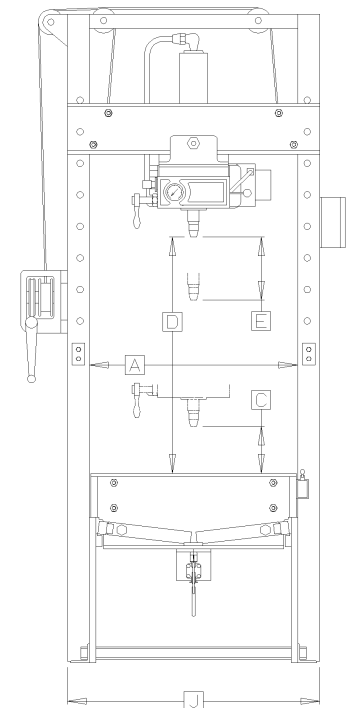
- 150 ton capacity
- Air-operated

42-403

- 150 ton capacity
- Elec-draulic I

42-503

- 150 ton capacity
- Elec-draulic II



A	B	C	D	E	H	I	J x K	L		
width between uprights	width between table channels	minimum ram to table	maximum ram to table	ram travel	table travel	floor to table top	base	height	weight	
inches	inches	inches	inches	inches	inches	inches	inches	inches	pounds	
32 ³ / ₄	7 ¹ / ₄	7	37	10	22	30	37 x 43	100	1,350	
32 ³ / ₄	7 ¹ / ₄	7	37	10	22	30	37 x 43	104	1,450	
32 ³ / ₄	7 ¹ / ₄	12 ¹ / ₄	42 ¹ / ₄	10	22	30	37 x 43	110	1,275	
32 ³ / ₄	7 ¹ / ₄	10 ⁷ / ₈	40 ⁷ / ₈	10	22	30	43 x 37	108	1,500	
32 ³ / ₄	7 ¹ / ₄	10 ⁷ / ₈	40 ⁷ / ₈	10	22	30	43 x 37	108	2,200	
32 ³ / ₄	7 ¹ / ₄	14	44	10	22	30	43 x 37	114	2,200	
44	8 ¹ / ₄	11 ³ / ₄	41 ³ / ₄	10	22	30	47 x 52	110	2,450	
44	8 ¹ / ₄	11 ³ / ₄	41 ³ / ₄	10	22	30	47 x 52	110	2,650	
44	8 ¹ / ₄	13	43 ³ / ₈	10	22	30	47 x 52	116	2,950	
48	12 ¹ / ₄	14 ¹ / ₄	64 ¹ / ₄	16	30	34	58 x 56	145	3,660	
48	12 ¹ / ₄	14 ¹ / ₄	64 ¹ / ₄	16	30	34	58 x 56	145	4,700	
48	12 ¹ / ₄	15 ¹ / ₂	65 ¹ / ₂	16	30	34	58 x 56	150	4,700	

Utility Hydraulic Presses

The power of hydraulic pressure in a compact design.

features

■ **Fast, efficient** single speed hand pump with adjustable mounting for maximum ergonomic operation.

■ **Large diameter,** single acting polished piston with internal spring return to eliminate external pinch points.

■ **Convenient top mounted gauge** reads in tons and psi to monitor pressure.

■ **The hydraulic pressing cylinder** can be relocated right or left of center for unusual work pieces.

■ **Table can be adjusted** for maximum or minimum vertical opening to accommodate a variety of work pieces and to minimize required ram travel.

Model F-10 Shown



specifications

model	number	operation	capacity	weight
			press	
			tons	pounds
B-10	72200	manual	10	165
F-10	72210	manual	10	225

Specifications subject to change without notice.



For more information call 800-937-3253

models

B-10

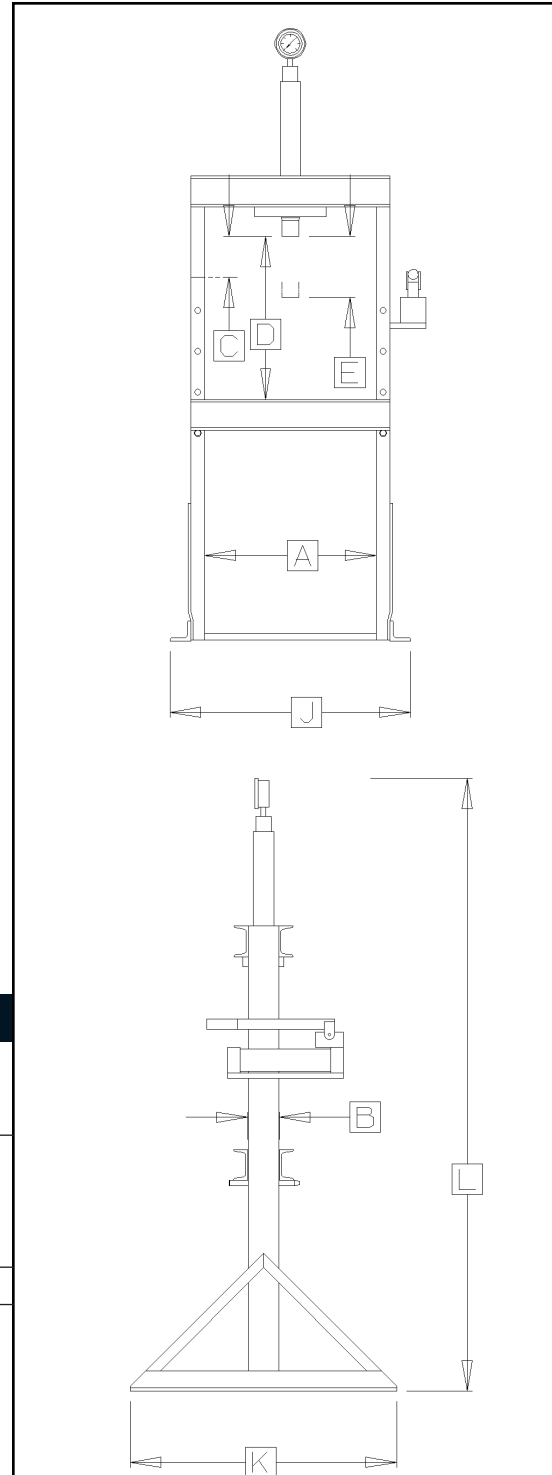
- 10 ton capacity
- bench mounted

F-10

- 10 ton capacity
- floor mounted

standard equipment

- Frame
- Combination table plates and V-blocks
- Flat ram nose
- Step reduced ram nose (shown)



A	B	C	D	E	J x K	L
<i>width between uprights</i>	<i>width between table channels</i>	<i>minimum ram to table</i>	<i>maximum ram to table</i>	<i>ram travel</i>	<i>base</i>	<i>height</i>
<i>inches</i>	<i>inches</i>	<i>inches</i>	<i>inches</i>	<i>inches</i>	<i>inches</i>	<i>inches</i>
16 ³ / ₄	3	4	16	6	23x18	36
16 ³ / ₄	3	0-4	38	6	24x28	60

Dura-Press Hydraulic Presses

Affordable, easy to use, heavy duty.

features

- **Simple, single acting cylinder** design with 5-part oil seals for smooth operation and a tight seal.
- **Welded heavy steel** plate frame for greater rigidity.
- **Efficient hand pump** is conveniently located to reduce operator fatigue.
- **Each full stroke** of the pump advances the ram 1/2".
- **Preset and factory-sealed** relief valve to prevent exceeding pressure capacity.



Model Force 10 Shown

specifications

model	number	capacity	horsepower
		tons	
Force 10	72001	10	Manual
Force 20	72002	20	Manual

Specifications subject to change without notice.



For more information call 800-937-3253

models

Force 10

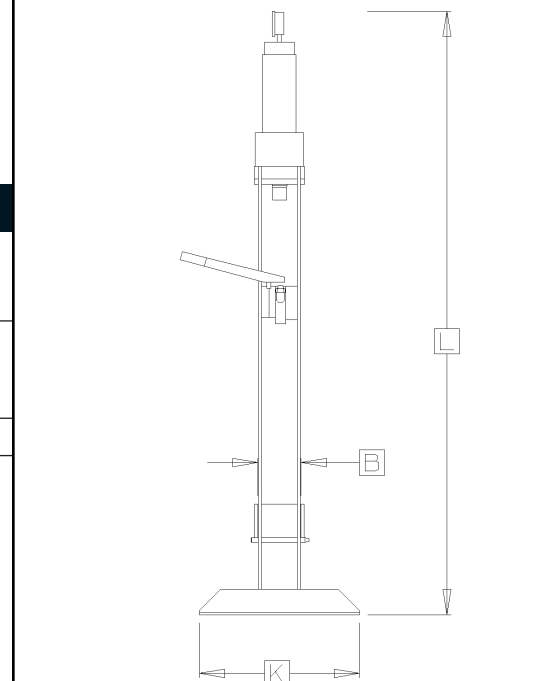
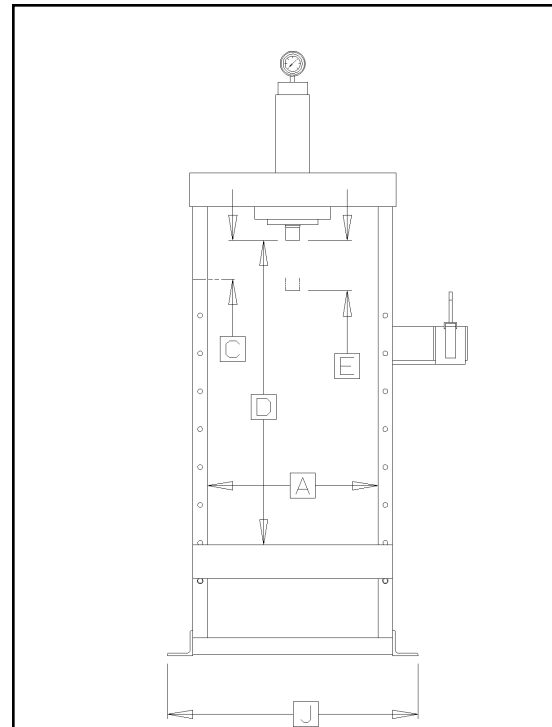
- 10 ton capacity
- Manual

Force 20

- 20 ton capacity
- Manual

standard equipment

- Frame
- Cylinder
- 2 forged steel table plates
- Gauge



A	B	C	D	E	J x K	L	
<i>width between uprights</i>	<i>width between table channels</i>	<i>minimum ram to table</i>	<i>maximum ram to table</i>	<i>ram travel</i>	<i>base</i>	<i>height</i>	<i>weight</i>
<i>inches</i>	<i>inches</i>	<i>inches</i>	<i>inches</i>	<i>inches</i>	<i>inches</i>	<i>inches</i>	<i>pounds</i>
20	4	7	36	6	31x19	71	350
20	4	4½	34½	6	31x19	71	485

Dura-Press Hydraulic Presses

Designed to work the way you do.

features

- **Electric power unit** has convenient single phase, 110 volt operation for greater portability.
- **Sturdy, welded channel iron frame** for durability.
- **Lever control ram advance** for easy operation.
- **Quiet, low pressure hydraulic components** for greater efficiency and smooth pressing.
- **Double acting cylinder** allows for convenient positioning of ram.
- **One hand ram positioning** with 4-way valve hydraulic control.



Model Force 10DA Shown

specifications

model	number	capacity	return	horsepower	rpm	ram speed
		tons	tons			inches per minute
Force 10DA	09205	10	4	1	1,725	20
Force 25DA	09215	25	8	1	1,725	10

Specifications subject to change without notice.



For more information call 800-937-3253

models

Force 10DA

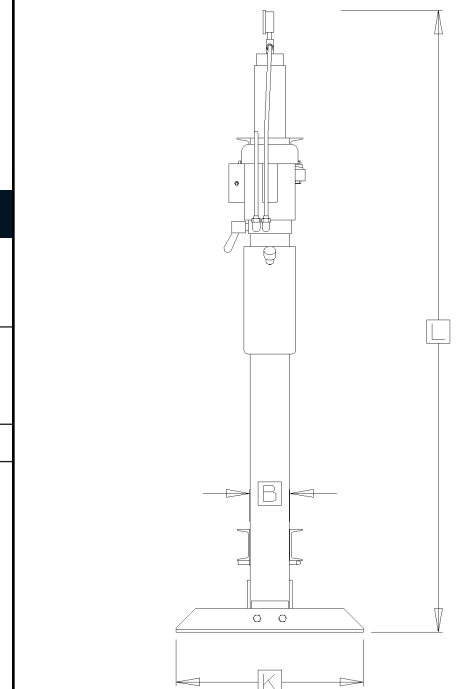
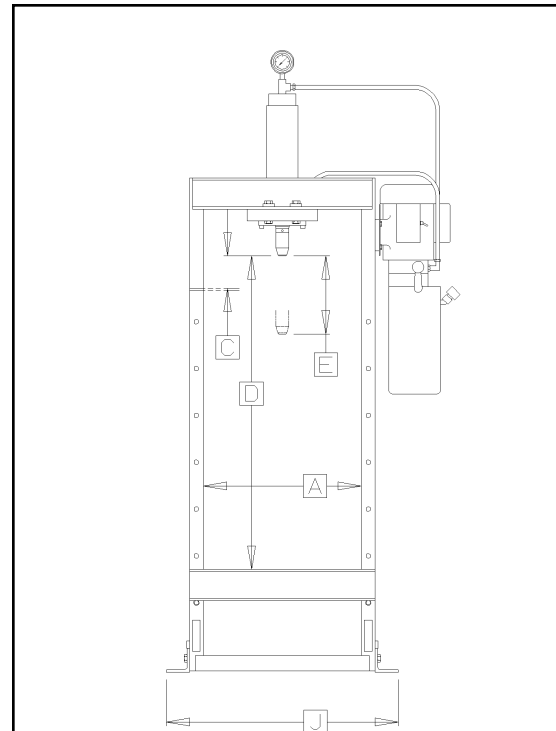
■ 10 ton capacity

Force 25DA

■ 25 ton capacity

standard equipment

- Frame
- Two combination table plate/
V-blocks
- Motor
1 hp, 110 volt
- Pressure gauge
- Safety relief valve
- Lifting chain (on 25 ton model)



A	B	C	D	E	J x K	L	
width between uprights	width between table channels	minimum ram to table	maximum ram to table	ram travel	base	height	weight
inches	inches	inches	inches	inches	inches	inches	pounds
20	4	4	40	10	29 ³ / ₄ x 24	80	300
28	7	8	44	10	30 x 38	88	550

Dura-Press Hydraulic Presses

The price leader for a total capability press.

features

■ **Double acting cylinder** design with 5-part oil seals for smooth operation and a tight seal.

■ **Ram has lifting eyes** that attach a chain to hydraulically move the table.

■ **Welded heavy steel plate frame** for greater rigidity.

■ **2 HP submerged motor** drives two centrifugal pumps for quiet, steady oil flow (40 and 70 ton models).

■ **3 HP submerged motor** drives 3 centrifugal pumps for quiet, steady oil flow (100 ton model).

■ **Smooth, responsive control valve.**

■ **All electrical controls** are low voltage (24V).

■ **Rapid advance of the ram** to the work piece—speed shifts automatically when contact is made.

■ **Preset and factory-sealed** relief valve to prevent exceeding pressure capacity.



Model Force 100 Shown (only model with bolster plate)

specifications

model	number	capacity	horsepower	ram speed advance	ram speed pressing
		tons		ipm	ipm
Force 40	72003	40	2	68	7
Force 70	72004	70	2	42	4
Force 100	72005	100	3	52	3

Specifications subject to change without notice.



For more information call 800-937-3253

models

Force 40

- 40 ton capacity
- Electric

Force 70

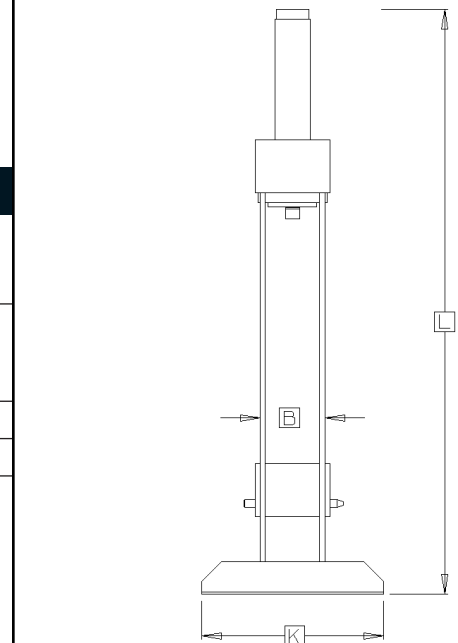
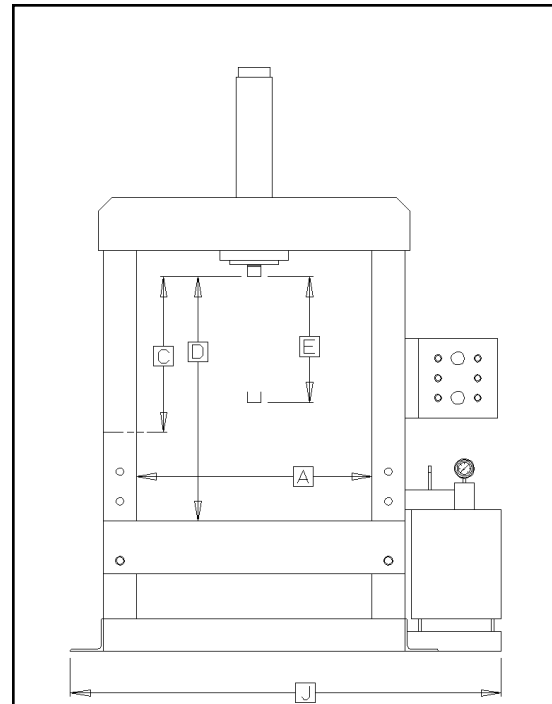
- 70 ton capacity
- Electric

Force 100

- 100 ton capacity
- Electric

standard equipment

- Frame
- Cylinder
- 2 forged steel table plates
- Pressure gauge
- Lifting chain



A	B	C	D	E	J x K	L	
<i>width between uprights</i>	<i>width between table channels</i>	<i>minimum ram to table</i>	<i>maximum ram to table</i>	<i>ram travel</i>	<i>base</i>	<i>height</i>	<i>weight</i>
<i>inches</i>	<i>inches</i>	<i>inches</i>	<i>inches</i>	<i>inches</i>	<i>inches</i>	<i>inches</i>	<i>pounds</i>
35	8	7	32	19	63x27	88	1,210
35	8	7¼	32	19	63x27	88	1,595
41	10	7⅞	35	19	75x33	90	2,950