

Ergonomic Solutions for Load Handling
LOADING DOCKS
SizzrDok™ and Trans-A-Dok™
For Pit or Surface Installations

All Loading Docks Conform to ANSI MH29.1-1994
Safety Requirements for Industrial Scissor Lifts





IMPORTANT INFORMATION

ECO A Limited Warranty

We warrant Scissor Lift equipment mfg. by ECOA to be free from defects in workmanship and material for the warranty period except as noted below (damage in transit) and further warrant for ninety (90) days that each scissor Lift was built to the specification in force at time of mfg. Our obligation under this warranty is limited to repair or replacement, at our option, of any parts or material which within this warranty period are found to our satisfaction to be defective. Replacement parts will be shipped F.O.B. Hialeah, FL. 33010.

Limited Warranty on Structural

If within the warranty period from the date of shipment from ECOA any structural portion of the lift, exclusive of hydraulic/electrical components, which carry a separate warranty, breaks or becomes inoperable due to faulty design or workmanship, ECOA will repair or replace it. Overloading or abuse shall void all warranty.

Overloading, abuse or improper maintenance is evidenced by ripped or torn steel, dents or distortions. ECOA reserves the right of final determination in all warranty consideration. This warranty extends to the original retail purchaser only and commences on the date of shipment for ECOA.

Note: Accordion skirting, roll-up skirting and conveyors are excluded from this warranty.

There is no other expressed warranty. ECOA will not be liable for any claims under warranty for labor, material or other charges which are expended without prior Authorization by ECOA.

ECO A reserves the right to make all warranty repairs or replacement at its factory other designated location at its discretion.

This warranty is not valid if alterations have been made other than by authorized personnel or if equipment has been subject to damage as a result of accident, misuse, abuse or if not operated in accordance with mfg. Instructions. Any reconfigurations, modifications and/or alterations to units after shipment will void all warranty at ECOA's discretion. This warranty does not include service items subject to normal wear.

To make a claim under above warranty contact the authorized ECOA dealer who sold the equipment immediately upon realizing a problem exists.

All returns must be accompanied by a Return Authorization Number which must be obtain from ECOA.

The information in our literature is accurate at the time of printing, but it could change the next day due to improvements and or changes in our products. Be very specific about your needs and do not assume travel, speeds, physical sizes, and voltage etc., or anything required by your customer as standard. Only the quote that you receive from our sales department, is the product that you will receive.

Make sure it's correct!

We are proud of our warranty and absolutely stand behind it. We require you to read it and understand our obligations and the obligations that are your responsibility. It's ECOA's goal to stand behind all of the equipment that we build and we expect that you, the dealer, will support our position as ECOA will support you. Truthful, accurate and detailed information helps to expedite all warranty issues.

Thank you and we appreciate your business.

Stephen W. Konop CEO

Kevin Riley President

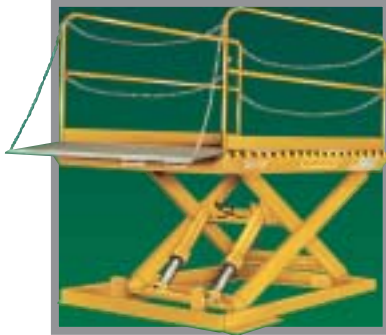
ECO A Limited Warranty Policy

	Labor	Electrical	Hydraulic Components	Cylinder Seals	Mechanical Components
In-Plant Equipment	1 Year	1 Year	1 Year	Lifetime	5 Years
High Cycle	90 Days	90 Days	90 Days	Lifetime	2 Years
Air Lift	1 Year	N/A	N/A	Lifetime on Air Bag	5 Years
Loading Docks	1 Year	1 Year	1 Year	Lifetime	5 Years



SizzrDok™

ECO A HLD Series Loading Docks



**High Speed,
Heavy Duty,
Electrohydraulic
5,000 to 12,000 lb.
Capacity
For Pit
Installation**

HLD-050-608-F

Model Number Format

HLD-050-608-F

Series "HLD" _____
 Heavy Duty Loading Dock _____
 Capacity _____
 050 = 5,000 lbs. _____
 Platform Size _____
 608 = 6'W X 8'L _____

Description

ECO A HLD Series high-speed loading docks are the most completely equipped loading docks and have the highest structural rating in the industry. Load capacities are 5,000 to 12,000 lbs., travel distances to 60 in. with platform sizes of 48 x 96 to 96 x 144 in. HLD series loading docks are also available with travel distances of 72 in. and 96 in., consult marketing.

The HLD Series is designed with an engineered safety factor of 3 to 1 and conforms to or exceeds ANSI MH29.1-1994, The National Electric Code and OSHA requirements.

See Options section on page 6 for U.S. Postal Options in accordance with USPS Specifications.

Standard Features

- Safety tread steel plate platform with 8 in. beveled toe guards and black and yellow safety stripes
- Steel safety tread bridge plate, 18 x 72 in., with 2 safety chains
- Two removable steel handrails 42 in. high with midrail
- Four safety chains with snap hooks
- Rectangular, structural tube scissor legs and torque tubes
- Positive stops on all four corners for maximum roll-over capacity in lowered position
- Hinged safety restraint maintenance bars
- Sealed ram-type, full oil displacement hydraulic cylinders with hard chrome plated and polished stress-proof steel rams and polyurethane seals. Positive internal stops
- Safety velocity fuse at base of each cylinder to prevent descent in the event of loss of hydraulic pressure
- NEMA 4, 13 (water tight, oil tight and dust tight) adjustable upper travel limit switch automatically shuts off the motor and pump at the raised-height setting
- Four secondary mechanical upper travel back-up stops, 2 mounted on platform under-structure and 2 mounted on base,

restrict the scissor arms from moving beyond the preset travel

- Axles and shafts are stress-proof shafting, hard chrome plated and polished, retained with a positive-locking screw ring system and equipped with lifetime lubricated bearings
- All axle and roller bearings are PTFE lined, composite type and have the qualities of good wear resistance and heat conductivity, high strength, low thermal resistance and low friction
- Hydraulic hose, SAE 100 R2AT, double wire braid from cylinders to universal connection on base frame. Hose from lift to power unit is not included
- Surfaces degreased, oxide primed and finished with two coats of enamel
- External power unit is prewired, factory tested and assembled
- 5HP, 230/460V, 3PH, 60Hz continuous duty TEFC motor
- 11 gal. reservoir, oil not included
- High-pressure gear pump
- Aluminum valve block manifold contains check valve, relief valve, pressure-compensated flow control valve and solenoid valve. The solenoid valve includes a filter screen
- Pressure line 25-micron cartridge filter

- Liquid tight strain relief type electrical cord connectors
- NEMA-4X constant-pressure (water-tight, dust-tight and corrosion-resistant) "UP-DOWN" pushbutton control with 20 ft. coiled cord and hanger bracket
- NEMA-12 prewired control box (dust/drip-tight industrial type) with liquid-tight electrical connectors. Control box contains magnetic starter, control transformer, thermal overload and fuses, mounted on the oil reservoir
- 24V operating control voltage
- All controller components are UL and/or CSA approved

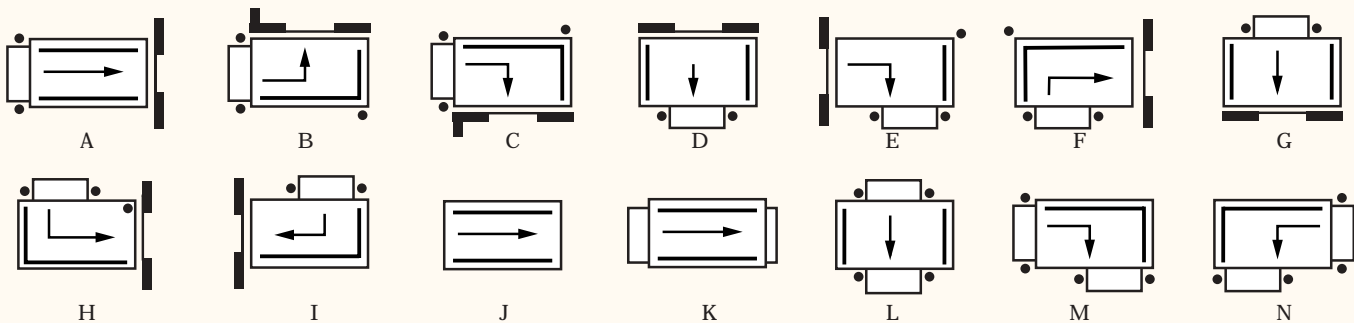
Limited Warranty Policy

Refer to Warranty Form Number WF-0901 for specific details.

Specifications are subject to change without notice.

HLD Series Loading Docks are one of a group of ECO A materials handling products.

Transfer Arrangements





Selector Table for HLD Series. Capacities 5,000 to 12,000 lbs.

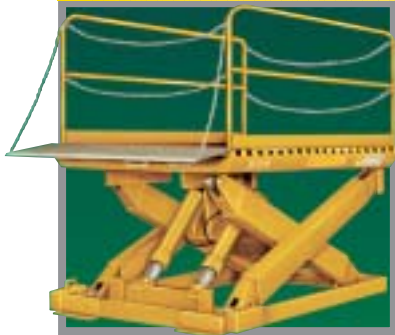
Travel	Model	Capacity	Axle Load Maximum		Platform Size	Base Frame	Height		Up*** Speed (Approx)	Motor** Std. HP	Cylinders	Ship* Weight (Approx)
			Ends	Sides			Lowered	Raised				
48"	HLD-050-507-48	5,000	3,500	3,000	60 x 84	51 x 76	8	56	12	5	2	2,750
	HLD-050-606-48	5,000	3,500	3,000	72 x 72	63 x 64	8	56	12	5	2	2,750
60"	HLD-050-408	5,000	3,500	3,000	48 x 96	39 x 88	8	68	25	5	2	2,600
	HLD-050-508	5,000	3,500	3,000	60 x 96	39 x 88	8	68	25	5	2	2,750
	HLD-050-608	5,000	3,500	3,000	72 x 96	63 x 88	8	68	25	5	2	2,900
	HLD-050-708	5,000	3,500	2,750	84 x 96	63 x 88	8	68	25	5	2	3,100
	HLD-050-808	5,000	3,500	2,500	96 x 96	63 x 88	8	68	25	5	2	3,300
	HLD-050-609	5,000	3,250	3,000	72 x 108	63 x 88	8	68	25	5	2	3,100
	HLD-050-709	5,000	3,250	2,750	84 x 108	63 x 88	8	68	25	5	2	3,250
	HLD-050-809	5,000	3,250	2,500	96 x 108	63 x 88	8	68	25	5	2	3,450
	HLD-050-610	5,000	3,000	3,000	72 x 120	63 x 88	10	70	25	5	2	3,200
	HLD-050-710	5,000	3,000	2,750	84 x 120	63 x 88	10	70	25	5	2	3,375
	HLD-050-810	5,000	3,000	2,500	96 x 120	63 x 88	10	70	25	5	2	3,500
	HLD-060-608	6,000	4,200	3,200	72 x 96	63 x 88	10	70	20	5	2	3,050
	HLD-060-708	6,000	4,200	3,100	84 x 96	63 x 88	10	70	20	5	2	3,150
	HLD-060-808	6,000	4,200	3,000	96 x 96	63 x 88	10	70	20	5	2	3,475
	HLD-060-609	6,000	3,900	3,200	72 x 108	63 x 88	10	70	20	5	2	3,125
	HLD-060-709	6,000	3,900	3,100	84 x 108	63 x 88	10	70	20	5	2	3,250
	HLD-060-809	6,000	3,900	3,000	96 x 108	63 x 88	10	70	20	5	2	3,575
	HLD-060-610	6,000	3,600	3,200	72 x 120	63 x 88	12	72	20	5	2	3,300
	HLD-060-710	6,000	3,600	3,100	84 x 120	63 x 88	12	72	20	5	2	3,375
	HLD-060-810	6,000	3,600	3,000	96 x 120	63 x 88	12	72	20	5	2	3,650
	HLD-080-608	8,000	6,500	5,200	72 x 96	63 x 88	12	72	15	5	3	4,200
	HLD-080-708	8,000	6,500	5,000	84 x 96	63 x 88	12	72	15	5	3	4,400
	HLD-080-808	8,000	6,500	5,000	96 x 96	63 x 88	12	72	15	5	3	4,600
	HLD-080-609	8,000	6,500	5,200	72 x 108	63 x 88	12	72	15	5	3	4,350
	HLD-080-709	8,000	6,500	5,000	84 x 108	63 x 88	12	72	15	5	3	4,600
	HLD-080-809	8,000	6,500	5,200	96 x 108	63 x 88	12	72	15	5	3	4,800
	HLD-080-610	8,000	6,500	5,000	72 x 120	63 x 88	12	72	15	5	3	4,500
	HLD-080-710	8,000	6,500	5,000	84 x 120	63 x 88	12	72	15	5	3	4,750
HLD-080-810	8,000	6,500	5,000	96 x 120	63 x 88	12	72	15	5	3	5,000	
HLD-100-608	10,000	8,000	7,000	72 x 96	63 x 88	14	74	12	5	2	4,900	
HLD-100-708	10,000	8,000	6,750	84 x 96	63 x 88	14	74	12	5	2	5,050	
HLD-100-808	10,000	8,000	6,500	96 x 96	88 x 88	14	74	12	5	2	5,200	
HLD-100-610	10,000	7,500	7,000	72 x 120	63 x 112	14	74	12	5	2	5,100	
HLD-100-710	10,000	7,500	6,750	84 x 120	63 x 112	14	74	12	5	2	5,250	
HLD-100-810	10,000	7,500	6,500	96 x 120	88 x 112	14	74	12	5	2	5,400	
HLD-100-611	10,000	7,500	6,500	72 x 132	63 x 112	14	74	12	5	2	5,300	
HLD-100-711	10,000	7,500	6,240	84 x 132	63 x 112	14	74	12	5	2	5,450	
HLD-100-811	10,000	7,500	6,000	96 x 132	88 x 112	14	74	12	5	2	5,600	
HLD-100-612	10,000	7,500	6,000	72 x 144	63 x 112	14	74	12	5	2	5,500	
HLD-100-712	10,000	7,500	5,750	84 x 144	63 x 112	14	74	12	5	2	5,650	
HLD-100-812	10,000	7,500	5,500	96 x 144	88 x 112	14	74	12	5	2	5,800	
HLD-120-608	12,000	9,600	8,400	72 x 96	63 x 88	16	76	12	5	2	5,400	
HLD-120-708	12,000	9,600	8,400	84 x 96	63 x 88	16	76	12	5	2	5,550	
HLD-120-808	12,000	9,600	8,400	96 x 96	88 x 88	16	76	12	5	2	5,700	
HLD-120-610	12,000	9,600	8,400	72 x 120	63 x 112	16	76	12	5	2	5,600	
HLD-120-710	12,000	9,600	8,400	84 x 120	63 x 112	16	76	12	5	2	5,750	
HLD-120-810	12,000	9,600	8,400	96 x 120	88 x 112	16	76	12	5	2	5,900	
HLD-120-611	12,000	9,600	8,400	72 x 132	63 x 112	16	76	12	5	2	5,800	
HLD-120-711	12,000	9,600	8,400	84 x 132	63 x 112	16	76	12	5	2	5,950	
HLD-120-811	12,000	9,600	8,400	96 x 132	88 x 112	16	76	12	5	2	6,100	
HLD-120-612	12,000	9,600	8,400	72 x 144	63 x 112	16	76	12	5	2	6,000	
HLD-120-712	12,000	9,600	8,400	84 x 144	63 x 112	16	76	12	5	2	6,150	
HLD-120-812	12,000	9,600	8,400	96 x 144	88 x 112	16	76	12	5	2	6,300	

In 48 in. travel, other platform sizes are available, consult marketing. *Standard platforms only. **See options. ***When voltage is 230V/1PH/60Hz lift speeds will be reduced by 33%. Note: Where available power supply is 208V/3PH booster transformers are required for 240V/3PH at motor, see options. Roller shades, accordion skirting and electrical tape switches will require a minimum lowered height of 10 in. Power requirements depend upon frequency and type of operation and require specific selection. See page 6 for options and accessories. 8'0" wide units require shipment via flatbed.



SizzrDok™

ECO A SLD Series Loading Docks



**Super Heavy Duty,
Electrohydraulic
15,000 to 30,000 lb.
Capacity
For Pit Installation**

SLD-200-712-F

Model Number Format

SLD-200-712-F

Series "SLD"
**Super Loading Dock
Capacity**
200 = 20,000 lbs.
Platform Size
712 = 7'W X 12'L

Description

ECO A SLD Series Loading Docks are the most completely equipped loading docks and have the highest structural rating in the industry. Load capacities are 15,000 to 30,000 lbs., travel distances to 60 in. with platform sizes of 72 x 120 to 96 x 144 in. SLD series loading docks are also available with travel distances of 72 in. and 96 in., consult marketing.

The SLD Series is designed with an engineered safety factor of 3 to 1 and conforms to or exceeds ANSI MH29.1-1994, The National Electric Code and OSHA requirements.

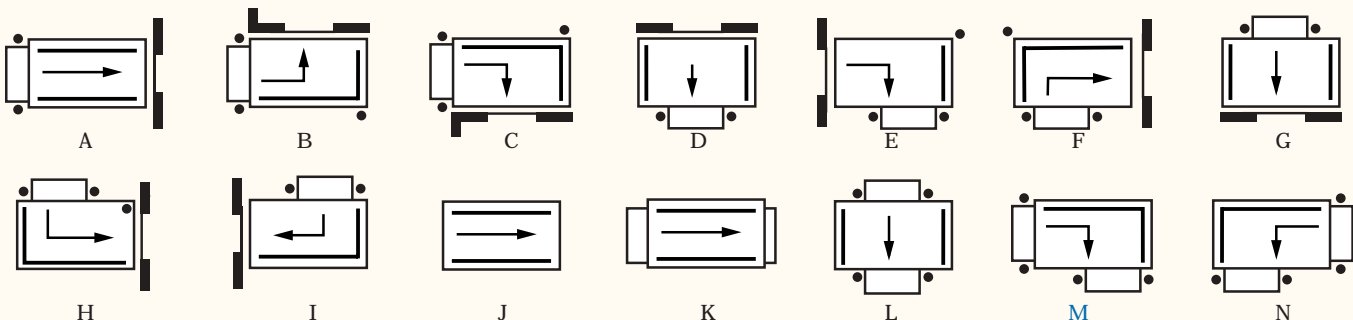
Standard Features

- Safety tread steel plate platform with 8 in. beveled toeguards and black and yellow safety stripes
- Steel safety tread bridge plate, 18 x 72 in., with 2 lifting chains
- Two removable steel handrails 42 in. high with midrail
- Four safety chains with snap hooks
- Rectangular, structural tube scissor legs and torque tubes
- Positive stops on all four corners for maximum roll-over capacity in lowered position
- Hinged safety restraint maintenance bars
- Sealed ram-type, full oil displacement hydraulic cylinders with hard chrome plated and polished stress-proof steel rams and polyurethane seals with positive internal stops
- Safety velocity fuse at base of each cylinder to prevent descent in the event of loss of hydraulic pressure
- NEMA 4, 13 (water-tight, dust-tight and oil-tight) adjustable upper travel limit switch automatically shuts off the motor and pump at the raised-height setting
- Four secondary mechanical upper travel back-stops, 2 mounted on platform under-structure and 2 mounted on base, restrict the scissor arms from moving beyond the preset travel

- Axles and shafts are stress-proof shafting, hard chrome plated and polished, retained with a positive-locking screw ring system and equipped with lifetime lubricated bearings
- All axle and roller bearings are PTFE lined, composite type and have superior qualities for good wear resistance and heat conductivity, high strength, low thermal resistance and low friction
- Hydraulic hose, SAE 100 R2AT, double wire braid from cylinders to universal connection on base frame. Hose from lift to power unit is not included
- Surfaces degreased, oxide primed and finished with two coats of enamel
- External power unit is prewired, factory tested and assembled
- 5HP or 7½HP, 230/460V, 3PH, 60Hz continuous duty TEFC motor
- 11 gal. reservoir, oil not included
- High-pressure gear pump
- Aluminum valve block manifold contains check valve, relief valve, pressure-compensated flow control valve and solenoid valve. The solenoid valve includes a filter screen
- Pressure line 25-micron cartridge filter
- Liquid tight strain relief type electrical cord connectors

- NEMA-4X constant-pressure (water-tight, dust-tight and corrosion-resistant) "UP-DOWN" pushbutton control with 20-ft. coiled cord and hanger bracket
 - NEMA-12 prewired control box (dust/drip-tight industrial type) with liquid-tight electrical connectors. Control box contains magnetic starter, control transformer, thermal overload and fuses mounted on the oil reservoir
 - 24V operating control voltage
 - All controller components are UL and/or CSA approved
- Limited Warranty Policy**
Refer to Warranty Form Number WF-0901 for specific details.
- Specifications are subject to change without notice.
SLD Series Loading Docks are one of a group of ECO A materials handling products.

Transfer Arrangements





Selector Table for SLD Series. Capacities 15,000 to 30,000 lbs.

Travel	Model	Capacity	Axle Load Maximum		Platform Size	Base Frame	Height		Up Speed (Approx)	Motor** Std. HP	Cylinders	Ship* Weight (Approx)
			Ends	Sides			Lowered	Raised				
60"	SLD-150-610	15,000	12,250	11,000	72 x 120	63 x 112	16	76	7 1/2	5	2	6,450
	SLD-150-710	15,000	12,500	10,750	84 x 120	63 x 112	16	76	7 1/2	5	2	6,550
	SLD-150-810	15,000	12,500	10,500	96 x 120	63 x 112	16	76	7 1/2	5	2	6,700
	SLD-150-611	15,000	12,250	11,000	72 x 132	63 x 112	16	76	7 1/2	5	2	6,650
	SLD-150-711	15,000	12,250	10,650	84 x 132	63 x 112	16	76	7 1/2	5	2	6,750
	SLD-150-811	15,000	12,250	10,500	96 x 132	63 x 112	16	76	7 1/2	5	2	6,900
	SLD-150-612	15,000	12,000	11,000	72 x 144	63 x 112	16	76	7 1/2	5	2	6,850
	SLD-150-712	15,000	12,000	10,750	84 x 144	63 x 112	16	76	7 1/2	5	2	6,950
	SLD-150-812	15,000	12,000	10,500	96 x 144	63 x 112	16	76	7 1/2	5	2	7,100
	SLD-180-610	18,000	14,900	13,000	72 x 120	63 x 112	18	78	7 1/2	5	2	7,250
	SLD-180-710	18,000	14,900	12,800	84 x 120	63 x 112	18	78	7 1/2	5	2	7,350
	SLD-180-810	18,000	14,900	12,600	96 x 120	63 x 112	18	78	7 1/2	5	2	7,500
	SLD-180-611	18,000	14,650	13,000	72 x 132	63 x 112	18	78	7 1/2	5	2	7,450
	SLD-180-711	18,000	14,650	12,800	84 x 132	63 x 112	18	78	7 1/2	5	2	7,550
	SLD-180-811	18,000	14,650	12,600	96 x 132	63 x 112	18	78	7 1/2	5	2	7,775
	SLD-180-612	18,000	14,400	13,000	72 x 144	63 x 112	18	78	7 1/2	5	2	7,650
	SLD-180-712	18,000	14,400	12,800	84 x 144	63 x 112	18	78	7 1/2	5	2	7,750
	SLD-180-812	18,000	14,400	12,600	96 x 144	63 x 112	18	78	7 1/2	5	2	7,950
	SLD-200-610	20,000	16,750	15,500	72 x 120	63 x 112	20	80	7 1/2	5	2	7,850
	SLD-200-710	20,000	16,750	15,250	84 x 120	63 x 112	20	80	7 1/2	5	2	7,950
	SLD-200-810	20,000	16,750	15,000	96 x 120	63 x 112	20	80	7 1/2	5	2	8,100
	SLD-200-611	20,000	16,375	15,500	72 x 132	63 x 112	20	80	7 1/2	5	2	8,050
	SLD-200-711	20,000	16,375	15,250	84 x 132	63 x 112	20	80	7 1/2	5	2	8,150
	SLD-200-811	20,000	16,375	15,000	96 x 132	63 x 112	20	80	7 1/2	5	2	8,350
	SLD-200-612	20,000	16,000	15,500	72 x 144	63 x 112	20	80	7 1/2	5	2	8,250
	SLD-200-712	20,000	16,000	15,250	84 x 144	63 x 112	20	80	7 1/2	5	2	8,350
	SLD-200-812	20,000	16,000	15,000	96 x 144	63 x 112	20	80	7 1/2	5	2	8,550
	SLD-250-610	25,000	20,750	18,000	72 x 120	63 x 112	22	82	5	7 1/2	3	9,100
	SLD-250-710	25,000	20,750	17,750	84 x 120	63 x 112	22	82	5	7 1/2	3	9,250
	SLD-250-810	25,000	20,750	17,500	96 x 120	88 x 112	22	82	5	7 1/2	3	9,375
SLD-250-611	25,000	20,325	18,000	72 x 132	63 x 112	22	82	5	7 1/2	3	9,300	
SLD-250-711	25,000	20,325	17,750	84 x 132	63 x 112	22	82	5	7 1/2	3	9,425	
SLD-250-811	25,000	20,325	17,500	96 x 132	88 x 112	22	82	5	7 1/2	3	9,650	
SLD-250-612	25,000	20,000	18,000	72 x 144	63 x 112	22	82	5	7 1/2	3	9,550	
SLD-250-712	25,000	20,000	17,750	84 x 144	63 x 112	22	82	5	7 1/2	3	9,650	
SLD-250-812	25,000	20,000	17,500	96 x 144	88 x 112	22	82	5	7 1/2	3	9,850	
SLD-300-610	30,000	24,500	21,500	72 x 120	63 x 112	24	84	5	7 1/2	3	10,400	
SLD-300-710	30,000	24,500	21,250	84 x 120	63 x 112	24	84	5	7 1/2	3	10,550	
SLD-300-810	30,000	24,500	21,000	96 x 120	88 x 112	24	84	5	7 1/2	3	10,675	
SLD-300-611	30,000	24,250	21,500	72 x 132	63 x 112	24	84	5	7 1/2	3	10,600	
SLD-300-711	30,000	24,250	21,250	84 x 132	63 x 112	24	84	5	7 1/2	3	10,750	
SLD-300-811	30,000	24,250	21,000	96 x 132	88 x 112	24	84	5	7 1/2	3	10,995	
SLD-300-612	30,000	24,000	21,500	72 x 144	63 x 112	24	84	5	7 1/2	3	10,875	
SLD-300-712	30,000	24,000	21,250	84 x 144	63 x 112	24	84	5	7 1/2	3	10,950	
SLD-300-812	30,000	24,000	21,000	96 x 144	88 x 112	24	84	5	7 1/2	3	11,250	

*Standard Platforms only. **See options. Power requirements depend upon frequency and type of operation and require specific selection. See page 6 for options and accessories. 8'0" wide units require shipment via flatbed



Economy Loading Dock™

ECO A ELD Series Loading Dock



**Loading Dock,
Electrohydraulic
5,000 lb. Capacity
For Pit Installation**

ELD-050-608-F

Model Number Format

ELD-050-608-F
 Series "ELD" Loading Dock Capacity 050 = 5,000 lbs. Platform Size 608 = 6' W x 8' L

Description

The ELD Series loading docks are designed and manufactured to meet the needs of today's new construction market. By equalizing the height differences at the truck or dock, the ELD increases productivity and decreases worker strain. Competitively priced, the ELD offers proven structural reliability and unsurpassed features.

The ELD is ideal for department stores, warehouse operations, retail outlets, schools, hospitals or other businesses where palletized loads are transported by manual pallet trucks or powered pallet trucks. Postal option package available.

Standard Features

- Load capacity is 5,000 lbs with a roll-over capacity of 10,000 lbs and axle load capacity of 2,500 lbs over the ends.
- Lowered height is 10in.
- Vertical travel is 60 in. providing an overall raised height of 70 in.
- Non skid tread plate platform has 8 in. beveled toe guards.
- Steel non-skid 18 in. x 72 in. bridge plate with heavy-duty

snap chains for easy transfer.

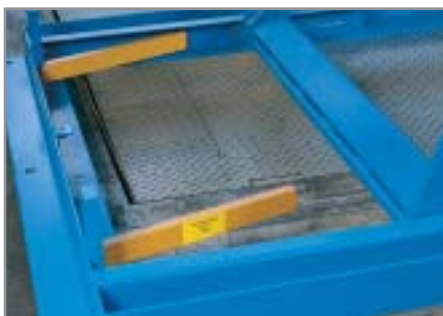
- Two 42" high removable steel handrails with midrail and kick plate.
- Four safety chains with snap hooks.
- Rectangular, structural tube scissor legs and torque tubes. Scissor rollers are entrapped for additional stability.
- Self-contained, hinged maintenance bars.
- All axle and roller bearings are PTFE lined, composite type and provide low friction and excellent wear resistance.
- Two heavy-duty, high pressure hydraulic cylinders with positive internal stops. Cylinder rods are polished and hard chrome plated. The rod side of each cylinder is vented to the hydraulic reservoir to eliminate contamination.
- Conforms to or exceeds ANSI MH29.1-1994.
- Flow limiting safety valve at the base of each cylinder limits descent speed in the event of loss of hydraulic pressure.
- High impulse, single wire braid, hydraulic hoses from cylinders to universal connection on base frame.

- High performance power unit provides the following:
 - A. 4.8HP 230V/460V/3PH /60hz motor
 - B. High pressure gear pump with suction filter
 - C. 8 gallon reservoir with drain port.
 - D. Integrated valve block containing check valve, relief valve, solenoid lowering valve and pressure compensate d flow control valve.
 - Prewired NEMA 12 (dust/drip tight) control box with magnetic starter, thermal overload and 24 VAC control transformer with fused secondary. All electrical components are UL and/or CSA approved.
 - Prewired NEMA 4 (water/dust tight) constant-pressure, pushbutton "UP-DOWN" control on 20' coil cord.
 - 24 VAC operating control voltage
 - Installation package (including hydraulic oil, 20' hydraulic hose, 20' return line and 20' limit switch wire if required)
 - Surfaces degreased, oxide primed and finished with two coats of enamel.
- Options & Accessories**
- 1 phase 230V power unit, ELD-P603
 - Buck Boosters for 208V/3PH power requirements, ELC-P116-08
 - Upper travel limit switch, installed, ELC-P109-09

- Oil reservoir immersion heater with thermostat control, ELC-P133-05
 - Weather resistant power unit cover, ELD-P610
 - Flashing red light (attached to power unit) HLD-FRL
 - Warning Bell with volume control (attached to power unit), ELC-WB-24-A
 - Wall mounting brackets for power unit, ELD-P620
 - Key lock-out push button controls, ELC-P107-10
 - Accordion bellows skirting, installed, SKT-A-72096070-B
 - Split steel bridge 18"L x 72"W, HLD-SBS-1872
- Postal Option Package:**
 Flashing red light, Warning bell with volume control, manual down valve, upper travel limit switch, 36" x 66" aluminum bridge plate, wall mounting brackets for power unit, (3) in-line filters, 12 f.p.m. min. upspeed, special post office safety yellow paint, (meets USPS master spec. V5.04.1 Section 11163), ELD-PS
- Limited Warranty Policy**
 Refer to Warranty Form Number WF-0901 for specific details.

Selector Table for ELD Series. Capacities 5,000 lbs.

Travel	Model	Capacity	Platform	Base Frame Size	Lowered Height	Up Speed (Approx)	Motor (HP)	Cylinders (Qty)	Ship Weight (Approx)
60	ELD-050-608-F	5000	72 x 96	58.5 x 93.5	10	10	4.8	2	2800



Self contained, hinged maintenance bars for added safety



Entrapped scissor rollers for additional stability



Rod side of each cylinder is vented to the hydraulic reservoir to eliminate contamination



Trans-A-Dok™

ECO A TAD Series Loading Docks



**Medium Duty,
Electrohydraulic
3,000 to 5,000 lb.
Capacity
For Portable or
Stationary Surface
Installation**

TAD-40-606

Model Number Format

Series "TAD" _____ TAD-40-606
Portable Loading Dock _____
Capacity _____
40 = 4,000 lbs.
Platform Size _____
606 = 6' W x 6' L

Description

ECO A TAD Series Loading Docks are portable loading docks, designed for use wherever a permanently installed unit is not practical. Load capacities are 3,000 to 5,000 lbs., travel distances to 55 in. with platform sizes of 72 x 72 to 72 x 96 in. or 96 x 72 in.

Portability of the TAD Series comes from a detachable dolly jack and flip-up/flip-down wheels to provide 1½ in. underclearance when moving the empty lift.

Standard Features

- Alternate transfer arrangements easily accomplished
- Internally-mounted 1½ HP, 115/230V, 1PH, 60Hz TENV intermittent duty super torque motor. Specify required voltage
- 24V operating control voltage
- NEMA-4X constant-pressure (water-tight, oil-tight and corrosion-resistant) "UP-DOWN" pushbutton control with 10 ft. coiled cord
- NEMA-12 prewired control box (dust/drip-tight industrial type) with liquid-tight electrical connectors. Control box contains magnetic starter, control transformer, thermal overload and fuses
- All controller components are UL and/or CSA approved
- Upper travel limit switch to automatically shut off motor and pump at pre-set height
- 15 ft. power cord with connector plug
- Four-way safety treadplate deck, straight toeguards with black and yellow safety stripes
- Steel approach ramp, 30 x 60 in., hinged, with 2 lifting chains
- Steel bridge plate, 18 x 60 in., hinged with 2 lifting chains
- Four safety chains with snap hooks

- Removable steel handrail 42 in. high with midrail and 4 in. high toeboard
- Rectangular, structural tube scissor legs
- Hinged safety restraint maintenance bars
- Surfaces degreased, oxide primed and finished with two coats of enamel
- Detachable dolly jack and flip-up/flip-down wheels for portability
- Hard, chrome-plated, polished shafting, hydraulic rams and axles at pivot points
- Hydraulic velocity fuse at base of each cylinder
- Lifetime, self-lubricating, anti-friction bearings at all pivot points
- Internal high-pressure gear pump with check valve, relief valve, pressure-compensated flow control valve, solenoid valve, suction and return filters
- Includes hydraulic oil

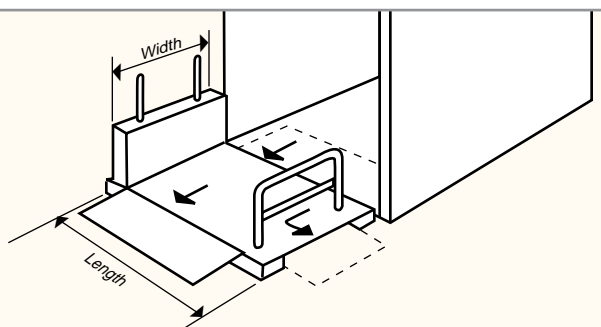
Limited Warranty Policy

Refer to Warranty Form Number WF-0901 for specific details.

Specifications are subject to change without notice.

TAD Series Loading Docks are one of a group of ECO A materials handling products.

Loading/Unloading
Diagram shows TAD in position to load/unload trucks. Removable hand rails allow loading/unloading from the wide side of TAD if desired.





Selector Table for TAD Series. Capacities 3,000 to 5,000 lbs.

Travel	Model	Capacity	Axle Load Maximum Ends/Sides	Platform Size** Width x Length	Height		Up Speed (Approx)	Motor* Std. HP	Cylinders	Ship Weight*** (Approx)
					Lowered	Raised				
55"	TAD-30-606	3,000	1,500	72 x 72	5	60	9	1½	2	4,000
	TAD-40-606	4,000	2,000	72 x 72	5	60	9	1½	2	4,000
	TAD-50-606	5,000	2,500	72 x 72	5	60	9	1½	2	4,000
	TAD-30-608	3,000	1,500	72 x 96	5	60	6	1½	3	4,100
	TAD-40-608	4,000	2,000	72 x 96	5	60	6	1½	3	4,100
	TAD-50-608	5,000	2,500	72 x 96	5	60	6	1½	3	4,100
	TAD-30-806	3,000	1,500	96 x 72	5	60	6	1½	3	4,200
	TAD-40-806	4,000	2,000	96 x 72	5	60	6	1½	3	4,200
	TAD-50-806	5,000	2,500	96 x 72	5	60	6	1½	3	4,200

*Note: Standard Power Supply required is 230V/1PH/60Hz. For operation on 115V power supply it is necessary to provide a separate 30 amp circuit and adequate wiring to assure an actual 115V at the motor contactor during full load operation. Specify if 115V is required. Three phase motor linestarter and transformer are available as options. **The width of the platform is always the direction across the scissor legs, and the length is the direction of the scissor legs. ***Shipping Weights Approximate

Twist Lock Plug Specifications

For all TAD Portable Docks the TwistLock plug supplied with the product conforms to the following specifications. The purchaser is to furnish the mating receptacle.

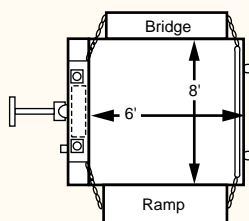
Power Supply	NEMA Configuration	
	ECO A TwistLock Plug	Purchaser Receptacle
208-230 V, 3PH, 60Hz	L15-20P	L15-20R
460 V, 3PH, 60Hz	L16-20P	L16-20R
115 V, 1PH, 60Hz	L5-30P	L5-30R
230 V, 1PH, 60Hz	L6-15P	L6-15R

Options and Accessories

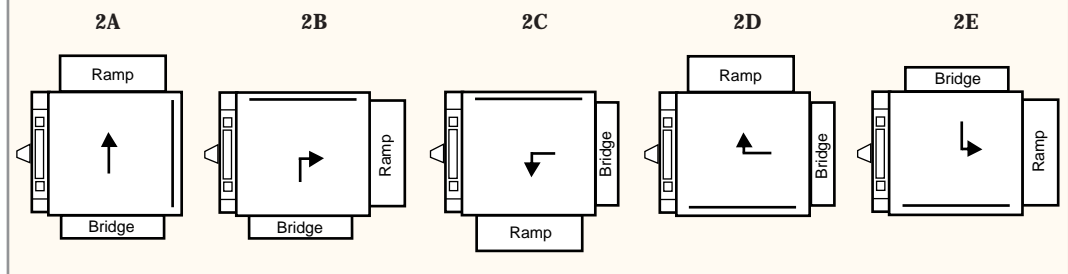
Model	Description
ELC-WB-24-A	Two Second Warning Bell with adjustable volume control-Signals Up and Down-USPS
HLD-FRL	Flashing Red Light-USPS
TAD-AWC-1	Auto Wheel Chock in Ramp-USPS
ELC-P133-02	Oil Reservoir Immersion Heater with Thermostat Control (230V/1PH/60Hz)-USPS
ELC-P133-03	Oil Reservoir Immersion Heater with Thermostat Control (115V/1PH/60Hz)-USPS
TAD-PU-3PH	208/230/460V/3PH/60Hz 3 Phase Power Unit
TAD-FRL-WB	Field Install Package-Flashing Red Light-Two Second Warning Bell complete with Enclosure and Relays
TAD-ABR-1860	Aluminum Bridge Plate 18" x 60"
TAD-RP-3660	Aluminum Approach Ramp 30" x 60"
HLD-SBR-1860	Steel Bridge Plate 18' x 60"
HLT-PU-SP	Larger Power Unit for faster lift speed

Standard transfer arrangement

1A (TAD-40-806 Shown)



Alternate transfer arrangements





Trans-A-Dok™

ECO A TAD-S2 Series Loading Docks



**Heavy Duty,
Electrohydraulic
5,000 to 8,000 lb.
Capacity
Portable or
Stationary
for Surface
Installation**

TAD-S2-50-608-1P

Model Number Format

Series "TAD-S2" — TAD-S2-50-608 S or P
Loading Dock Capacity — 50 = 5,000 lbs.
Platform Size — 608 = 6' W x 8' L
S = Stationary, P = Portable

Description

ECO A TAD-S2 Trans-A-Dok Series loading docks are high speed, high axle load, self contained mobile or stationary lifts that require no pit or concrete work. As mobile units, they can be easily moved to service several locations. Load capacities are 5,000 to 8,000 lbs., travel distances are 54 in. with platform sizes from 72 x 72 to 84 x 120 in.

A detachable dolly and wheels make the TAD-S2 easily portable. If the installation is to be permanent, the unit can be lag bolted to the surface of existing concrete.

Standard Features

- End-to-end, end-to-side or end-to-other-side ramp position. To be specified
- Portable or stationary mounting
- Unitized power unit in a weatherproof steel housing consisting of a 3HP, 230/460V, 3PH, 60Hz. intermittent duty super torque motor, internal high-pressure gear pump with check valve, relief valve, pressure-compensated flow control valve, solenoid valve, suction and return filters. Specify required voltage
- 24V operating control voltage
- NEMA-4 dual keylock "UP-DOWN" pushbutton controls attached at each end of the platform. (Note: Keylock style provided only at bridge end)
- NEMA-12 prewired control box (dust/drip-tight industrial type) with liquid-tight electrical connectors. Control box contains magnetic starter, control transformer, thermal overload and fuse
- All controller components are UL and/or CSA approved
- Upper travel limit switch to automatically shut off motor and pump at pre-set height
- 15 ft. power cord with twist-lock plug
- Four-way safety treadplate deck, straight toeguards with black and yellow safety stripes

- Steel approach ramp, 36 x 60 in., hinged, with 2 safety lifting chains
- Steel bridge plate, 18 x 60 in., hinged with 2 safety lifting chains
- Two steel handrails, 42 in. high with midrails and 4 in. high toeboard
- Four safety chains with snap hooks
- Hinged safety restraint maintenance bars
- Surfaces degreased, oxide primed and finished with two coats of enamel
- Hard, chrome-plated, polished shafting, hydraulic rams and axles at pivot points
- Hydraulic velocity fuse at base of each cylinder
- Lifetime, self-lubricating, anti-friction bearings at all pivot points
- Includes hydraulic oil

Limited Warranty Policy

Refer to Warranty Form Number WF-0901 for specific details.

Specifications are subject to change without notice.

TAD-S2 Series Loading Docks are one of a group of ECO A materials handling products.

Note: When specifying, use the following suffixes after a dash at the end of the model number:

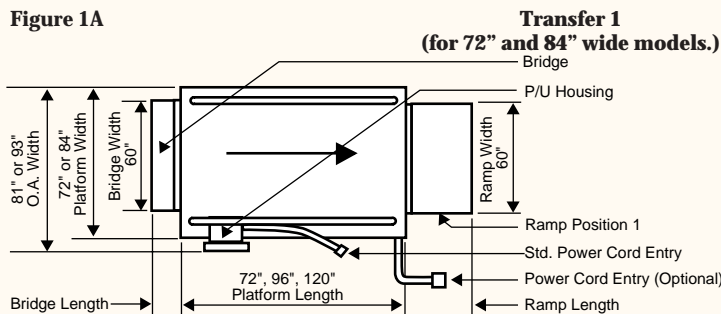
1. First character is ramp position.

Use 1 for end-to-end,
2 for end-to-side (north) and
3 for end-to-side (south).

2. Second character is type of mounting. Use P for portable and S for stationary.

Example: TAD-S2-50-608-1P is a Trans-A-Dok with 5,000 lb. capacity, platform size of 72 x 96 in. with end-to-end transfer and is portable.

Figure 1A





Selector Table for TAD-S2 Series. Capacities 5,000 to 8,000 lbs.

Travel	Model	Capacity	Axle Load Capacity			Platform	Width***	Height		Std. Motor HP*	Speed (Approx.)		Ship Weight** (Approx)	
			Bridge Ends	End Opp Bridge	Sides			Lowered	Raised		Up	Down		
														Empty
54"	TAD-S2-50-606	5,000	3,500	2,800	—	72 x 72	81	6	60	3	14	10	15	4,000
	TAD-S2-50-608	5,000	3,500	2,800	—	72 x 96	81	6	60	3	14	10	15	4,020
	TAD-S2-50-708	5,000	3,500	2,800	2,800	84 x 96	93	6	60	3	14	10	15	4,050
	TAD-S2-50-610	5,000	3,000	2,800	—	72 x 120	81	6	60	3	14	10	15	4,200
	TAD-S2-50-710	5,000	3,000	2,800	2,500	84 x 120	93	6	60	3	14	10	15	4,220
	TAD-S2-60-606	6,000	4,200	3,200	—	72 x 72	81	6	60	3	12	9	15	4,000
	TAD-S2-60-608	6,000	4,200	3,200	—	72 x 96	81	6	60	3	12	9	15	4,020
	TAD-S2-60-708	6,000	4,200	3,200	3,200	84 x 96	93	6	60	3	12	9	15	4,000
	TAD-S2-60-610	6,000	4,000	3,200	—	72 x 120	81	6	60	3	12	9	15	4,200
TAD-S2-60-710	6,000	4,000	3,200	3,200	84 x 120	93	6	60	3	12	9	15	4,220	
53½"	TAD-S2-80-608	8,000	6,500	4,000	—	72 x 96	81	6½	60	3	10	6	15	4,250
	TAD-S2-80-708	8,000	6,500	4,000	4,000	84 x 96	93	6½	60	3	10	6	15	4,200
	TAD-S2-80-610	8,000	6,500	4,000	—	72 x 120	81	6½	60	3	10	6	15	4,225
	TAD-S2-80-710	8,000	6,500	4,000	4,000	84 x 120	93	6½	60	3	10	6	15	4,250

*Standard power supply is 230V/3PH/60Hz. See Options for alternate power supply. **Approximate***Includes platform and power unit. Power requirements depend upon frequency and type of operation and require specific selection. If required voltage is 208V/3PH/60Hz, booster transformers must be furnished. See options, model ELC-P116-05

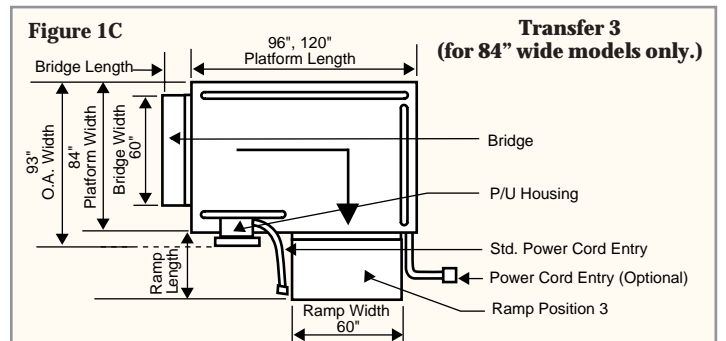
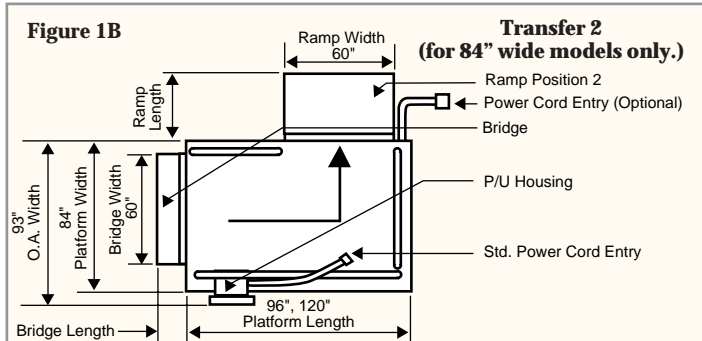
Twist Lock Plug Specifications

For all TAD-S2 Portable Docks the TwistLock plug supplied with the product conforms to the following specifications. The purchaser is to furnish the mating receptacle.

Power Supply	NEMA Configuration	
	ECO A TwistLock Plug	Purchaser Receptacle
208-230 V, 3PH, 60Hz	L15-20P	L15-20R
460 V, 3PH, 60Hz	L16-20P	L16-20R
230 V, 1PH, 60Hz	L6-15P	L6-15R

Options and Accessories

Model	Description
ELC-WB-24-A	Two Second Warning Bell with adjustable volume control - Signals Up and Down - USPS
HLD-FRL	Flashing Red Light - USPS
TAD-S2-PU-1PH-02	3 HP 230 Volt 1 Phase 60 Hz Power Unit (speeds reduced by 33%)
ELC-P133-00	Oil Reservoir Immersion Heater with Thermostat Control (115V/1PH/60Hz)
TAD-PU-R	Remote Power Unit with 15'0" Hydraulic Hose & Limit Switch Wire
TAD-AWC-2	Pop-Up Wheel Chock on Ramp End of Platform - USPS
TAD-FRL-WB	Field Installable Flashing Red Light Kit - Two Second Warning Bell Complete with Enclosure & Relays
TAD-TOW	Tow-Eye System; Dolly Jack has additional Tow-Eye to be attached to fork truck for towing
TAD-ABR-1860	Aluminum Bridge Plate 18" x 60"
TAD-RP-3660	Aluminum Approach Ramp 36" x 60"
HLD-SBR-1860	Steel Bridge Plate 18" x 60"
ELC-P109-10	Upper Travel Limit Switch
ELC-P116-05	Transformer for Boosting Power from 208V/3PH/60Hz to 240V/3PH/60Hz (2 required)





Portable Scissors Lift Platform™

PSIN 3912 Electro-Hydraulic



Electro-Hydraulic Portable Scissors Lift Platform in accordance with Postal Specification USPS-P-730D

TAD-3912

Model Number Format

Series "TAD" TAD-3912
Loading Dock Capacity 4,000 lbs.
Platform Size 72" W x 72" L

Standard Features

- Lifting Capacity 4,000 lbs.
- Platform Size 72" x 72"
- Bridge Plate 18" x 70" Aluminum with chains
- Ramp 30" x 60" Aluminum with built in wheel chock with chains
- Rollover Capacity 10,000 lbs. (lift must be fully lowered)
- Fully Lowered Height 5.375"
- Vertical Travel 50"
- Internal Power Unit 2HP, single phase (Specify 115V/AC or 230V/AC)
- Controls: Push button with 10'-0" coil cord and disconnect plug

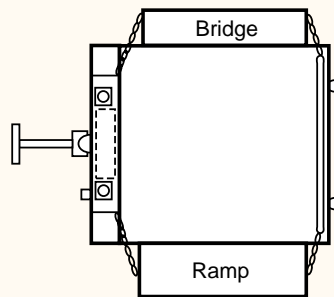
- Handrail: One interchangeable on 3 sides
- Two sets Chains
- 15'0" Power Cord with twist lock plug
- Finished with Yellow FED-STD-595, Color 23655
- Portability Force is 75 lbs.
- Dextron II ATF Hydraulic Fluid (with -50° F pour point)
- Oil sight port
- Hardwood rub bumper across main power unit housing
- F.O.B. Shipping Point: Origin-Hialeah, FL 33010-5543

- Shipping Weight: 2,550 lbs.
- Mode of Transportation: Commercial or Private; Obtain Government Bill of Lading from Material Management Specialist. Shipped Class #65-Item #184975
- Shipping Time: Three to four weeks after receipt of order
- Tax Identification (#): 65-1122893/Small Business (A)
- Commodity Code: 3960 B

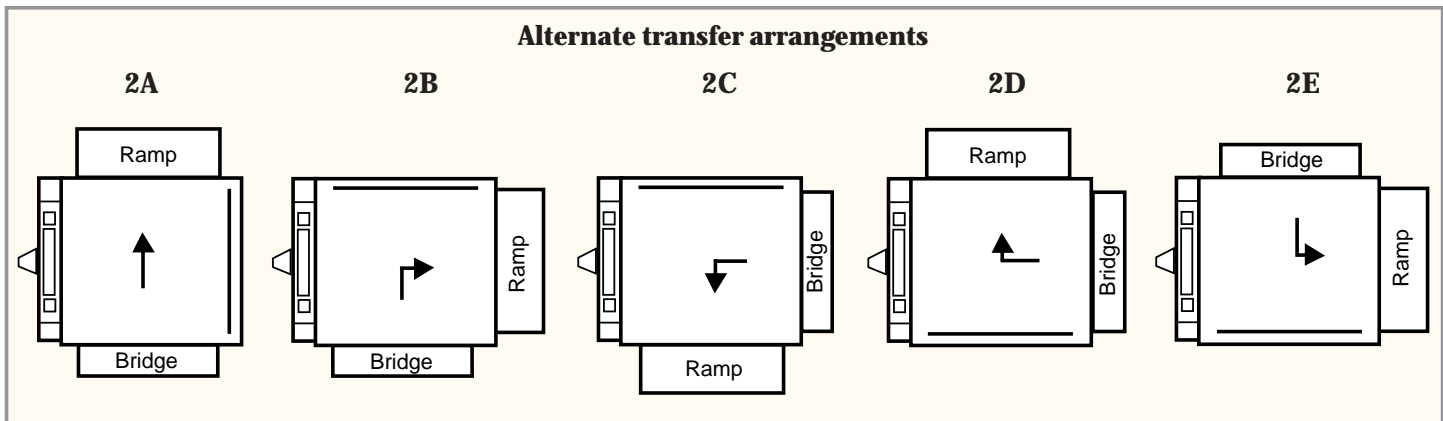
Limited Warranty Policy

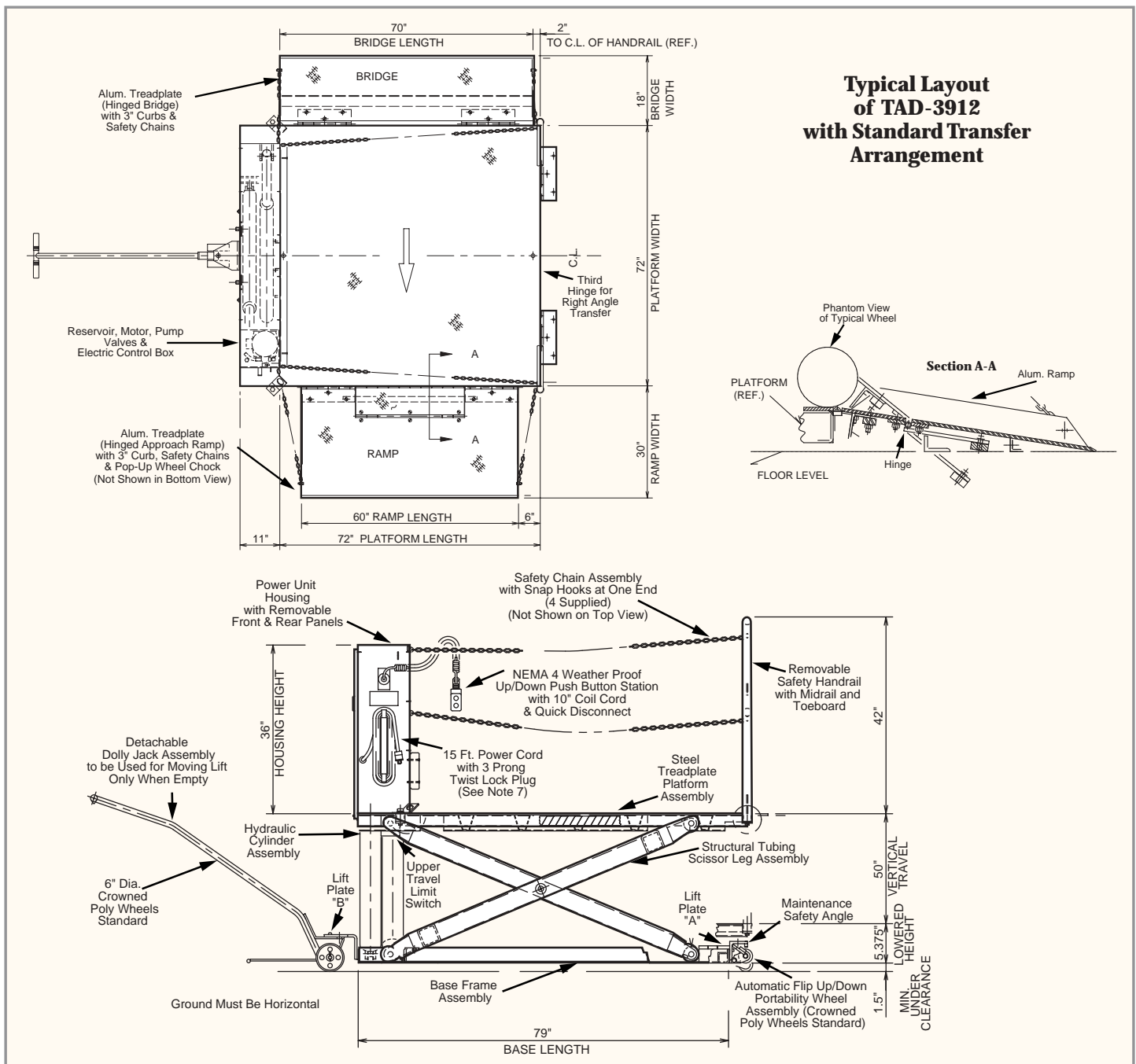
Refer to Warranty Form Number WF-0901 for specific details. Specifications are subject to change without notice.
 TAD Series Loading Docks are one of a group of ECOA materials handling products.

Standard Transfer Arrangement 1A



Alternate transfer arrangements







ECOIA Series Product Range

For In-Plant and Dock Applications

TablLift™ **CLT**



TablLift™ **CDL**



TablLift™ **HLT2**



TablLift™ **HLT Heavy Duty**



LiftTilt™ **CLTLT**



UpEnder™ **HUE**



Myti-Lift™ **CLMYT**



Magnum™ **MLT**



TablTurn™ **TT**



TablTurn™ **TTP**



TilTable™ **HTT**



TilTable™ **HTTSS**



SizzrDok™ **HLD**



SizzrDok™ **SLD**



Trans-A-Dok™ **TAD**



Trans-A-Dok™ **TAD-S2**



ECOIA has been the pioneer in the lift segment of the materials handling industry for over 30 years. As an international leader, the company is known for

its developmental work with loading docks, scissor lifts and other materials handling tools.

As we have grown, our people have amassed a vast depth of knowledge and

experience in solving materials handling problems. We are committed to giving these ideas to the people who can most benefit from them, our customers. Whether they take the form

of pre-engineered options and accessories or custom solutions to unique problems, we encourage your questions and your challenges.

TablLift™ **HLT3, HLT4**



TablLift™ **HLTEXW**



TablLift™ **HLTTL**



Magnum™ **MLTDW**



Magnum™ **MLTDL**



Magnum™ **MLTQD**



The People Who Make the Difference

ECO A has the people and the tools for creating custom products to meet your unique needs. Our in-house professionals have vast experience in the disciplines needed to design and manufacture scissor lifts, loading docks, turntables, tilt tables and upenders. They provide product knowledge and problem-solving experience to meet virtually any lifting need, anywhere in the world.

This inventive engineering department employs state-of-the-art software, with CAD/CAM systems, for custom work. Taking full advantage of the computer, our engineers can identify and consider "what if" options in seconds.

To shorten the lead-time between identification of problems and the development of custom lifting equipment, we have regional technical sales managers at convenient locations across the country. Their role is to work with you, to "uncomplicate" the developmental process by guiding the project through completion. With your own project quarterback, substantial lead time can be cut and the final product will better meet your needs.

TablLift™ **DSL**



TablLift™ **TSL**



TablLift™ **QSL**



We'd Like to Work with You on Your Next Project

Whatever the challenge, our team of industry-leading specialists will welcome the opportunity to assist you with design and development of custom options, accessories and equipment to meet your exact needs. Please talk to your ECO A representative, or the regional manager in your area.



E.A.S.E. Ergonomic Assist and Safety Equipment
A Product Council of The Material Handling Institute
Member Company

LMPS THE MATERIAL HANDLING INDUSTRY OF AMERICA
Lift Manufacturers Product Section
MEMBER COMPANY

MHEDA
Material Handling Equipment Distributors Association

MHI
THE MATERIAL HANDLING INSTITUTE
MEMBER COMPANY

MADE IN THE USA

At ECOA Industrial Products Inc. all of our manufactured products are made in the USA. None of our products are subcontracted. Each unit and every part must meet or exceed the strict standards of ECOA.



So discover for the first time, or rediscover the company that does not forget its most important asset—you!



ECOA INDUSTRIAL PRODUCTS INC.
1000 HIALEAH DRIVE
HIALEAH, FLORIDA 33010-5543
(800) 433-3833 • (305) 885-2111
Fax: (305) 885-8737
www.ecoalifts.com
sales@ecoalifts.com

Distributed by: