

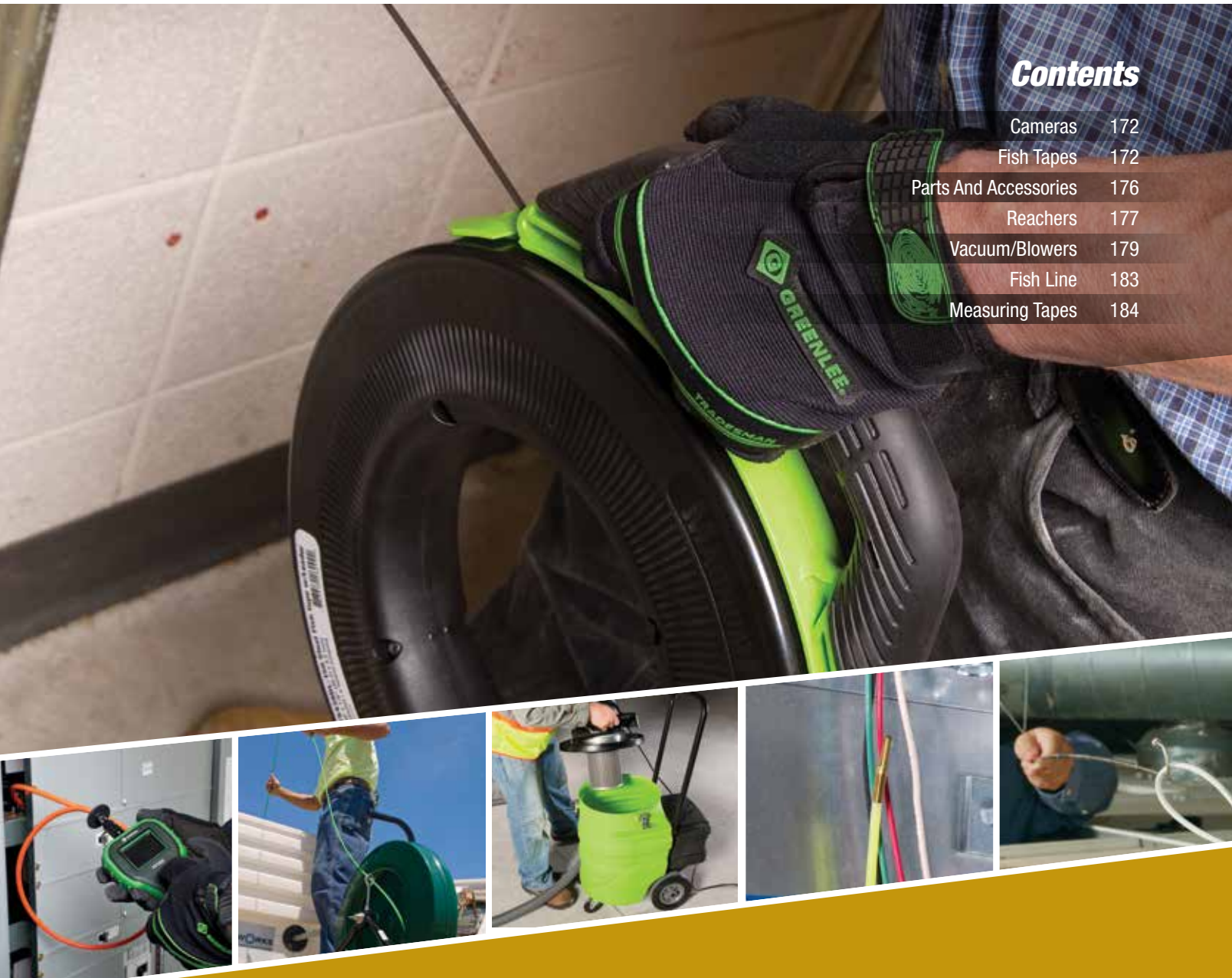


FISHING

WHATEVER YOUR FISHING NEED, GREENLEE HAS THE TOOL. FROM NYLON, FIBERGLASS AND FLAT STEEL TAPES, TO FISH STIX™ AND GLO STIX™ FISHING RODS, GREENLEE FISHING TOOLS GET THE JOB DONE FASTER, SAFER, AND EASIER®.

Contents

Cameras	172
Fish Tapes	172
Parts And Accessories	176
Reachers	177
Vacuum/Blowers	179
Fish Line	183
Measuring Tapes	184



CAMERAS

FF200 FishFinder® Plus Vision System



- Inspect near energized circuits with 4' (1.2m) CAT IV 600V; CAT III 1000V optical cable
- Water tight optical cable for submerged inspections
- Built-in memory for capturing over 2000 pictures
- Image download capability & RCA video output
- 180° image rotation for easy viewing

SPECIFICATIONS

CAT IV 600V; CAT III 1000V optical cable
TÜV Product Service
CE Rating-European Directives

- Kit Includes:**
- Handheld Display Unit
 - 4' (1.2m) CAT IV 600V; CAT III 1000V Optical Cable
 - 4 AA Batteries
 - USB Cable
 - Hook, Magnet and Mirror Tip Accessories
 - Rugged Carrying Case

CAT. NO.	UPC NO.	DESCRIPTION
FF200	12424	FishFinder® Plus Vision System
56270	56270	48" (14 mm) Replacement Optical Cable

FISH TAPES

SmartMARK™ Laser Etched Fish Tapes with SpeedFlex® Leaders



- Laser etched feet & meter distance markings every 1' (.3 m)*
- Fish farther and faster with the Speed Flex® leader
- Advanced over molded comfort grip and rugged case design
- Superior rapid tape pay-out and rewind
- Viewing ports to see amount of tape remaining in the case

SPECIFICATIONS

	FTS438DL-150	FTS438DL-250
Length:	150' x 1/8" (45 m x 3 mm)	250' x 1/8" (76 m x 3 mm)
Weight:	6.5 LBS(2.9 kg)	9.0 LBS(4.1 kg)

CAT. NO.	UPC NO.	DESCRIPTION
FTS438DL-150	26299	SmartMARK™ 150' Laser Etched Steel Fish Tape w/ SpeedFlex® Leader
FTS438DL-250	26301	SmartMARK™ 250' Laser Etched Steel Fish Tape w/ SpeedFlex® Leader

*Note: First mark is at 2' (.6 m) since leader is 1' (.3m) long.



MagnumPRO™ Oil-Tempered Spring Steel Fish Tapes



FTS438-125

- Rugged case design improves drop impact capability
- Oil-tempered spring steel for excellent fishing performance
- Advanced comfort handle grip reduces fatigue
- Superior rapid tape pay-out and rewind
- Improved low profile tip for easy fishing through all sizes of conduit
- Viewing Port gives visibility to remaining tape and ability to remove job site debris quickly
- 1/8", 1/4" and flat steel profiles to accommodate different fishing situations

SPECIFICATIONS

Capacity	1/8" (3.2 mm) tape width- 400 LBS (1.7 kN) maximum design strength
	1/4" (6.4 mm) tape width – 400 LBS (1.7 kN) maximum design strength.
	438-5H - 1/8" (3.2 mm) tape width- 400LBS (1.7 kN) maximum design strength.
Weight	FTS438-65- 3.1 LBS (1.4 kg)
	FTS438-125 - 5.5 LBS (2.5 kg)
	FTS438-240 - 8.5 LBS (3.9 kg)
	FTS438W-100 – 7.2 LBS (3.3 kg)
	S438W-200 – 10.9 LBS (4.9 kg)
	438-5H – 2.8 LBS (1.3 kg)
	438-2X - 1.3 LBS (.6 kg)

CAT. NO.	UPC NO.	DESCRIPTION
438-5H	07500	Steel Fish Tape - 50' × 1/8" (15.2' × 3.2 mm)
FTS438-65	12729	Steel Fish Tape - 65' × 1/8" (19.8 m × 3.2 mm)
FTS438-65BP	10028	Steel Fish Tape - 65' × 1/8" (19.8 m × 3.2 mm) 3-PACK
FTS438-125	12709	Steel Fish Tape - 125' × 1/8" (38.1 m × 3.2 mm)
FTS438-125BP	10046	Steel Fish Tape - 125' × 1/8" (38.1 m × 3.2 mm) 3-PACK
FTS438-240	12730	Steel Fish Tape - 240' × 1/8" (73.2 m × 3.2 mm)
FTS438-240BP	10048	Steel Fish Tape - 240' × 1/8" (73.2 m × 3.2 mm) 3-PACK
FTS438W-100	12710	Steel Fish Tape - 100' × 1/4" (30.5 m × 6.4 mm)
S438W-200	12476	Steel Fish Tape - 200' × 1/4" (61 m × 6.4 mm) (No Case)
R RS438-65	12469	Replacement Steel Tape - 65' (NO CASE)
R RS438-125	12470	Replacement Steel Tape - 125' (NO CASE)
R RS438-240	12471	Replacement Steel Tape - 240' (NO CASE)
R RS438W-100	12472	Replacement Steel Tape - 100' × 1/4" (NO CASE)

Flat-Steel Fish Tape - 1/4" Wide



438-2X

- Flat steel tape reaches easily above ceilings, under carpets, and through walls to install wire
- 25' (7.6 m) long, extending your reach
- Winder case with crank handle for easy, compact storage

SPECIFICATIONS

Weight	1.25 lb (0.6 kg)
---------------	------------------

CAT. NO.	UPC NO.	DESCRIPTION
438-2X	01696	25' x 1/4" x 0.030" (7.6 m x 6.4 mm x 0.8 mm) Steel Fish Tape

MagnumPRO™ Stainless Steel Fish Tapes - 1/8" Wide





FTSS438-100

- Corrosion free stainless steel tape for maximum life
- Fish further and faster with Speed Flex leader
- Advanced comfort handle grip reduces fatigue
- Viewing Port gives visibility to remaining tape and ability to remove job site debris quickly
- Rugged case design improves drop impact capability

SPECIFICATIONS

Capacity 1/8" (3.2 mm) tape width-400 LBS (1.7 kN) maximum design strength
Weight FTSS438-100 - 4.8 LBS (2.2 kg);
 FTSS438-200 - 7.4 LBS (3.4 kg)

CAT. NO.	UPC NO.	DESCRIPTION
FTSS438-100	12711	Stainless Steel Fish Tape - 100' × 1/8" (30.5 m × 3.2 mm)
FTSS438-200	12712	Stainless Steel Fish Tape - 200' × 1/8" (61 m × 3.2 mm)
 RSS438-100	12480	Replacement Stainless Steel Tape - 100' (NO CASE)
 RSS438-200	12481	Replacement Stainless Steel Tape - 200' (NO CASE)

MagnumPRO™ Flexible Steel Fish Tapes




FTFS439-100

- Multi-strand steel cable for maximum flexibility
- Advanced comfort handle grip reduces fatigue
- Viewing Port gives visibility to remaining tape and ability to remove job site debris quickly
- Rugged case design improves drop impact capability

SPECIFICATIONS

Capacity 3/16" (4.8 mm) tape width – 500 LBS (2.2 kN) maximum design strength.
Weight FTFS439-50 – 5.6 LBS (2.5 kg);
 FTFS439-100 – 8.9 LBS (4.0 kg);
 FS439-100 – 6.2 LBS (2.8 kg)

CAT. NO.	UPC NO.	DESCRIPTION
FTFS439-50	12713	Flexible Steel Fish Tape - 50' × 3/16" (15.2 m × 4.8 mm)
FTFS439-100	12714	Flexible Steel Fish Tape - 100' × 3/16" (30.5 m × 4.8 mm)
 FS439-100	12482	Flexible Steel Fish Tape - 100' × 3/16" (30.5 m × 4.8 mm) Double Tip (NO CASE)

MagnumPRO™ Fiberglass Fish Tapes



FTF540-50



542-200

- Rugged case design improves drop impact capability
- Non-conductive fiberglass tape with patented low-friction coating for faster and easier fishing
- Perfect for fishing in conduit with wire or cable present
- Superior rapid tape pay-out and rewind
- Improved low profile tip for easy fishing through all sizes of conduit
- Viewing Port gives visibility to remaining tape and ability to remove job site debris quickly
- Exclusive, unique, lightweight reel for easy positive feed out and rewind

SPECIFICATIONS

Capacity	540 Series- 0.175" (4.4 mm) dia. - 300 LBS (1.3 kN) maximum design strength
	542 Series-3/16" (4.7 mm) dia. - 400 LBS (1.7 kN) maximum design strength
Weight	FTF540-50 - 2.8 LBS (1.3 kg)
	FTF540-100 - 3.4 LBS (1.5 kg)
	542-200 - 16 LBS (7.2 kg)
	542-250 - 17 LBS (7.7 kg)

CAT. NO.	UPC NO.	DESCRIPTION
FTF540-50	12717	Fiberglass Fish Tape - 50' × 11/64" (15.2 m × 4.3 mm)
FTF540-100	12718	Fiberglass Fish Tape - 100' × 11/64" (30.5 m × 4.3 mm)
542-150	35745	Fiberglass Fish Tape 150' × 3/16" (61 m × 4.8 mm) IN REEL STAND
542-200	35746	Fiberglass Fish Tape 200' × 3/16" (61 m × 4.8 mm) IN REEL STAND
542-250	35747	Fiberglass Fish Tape 250' × 3/16" (76.2 m × 4.8 mm) IN REEL STAND
R 05157	05157	Replacement Fiberglass Tape - 200' × 3/16" (NO CASE)
R 05158	05158	Replacement Fiberglass Tape - 250' × 3/16" (NO CASE)
R 10565	10565	Pulling Eye Repair Kit for 11/64" (4.3mm) Diameter Fish Tapes (Includes: pulling eye & adhesive)
R 35750	35750	Accessory Kit for 3/16" (4.78 mm) Fish Tapes (Includes flexible pulling leader, flexible pushing leader, pulling eye, splice ferrule and threaded ferrule)
R 35908	35908	1/8" (3 mm) Repair Kit (Includes threaded end ferrule, splice ferrule and pulling eye)
R 35909	35909	3/16" (4.7 mm) Repair Kit (Includes threaded end ferrule, splice ferrule and pulling eye)
A 35919	35919	1/8" (3 mm) Pulling Eye
A 35930	35930	3/16" (4.7 mm) Pulling Eye

MagnumPRO™ Nylon Fish Tapes



FTN536-50

- Non-conductive, curl resistant nylon tape for fast, clean fishing
- Good for fishing in conduit with wire or cable present
- Rugged case design improves drop impact capability
- Advanced comfort handle grip reduces fatigue
- Nylon fish tape is intended for fishing only - rope or line is recommended for pulling

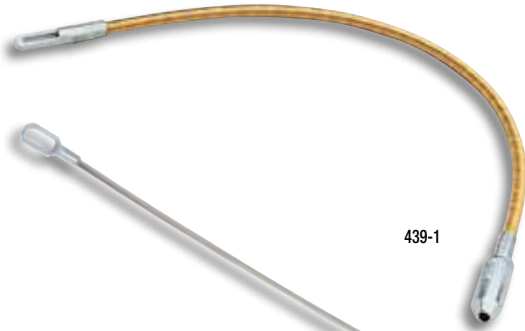
SPECIFICATIONS

Capacity	3/16" (4.8 mm) diameter – 250 LBS (1.1 kN) maximum design strength
Weight	FTN536-50 – 2.9 LBS (1.3 kg)
	FTN536-100 – 3.6 LBS (1.6 kg)

CAT. NO.	UPC NO.	DESCRIPTION
FTN536-50	12715	Nylon Fish Tape 50' × 3/16" (15.2 m × 4.8 mm)
FTN536-100	12716	Nylon Fish Tape 100' × 3/16" (30.5 m × 4.8 mm)
R RN536-50	12483	Replacement Nylon Fish Tape 50' (NO CASE)
R RN536-100	12484	Replacement Nylon Fish Tape 100' (NO CASE)
R 01664	01664	Replacement Tip for 436 Nylon Fish Tape (Requires Greenlee K05 or K09 series crimper or #6 hex crimp to install.)

PARTS AND ACCESSORIES

Replacement Cases and Leaders



439-1

439-2

- Silver-solder joint attaches to any 1/8" (3.2 mm) x .060" (1.5 mm) steel fish tape to provide a slim profile that fishes farther, faster
- High-strength stainless steel cable is used for reliability and long life
- Beveled edges on the leader reduce the possibility of hang-ups when pulling wire
- Up to (6) #10 wires can be attached to the large pulling eye

CAT. NO.	UPC NO.	DESCRIPTION
439-1	30859	12" (305 mm) Flexible Fish Tape Leader
439-2	14392	12" (305 mm) SPEED FLEX Leader (solder joints)
10052	10052	12" Case/Handle Replacement Kit



10052

REACHERS

Fish Stix™

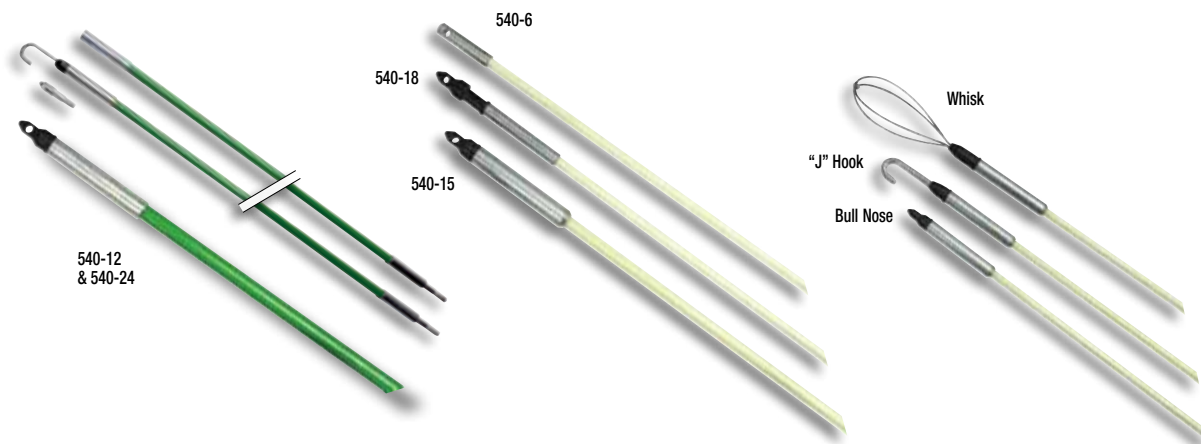
- Highly visible green color rods can be easily threaded together and seen when working above ceilings, down walls, or under raised floors
- 1/4" (6.4 mm) diameter fiberglass adds rigidity when connecting multiple sections
- 200 LBS (0.9 kN) maximum pulling strength
- Two different threaded tips accommodate various bundles of wire or cable



Glo Stix™

- Luminescent fiberglass rods glow in the dark for fishing in dark spaces
- More flexible for fishing in walls through outlet box holes
- Sturdy, steel-threaded connectors are interchangeable with Greenlee 1/4" (6.4 mm) Fish Stix™
- Clear, non-metallic storage tube keeps Glo Stix™ charged and ready to use
- 200 LBS (0.9 kN) maximum pulling strength

CAT. NO.	UPC NO.	DESCRIPTION
540-12	10504	Fish Stix™ Kit: 1/4" x 12' (6.4 mm x 3.6 m) with bullet & "J" hook nose tips
540-24	10506	Fish Stix™ Kit: 1/4" x 24' (6.4 mm x 7.3 m) with bullet & "J" hook nose tips
540-8M	12918	Glo Stix™ Kit: 3/16" x 8' long with bullet & "J" hook nose tips
540-15	11422	Glo Stix™ Kit: 3/16" x 15' (4.7 mm x 4.6 m) with bullet & "J" hook nose tips
540-6	86795	Glo Stix™, single 5/32" x 6' (4.0 mm x 1.8 m) with fixed bullet nose on both ends
540-18	86796	Glo Stix™ Kit: 5/32" x 18' (4.0 mm x 5.5 m) with bullet & "J" hook nose tips
540-20P	12919	Professional Installers Kit: (3)-1/4" x 4' Fish Stix™ sections, (2)-3/16" x 2' Glo Stix™ Sections & (1)-5/32" x 4' Glo Stix™ Section, (1) whisk, (1) "J" hook, (1) bullet nose
A 10497	10497	Hook Nose Tip
A 10498	10498	Bullet Nose Tip
A 11426	11426	Whisk Nose Tip



SPECIFICATIONS	FISH STIX™				GLO STIX™		
	540-12	540-24	540-8M	540-15	540-6	540-18	540-20P
Overall Length	12' (3.6 m)	24' (7.3 m)	8' (2.4 m)	15' (4.6 m)	6' (1.8 m)	18' (5.5 m)	6' (1.8 m)
Sections	3	5	5	3	1	3	6
Section Length	4' (1.2 m)	(3) 6' (1.8 m), (1) 3' (0.9 m) & (1) 3' (0.9 m) Glo Stix™ Section	20" (.5 m)	5' (1.5 m)	6' (1.8 m)	6' (1.8 m)	†
Diameter	1/4" (6.4 mm)	1/4" (6.4 mm)	3/16" (4.8 mm)	3/16" (4.7 mm)	5/32" (4.0 mm)	5/32" (4.0 mm)	5/32" (4.0 mm)
Weight	1.04 LBS (0.5 kg)	1.94 LBS (0.9 kg)	.8 LBS (0.4 kg)	1 LBS (0.5 kg)	.4 LBS (0.2 kg)	.8 LBS (0.4 kg)	.4 LBS (0.2 kg)
Material	Fish Stix™	Fish Stix™	Glo Stix™	Glo Stix™	Glo Stix™	Glo Stix™	Glo Stix™
Minimum Bend Radius	6 1/2" (165 mm)	6 1/2" (165 mm)	4 1/4" (108 mm)	4 1/4" (108 mm)	3 1/2" (89 mm)	3 1/2" (89 mm)	3 1/2" (89 mm)

†540-20P includes: (3)-1/4" x 4' Fish Stix™ sections, (2)-3/16" x 2' Glo Stix™ Sections & (1)-5/32" x 4' Glo Stix™ Section.

3' Wire Reacher



FP3



- Extends your reach above ceilings and walls
- Stainless-steel construction for long life
- Hook can be used to install cables and wires up to 3/4" (19 mm) diameter
- Clip included for easy storage in shirt pocket
- Magnetic back for retrieving metal objects

SPECIFICATIONS

Extended length:	38" (965 mm)
Collapsed length:	6-3/8" (162 mm)
Diameter:	3/8" (9.5 mm)
Weight:	1.6 oz (46 g)

CAT. NO.	UPC NO.	DESCRIPTION
FP3	23902	3' Wire Reacher

Fish Poles



Designed specifically for pushing and pulling wires over long distances

- Push or pull wires over suspended ceilings, under sub-floors or crawl spaces and in attics
- Install suspension wires for drop ceilings
- Non-conductive, high-impact construction
- Velcro strap secures pole when in collapsed position
- Self-contained, no loose parts
- Lightweight design to minimize fatigue

SPECIFICATIONS

	FP12 FISH POLE	FP18 FISH POLE	FP24 FISH POLE
Extended length:	12' (3.7 m)	18' (5.48 m)	24' (7.31 m)
Collapsed length:	26" (660 mm)	27" (686 mm)	50" (1270 mm)
Diameter:	1 1/4" (32 mm)	2" (50 mm)	2 1/4" (57 mm)
Weight:	1.3 lb. (0.6 kg)	2 1/2 lb. (1.1 kg)	4 1/4 lb. (1.9 kg)



FP24

FP12

FP18

CAT. NO.	UPC NO.	DESCRIPTION
FP12	02268	Fish Pole 12 ft.
FP18	10442	Fish Pole 18 ft.
FP24	10443	Fish Pole 24 ft.
R 10453	10453	Replacement Hook

CableCaster®



06186

Significantly speeds up the installation of lightweight communications cable through hard-to-reach spaces such as suspended ceilings, rafters and sub-floors

- 50' (15 m) range allows for faster installations with fewer pulls
- Bright yellow body reduces chances of leaving the CableCaster behind
- Glow-in-the-dark darts are easy to locate
- Aerodynamic darts provide high accuracy and fast installation
- Pen-light flashlight mount

CAT. NO.	UPC NO.	DESCRIPTION
06186	06186	CableCaster® Wire Pulling Tool with Three Darts
R 06259	06259	CableCaster® Replacement Darts (Pack of Four)

VACUUM/BLOWERS

690-15 Vacuum/Blower Power Fishing System

NEW PRODUCT



NRTL/C



- Rugged, self-contained unit includes everything you need to blow or vacuum fish line, poly line or measuring tape
- Durable tank and accessory storage box are corrosion, chemical and impact-resistant polyethylene
- Designed for the job site; 10' (3.05 m) long hose, large heavy-duty wheels and removable accessory box
- Large 11 gallon (41.6 l) tank makes the 690 excellent for vacuuming water and debris

SPECIFICATIONS

Capacity	1/2" - 4" Conduit (5" and 6" with optional foam pistons) see page 182
Power Source	120 VAC
Weight	50 LBS (22.7 kg)
Air Flow	120 cfm
Pressure	Will lift 110" (2794 mm) of water

CAT. NO.	UPC NO.	DESCRIPTION
N 690-15	01554	Vacuum/Blower Power Fishing System - 120 VAC
A 618	16517	Piston for 5" Conduit
A 619	16951	Piston for 6" Conduit
A 16646	16646	Accessory - Adapter for 5" - 6" conduit

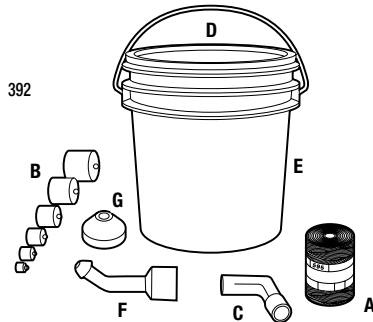


KEY	CAT. NO.	UPC NO.	DESCRIPTION
A	24779	24779	Piston set for 1/2"-4" conduit (EMT & Rigid)
B	23360	23360	Adapter Nozzle for tape and line
C	25646	25646	Adapter Cone 1/2"-1" Conduit
D	25644	25644	Adapter Cone 1-1/4"-2-1/2" Conduit
E	25645	25645	Adapter Cone 3"-4" Conduit
F	595	32433	Fish Line – 85 LBS (378 N) pulling strength; 2,150' (655 m) long
G	690-RM	01552	Replacement Motor for 690-15
H	690-RT	01553	Replacement Tank for 690-15
I	RH10	01541	Flexible Hose 10' x 1 1/2" (3.05 m x 38.1 mm)
I	RH15	01542	Flexible Hose 15' x 1 1/2" (4.57 m x 38.1 mm)
I	RH25	01543	Flexible Hose 25' x 1 1/2" (7.62 m x 38.1 mm)

Li'l Fisher® 390 Power Fishing System



390



392

SPECIFICATIONS

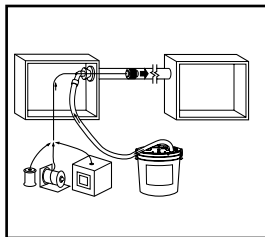
Capacity	1/2"-2" conduit with optional Accessory Kit (2-1/2"-4" with optional foam pistons) Liquid Capacity- 1.75 gal. (6.5 l) Use 690 Power Fishing System for greater liquid capacity requirements
Power Source	120 VAC, 1/2 H.P.
Weight	390-19 LBS (8.6 kg)
Air Flow	101.2 cfm (2.83 cMm)
Vacuum Lift	137.1" (3482 mm) of Water

CAT. NO.	UPC NO.	DESCRIPTION
390	38594	Li'l Fisher Vacuum/Blower Power Fishing System - Includes only unit and 38624 hose
A 392	39051	Power Fishing System Accessory Kit- Includes all items below

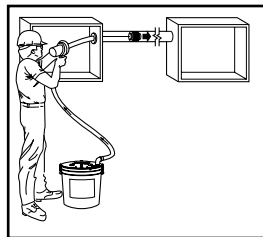
392 / 39051 ACCESSORY KIT INCLUDES:

KEY	CAT. NO.	UPC NO.	DESCRIPTION	QTY:
A	595	32433	Fish Line – 85 LBS (378 N) pulling strength; 2,150' (655 m) long	1
B	608	11038	Piston for 1/2" Conduit	1
B	609	11039	Piston for 3/4" Conduit	1
B	610	11040	Piston for 1" Conduit	1
B	611	11041	Piston for 1-1/4" Conduit	1
B	612	11042	Piston for 1-1/2" Conduit	1
B	613	16511	Piston for 2" Conduit	1
C	23360	23360	Adapter Nozzle for Measuring Tape	10
D	39063	39063	Accessory Container Lid	1
E	54284	54284	Accessory Container	1
F	25646	25646	1/2"-1" Cone adapter	1
G	25644	25644	1-1/4"-2-1/2" Cone adapter	1

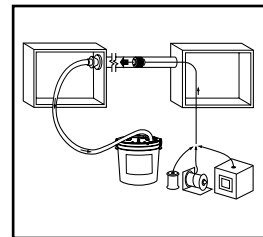
*See page 182 for replacement pistons



Blowing a piston through conduit using 390 Li'l Fisher™ Power Fishing System. Can be used with fish line, poly line or measuring tape.



Blowing a piston through conduit using 390 Li'l Fisher™ Power Fishing System using 691 Blow Gun with 595 Mighty Mouser® Fish Line.



Vacuuming a piston through conduit using 390 Li'l Fisher™ Power Fishing System. Can be used with fish line, poly line or measuring tape.

Portable Blower Power Fishing System



- Powerful, will blow line or measuring tape in up to 6" conduit
- Portable, lightweight blower has shoulder strap to make it easy to carry and allow the operator to have both hands free
- Efficient, includes the Mighty Mouser® blow gun for fast, easy line blowing

SPECIFICATIONS

Capacity	1/2" - 4" Conduit (5" and 6" with optional foam pistons)
Power Source	120 VAC 20 Amp
Weight	34 LBS (15.2 kg)

CAT. NO.	UPC NO.	DESCRIPTION
591	32432	Portable Blower Power Fishing System
A 618	16517	Piston for 5" Conduit
A 619	16951	Piston for 6" Conduit
A 16646	16646	Adapter for 5" - 6" conduit

*See next page for parts list.

Mighty Mouser® Blow Gun Kit



- This compact, self-contained Lexan® thermoplastic blow gun holds a 2,150' (655 m) package of 85 lb. (378 N) breaking strength fish line
- Compact self-contained unit leaves one hand free for more efficient operation
- Mighty Mouser® Blow Gun and Accessories all fit into a compact sturdy metal case

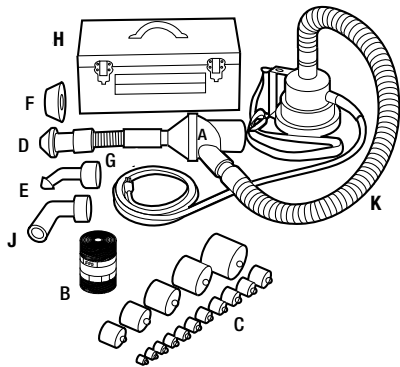
SPECIFICATIONS

Capacity	1/2" - 4" conduit, through 6" with additional optional accessories
Power Source	Use with blower power fishing systems
Weight	592-20 LBS (9 kg) 691-1.7 LBS(0.8 kg)

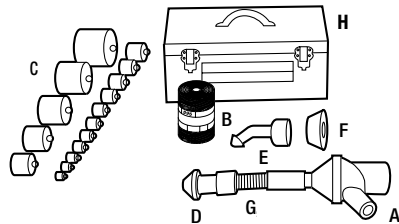
CAT. NO.	UPC NO.	DESCRIPTION
592	32565	Mighty Mouser® Blow Gun Kit for 1/2" - 4" Conduit in metal box
R 691	32095	Mighty Mouser Blow Gun (only)
A 595	32433	Fish Line - 85 LBS (378 N) pulling strength; 2,150' (655 m) long
A 618	16517	Piston for 5" Conduit
A 619	16951	Piston for 6" Conduit
A 16646	16646	Adapter for 5" - 6" conduit

*See next page for parts list.

Parts List for Models 591 and 592



591 Portable Blower Power Fishing System



592 Mighty Mouser® Blow Gun Kit

KEY	CAT. NO.	UPC NO.	DESCRIPTION	592	591
A	691	32095	Mighty Mouser® Blow Gun	1	1
B	595	32433	Fish Line – 85 LBS (378N) pulling strength; 2,150' (655 m) long	1	1
C	24779	24779	Piston set for 1/2"-4" conduit (EMT & Rigid)		
D	25644	25644	Adapter Cone 1-1/4"-2-1/2" Conduit	1	1
E	25646	25646	Adapter Cone 1/2"-1" Conduit	1	1
F	25645	25645	Adapter Cone 3"-4" Conduit		
G	32104	32104	Flexible Hose 1-1/2" dia. x 1' (38.1 mm x 305 mm)	1	1
H	32662	32662	Storage Box	1	1
J	23360	23360	Adapter Nozzle for Tape and Line		1
K	32431	32431	Flexible Hose 1-1/2" x 4' (38.1 mm x 1.2 m)		1

*See below

Conduit Pistons



S2613

PISTON SETS

CAT. NO.	UPC NO.	DESCRIPTION
S2613	26777	1/2", 3/4", 1", 1-1/4", 1-1/2" and 2" EMT, IMC and Rigid
34317	34317	2-1/2", 3", 3-1/2" and 4" EMT

- Use with blower or vacuum power fishing system to pioneer the line through the conduit run
- Flexible foam body for an air-tight seal
- Color-coded end disk with embossed size markings for fast, easy selection
- Strong steel center rod with loops on both ends
- Pistons available for all types and sizes of conduit 1/2" through 6"

INDIVIDUAL PISTONS

CAT. NO.	UPC NO.	PACKAGE	CONDUIT SIZE	CONDUIT TYPE	COLOR
608-5	08263	POP	1/2"	All	Green
608	11038	BULK	1/2"	All	Green
609-5	08264	POP	3/4"	All	Green
609	11039	BULK	3/4"	All	Green
610-5	08265	POP	1"	All	Green
610	11040	BULK	1"	All	Green
611-3	08266	POP	1-1/4"	All	Green
611	11041	BULK	1-1/4"	All	Green
612-2	08267	POP	1-1/2"	All	Green
612	11042	BULK	1-1/2"	All	Green
613	16511		2"	All	Green
614	16512		2-1/2"	IMC, Rigid	Green
621	19107		2-1/2"	EMT	Yellow
615	16513		3"	IMC, Rigid	Green
622	19109		3"	EMT	Yellow
616	16514		3-1/2"	IMC, Rigid	Green
646	24326		3-1/2"	EMT	Yellow
617	16515		4"	IMC, Rigid	Green
623	19110		4"	EMT	Yellow
618	16517		5"	All	Green
619	16951		6"	All	Green

FISH LINE

Fish Line



595

- Strong, lightweight nylon
- 595 – Center feed for fast payout without tangling. Use with Mighty Mouser® blow gun
- 604, 605, 606 and 607 – Specially wound to payout fast from outside without tangles
- Mildew-resistant, can be pulled into the run with the wire to provide a means to add wires later

CAT. NO.	UPC NO.	STRENGTH		LENGTH	
		LBS.	N	FT	M
595	32433	85	378	2150	655
604	23368	85	378	2200	670
605	16504	45	200	2750	838
606	16505	72	320	1700	517
607	16506	90	400	1350	411

Poly Line



430

430-500 Poly Line

- Ready-to-use, pre-punched hole in lid with resealable cap
- Use with power fishing systems directly from the container
- Resists tangling when dispensing
- Rot and mildew resistant
- Handy reusable plastic dispenser pail with handle keeps the line dry
- Use to pull rope through conduit

SPECIFICATIONS

Capacity	430 and 430-500 - 210 LBS (934 N) average breaking strength 431 - 240 LBS (1 kN) average breaking strength 37959 - 500 LBS (2.2 kN) average breaking strength
Weight	430 - 11 LBS (5 kg) 430-500 - 1 lb. (0.5 kg) 431 - 12 LBS (5.4 kg) 37959 - 12 LBS (5.4 kg)

CAT. NO.	UPC NO.	DESCRIPTION
430	21481	Poly Line 6500' (1981 m), Green Tracer
430-500	12598	Poly Line 500' (152 m), Green Tracer
431	21482	Poly Line 5200' (1585 m), Yellow Tracer
37959	37959	Poly Line 2200' (670 m), Red Tracer

MEASURING TAPES

High-Strength Polyaramid Measuring/Pulling Tapes



39245

- Pull small cables or install pull rope for large cable pulling jobs
- Made of Polyaramid (equivalent to Kevlar®*), will not rot or deteriorate and can be left in ducts indefinitely for future use
- Low stretch properties make measurements accurate
- Printed measurements every foot from zero to 3000' (914 m)
- Use 406 Dispenser (see page 444)

SPECIFICATIONS

Cat. No.	Average Breaking Strength	Length	Weight
39243	1250 LBS (5.56 kN)	3000' (914 m)	10.5 LBS (4.8 kg)
39244	1800 LBS (8.01 kN)	3000' (914 m)	14.5 LBS (6.6 kg)
39245	2500 LBS (11.12 kN)	3000' (914 m)	18 LBS (8.2 kg)

CAT. NO.	UPC NO.	DESCRIPTION
39243	39243	Conduit Measuring Tape 1/4" x 3000' (6.4 mm x 914 m)
39244	39244	Conduit Measuring Tape 3/8" x 3000' (9.5 mm x 914 m)
39245	39245	Conduit Measuring Tape 1/2" x 3000' (12.7 mm x 914 m)

* Kevlar is a registered trademark of E. I. DuPont, Inc.

High-Strength Polyester Measuring/Pulling Tapes



4436



- Durable and stretch-resistant tape for easily pulling and installing wire and fiber optic cables within PVC and HDPE ducts
- Factory-lubricated to reduce burn-through in inner duct
- Easy-to-read footage markings for quick and accurate measurements
- Available in various tensile strengths for use in any application

SPECIFICATIONS

Cat. No.	Average Breaking Strength	Length	Weight
4435	1250 LBS (5.56 kN)	3000' (914 m)	23.6 LBS (10.7 kg)
4436	1800 LBS (8.01 kN)	3000' (914 m)	31.2 LBS (14.2 kg)
4437	2500 LBS (11.12 kN)	3000' (914 m)	39.4 LBS (17.9 kg)

CAT. NO.	UPC NO.	DESCRIPTION
4435	10445	Polyester Measure/Pulling Tape 1/2" x 3,000' (12.7 mm x 914m)
4436	10446	Polyester Measure/Pulling Tape 5/8" x 3,000' (15.9 mm x 914m)
4437	10447	Polyester Measure/Pulling Tape 3/4" x 3,000' (19.1 mm x 914m)

Polyester Measuring Tape and Dispenser



435 Measuring Tape shown on 434 Dispenser - sold separately.

- Fish and measure conduit runs in one operation
- Permanently printed measurements every foot from zero to 3000' (914 m)
- Made of strong, waterproof polyester
- Pay-out dispenser has anti-skid pads, handle and built-in cutter

SPECIFICATIONS

Size	3000' (914 m)
Capacity	170 LBS (756 kN) average breaking strength
Weight	435: 4.4 LBS (2.0 kg), 434: 3.5 LBS (1.6 kg)

CAT. NO.	UPC NO.	DESCRIPTION
435	21562	Conduit Measuring Tape 3/16" x 3000' (4.8 mm x 914 m)
A 434	21875	Pay-Out Dispenser for 435 Conduit Measuring Tape