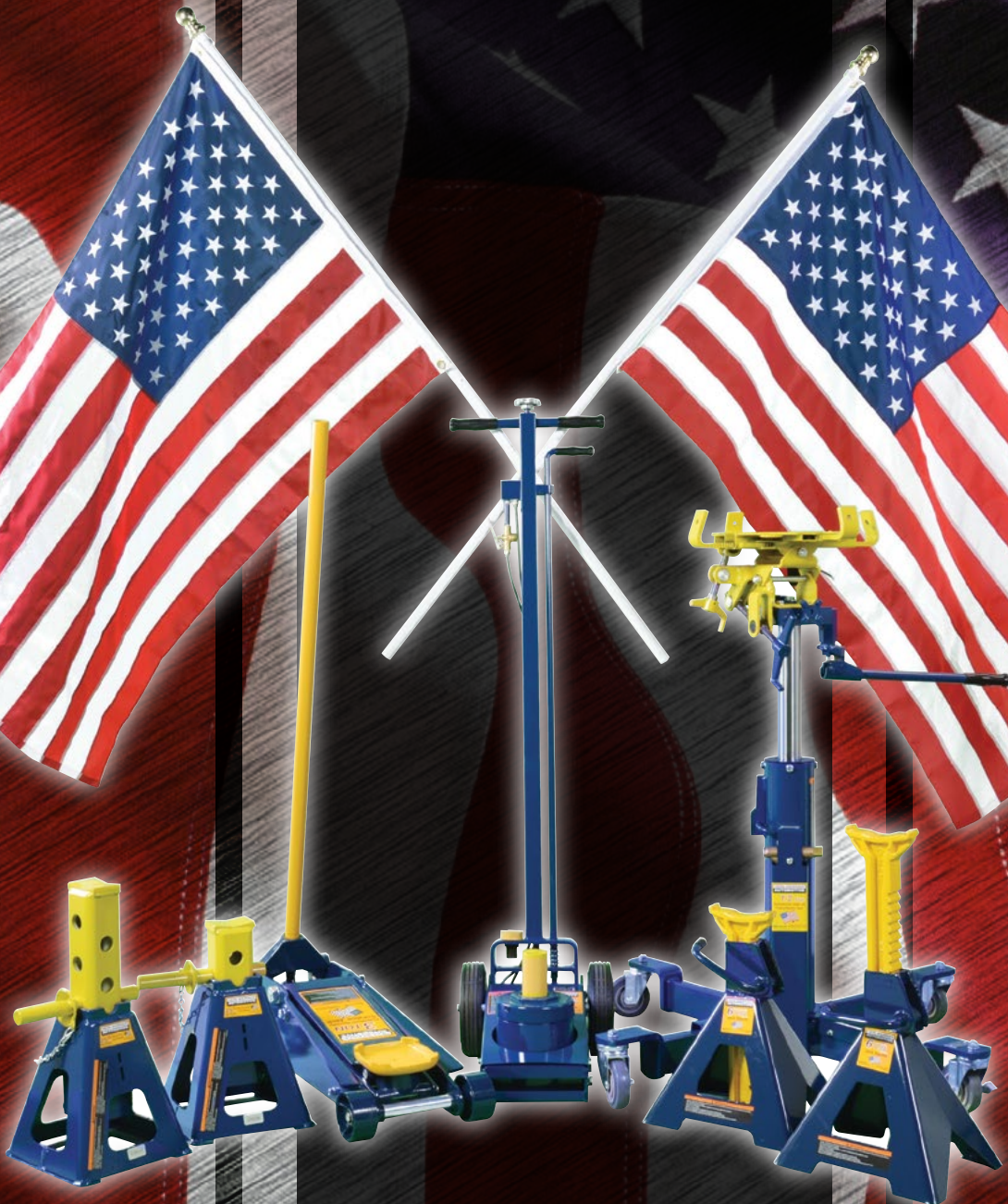


HEIN-WERNER
AUTOMOTIVE®



**Professional
Lift Equipment
Catalog**

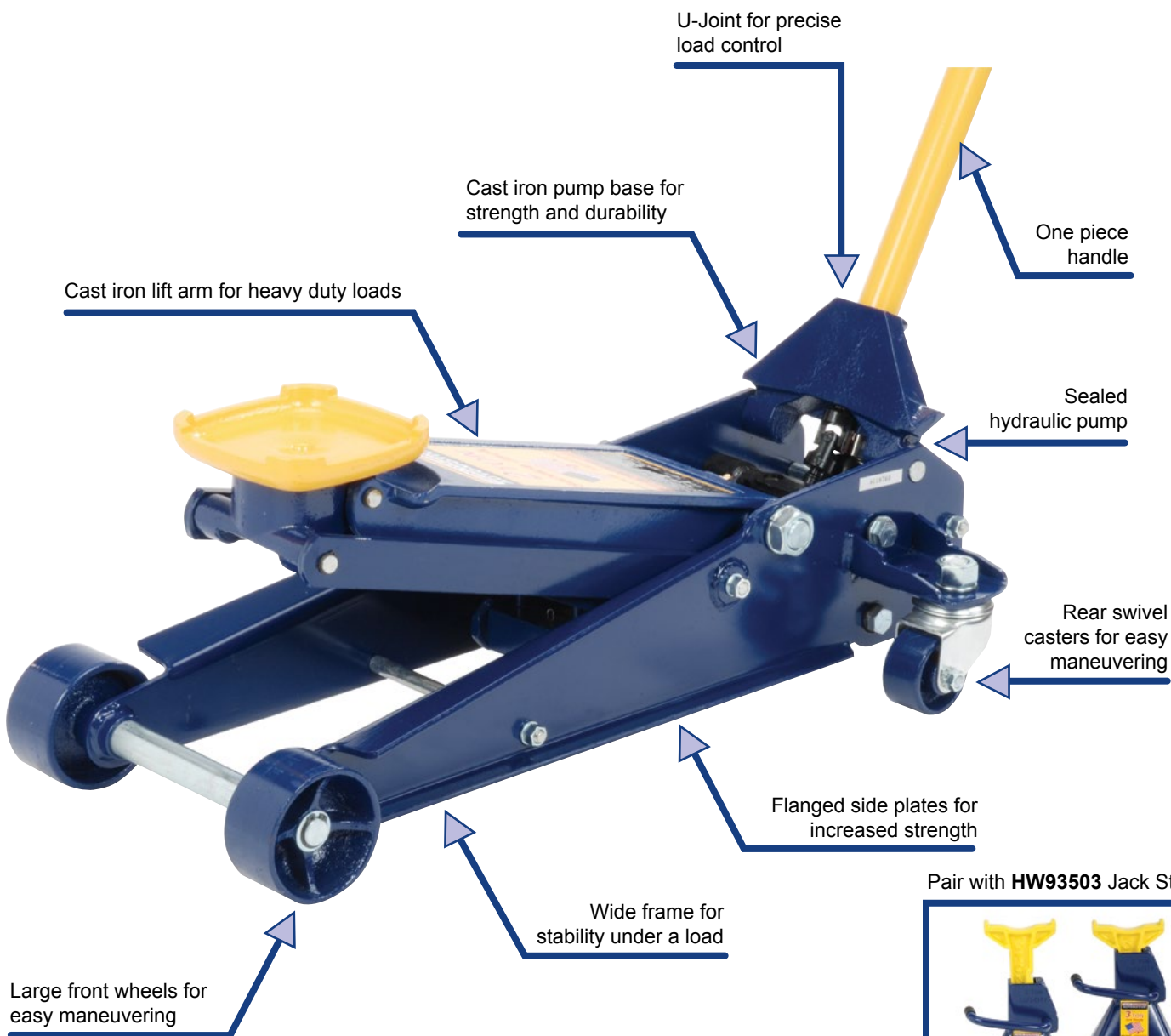


Hein-Werner Lifting equipment is manufactured or assembled in the USA
All products come with a 2 year warranty.

| | |
|---|-----------|
| 3 Ton Service Jack | 3 |
| 2 Ton Service Jack | 3 |
| 4 Ton Service Jack | 4 |
| 4 Ton Air/Manual Service Jack | 4 |
| 10 Ton Manual Service Jack | 5 |
| 10 Ton Air/Manual Service Jack | 5 |
| 10 Ton High Reach Jack Stands | 6 |
| 10 Ton Jack Stands | 6 |
| 3 Ton Jack Stands | 7 |
| 6 Ton Jack Stands | 7 |
| 7 Ton Forklift Stands | 7 |
| 25 Ton Forklift Stands | 7 |
| Bone Creepers | 8 |
| Saddle Extension Kit | 9 |
| 20 Ton Truck Jack | 9 |
| 20 Ton Truck Jack with Air | 10 |
| 25 Ton Truck Jack | 11 |
| 1 Ton Floor Style Transmission Jack | 12 |
| Transmission Jack Adaptor Kit | 12 |
| 1/2 Ton Air/Hydraulic Telescopic Transmission Jack | 13 |
| 10 Ton Air Jack | 14 |
| 4 Ton Forklift Jack | 15 |
| 3/4 Ton Wheel Dolly | 16 |
| 1,250 Lbs. Engine Stand | 17 |
| 3 Ton Engine Stand | 18 |
| 3 Ton Engine Crane | 19 |
| 2 Ton Foldable Engine Crane | 20 |
| Rotor Slings | 21 |
| Adjustable Slings | 21 |
| Load Leveler | 21 |
| 2-1/2 Ton Air Operated End Lifts | 22 |
| 10 Ton Air Operated End Lift | 22 |
| 10 Ton Wheel Lift System | 23 |
| 25 Ton Shop Presses | 24 |
| 55 Ton Shop Presses | 25 |
| 55 Ton Rolling Head Shop Presses | 26 |
| 55 Ton Double Acting Shop Press | 27 |
| 100 Ton Shop Presses | 28 |
| 25 Ton Shop Press Kit | 29 |
| 55 Ton Shop Press Kit | 29 |
| Jack Oil | 29 |
| Racing Chair | 30 |
| Warranty | 31 |

HW93652 3 Ton Service Jack

HW93642 2 Ton Service Jack



Pair with **HW93503** Jack Stands



*Assembled in the US with US and Global components

| Model | Capacity | Minimum Height | Maximum Height | Power Raise | Saddle Diameter | Handle Length | Chassis Length | Chassis Height | Wheel to Wheel Width | G.W. |
|---------|----------|----------------|----------------|-------------|-----------------|---------------|----------------|----------------|----------------------|----------|
| HW93642 | 2 Ton | 4-1/2" | 20-1/4" | 15-3/4" | 6-3/4" | 50" | 28-1/2" | 6-3/4" | 11-3/4" | 90 Lbs. |
| HW93652 | 3 Ton | 5" | 23-1/2" | 18-1/2" | | | 31-1/2" | 7-1/4" | | 107 Lbs. |

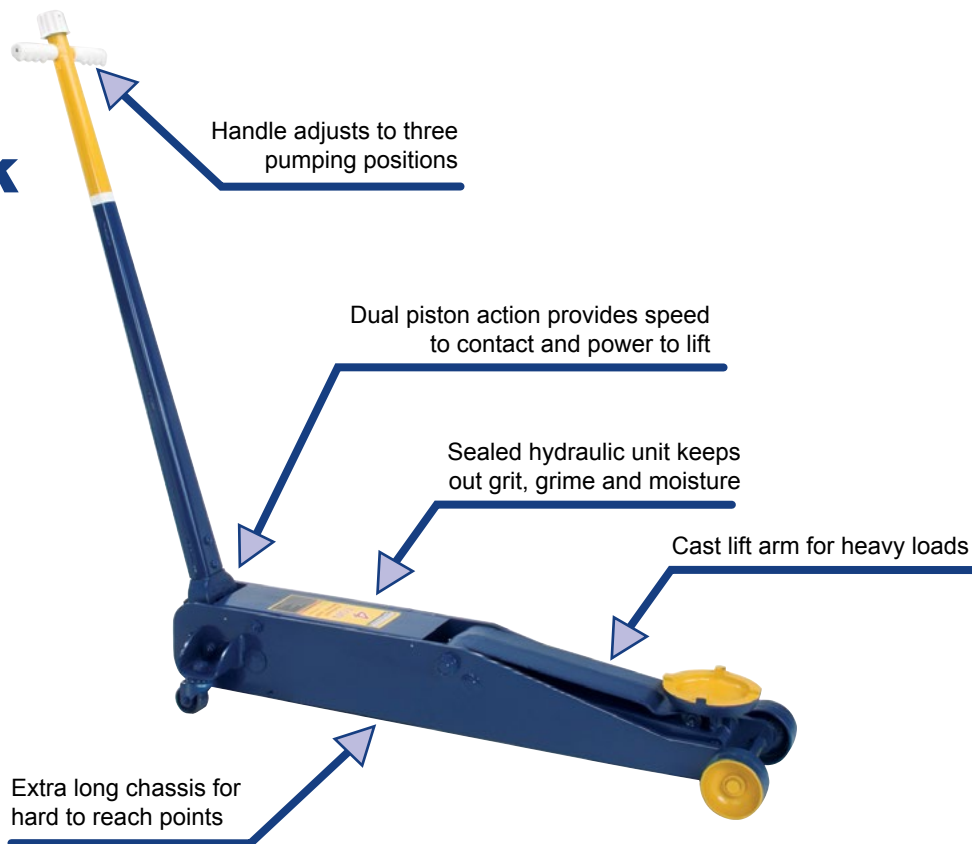
HW93657 4 Ton Service Jack

Made in USA



T Handle

T handle with release knob for ease of positioning and load control



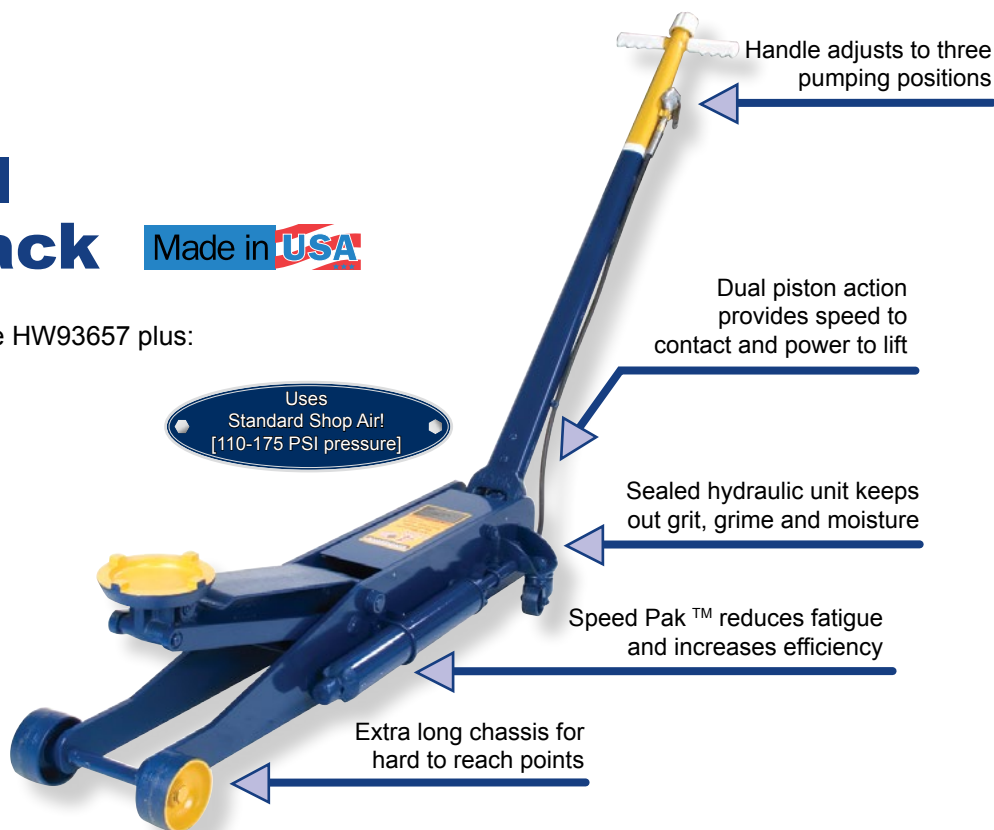
HW93667 4 Ton Air/Manual Service Jack

Made in USA

Includes all the features of the HW93657 plus:

- Operates manually or with air

Pair with **HW93506** Jack Stands



| Model | Capacity | Minimum Height | Maximum Height | Power Raise | Saddle Diameter | Handle Length | Chassis Length | Chassis Height | Wheel to Wheel Width | Min. PSI For Rated Load | G.W. |
|---------|----------|----------------|----------------|-------------|-----------------|---------------|----------------|----------------|----------------------|-------------------------|----------|
| HW93657 | 4 Ton | 5" | 25-3/4" | 20-3/4" | 7" | 51" | 49" | 8" | 15" | N/A | 219 Lbs. |
| HW93667 | | | | | | | | | | 140 | 233 Lbs. |

HW93660 10 Ton Manual Service Jack

Made in USA

Pair with HW93512 Jack Stands

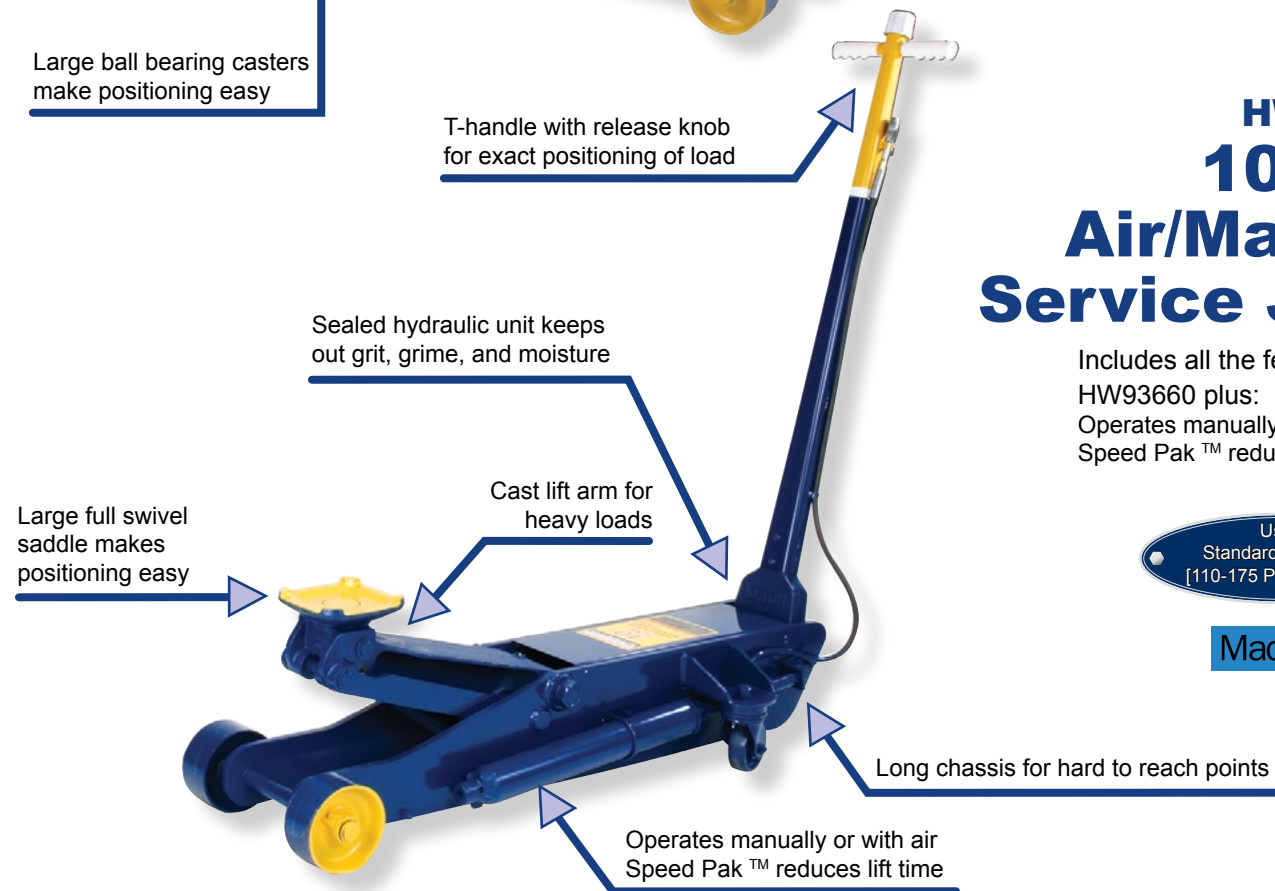
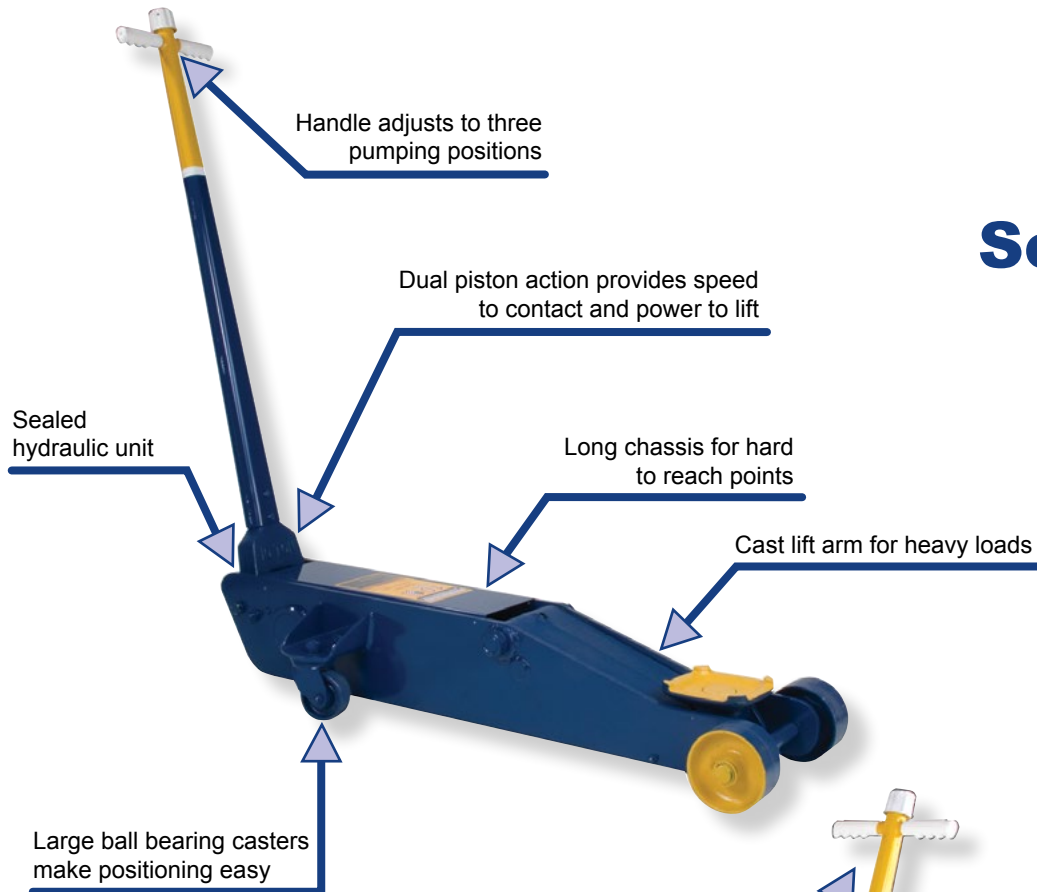


HW93662 10 Ton Air/Manual Service Jack

Includes all the features of the HW93660 plus:
Operates manually or with air
Speed Pak™ reduces lift time

Uses
Standard Shop Air!
[110-175 PSI pressure]

Made in USA

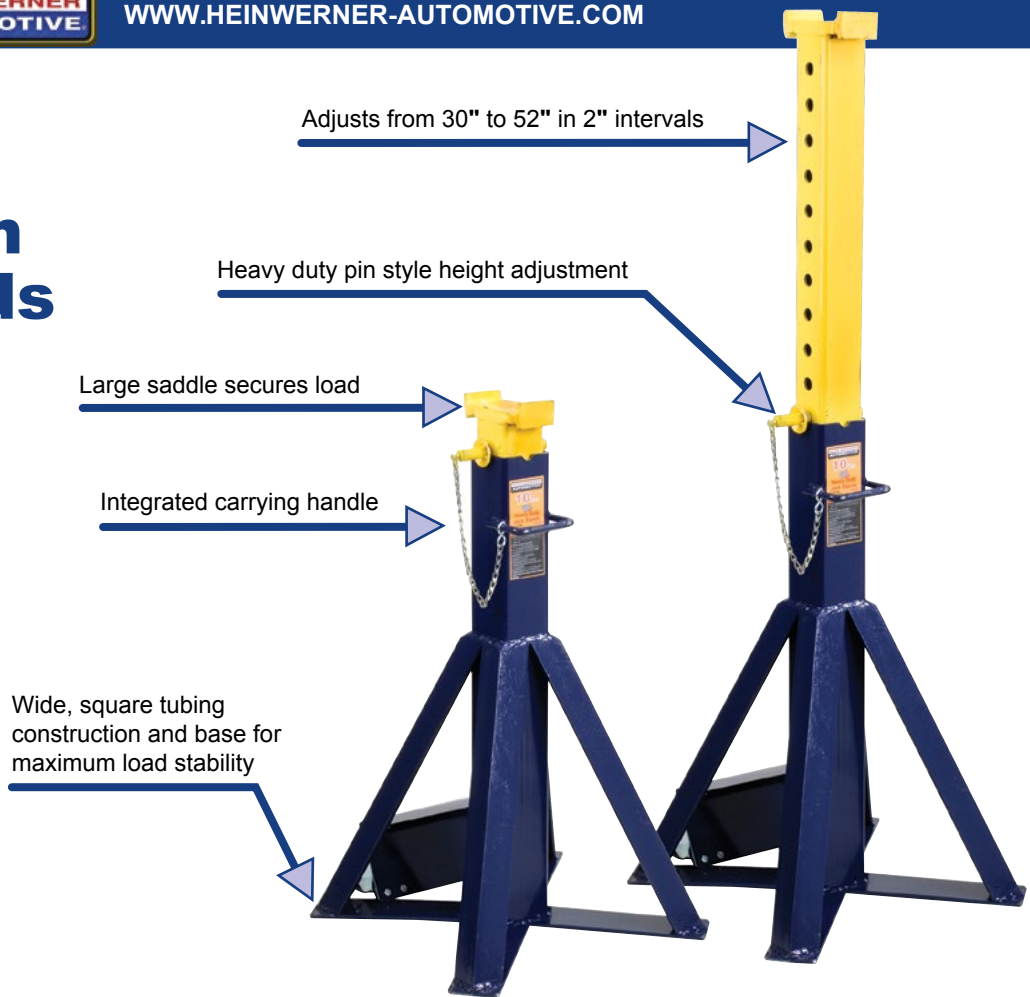


| Model | Capacity | Minimum Height | Maximum Height | Power Raise | Saddle Diameter | Handle Length | Chassis Length | Chassis Height | Wheel to Wheel Width | Min. PSI For Rated Load | G.W. |
|---------|----------|----------------|----------------|-------------|-----------------|---------------|----------------|----------------|----------------------|-------------------------|----------|
| HW93660 | 10 Ton | 6-3/4" | 25-1/2" | 18-3/4" | 8-1/2" | 56" | 53-1/2" | 9-1/2" | 20-1/2" | N/A | 420 Lbs. |
| HW93662 | | | | | | | | | | 140 | 435 Lbs. |

HW93511 10 Ton High Reach Jack Stands

Made in  USA

Integrated wheels
for easy positioning



HW93512 10 Ton Jack Stands

Made in  USA

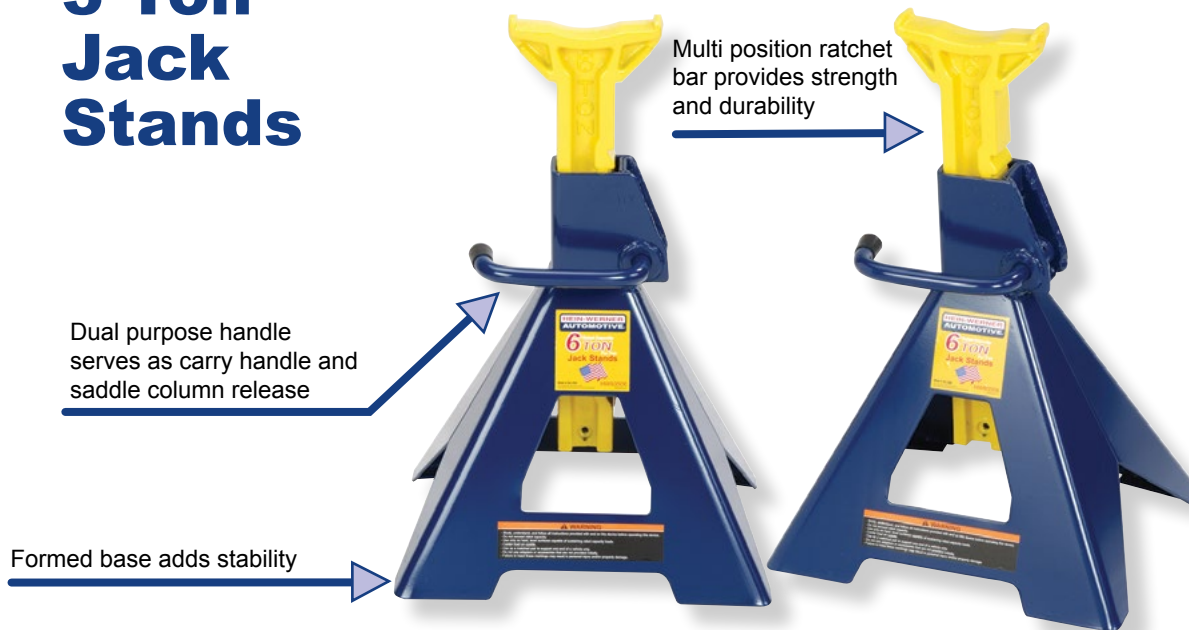
Wide, square tubing construction and
base for maximum load stability



| Model | Capacity (per pair) | Minimum Height | Maximum Height | Height Intervals | Base Size | Saddle Size | G.W. (pair) |
|---------|------------------------|-------------------|-------------------|---------------------|-----------|-------------|----------------|
| HW93511 | 10 Ton | 30" | 52" | 2" | 19"x19" | 3"x 5-3/4" | 144 Lbs. |
| HW93512 | | 19-1/2" | 31-1/2" | | 16"x16" | | 88 Lbs. |

HW93503 3 Ton Jack Stands

HW93506 6 Ton Jack Stands



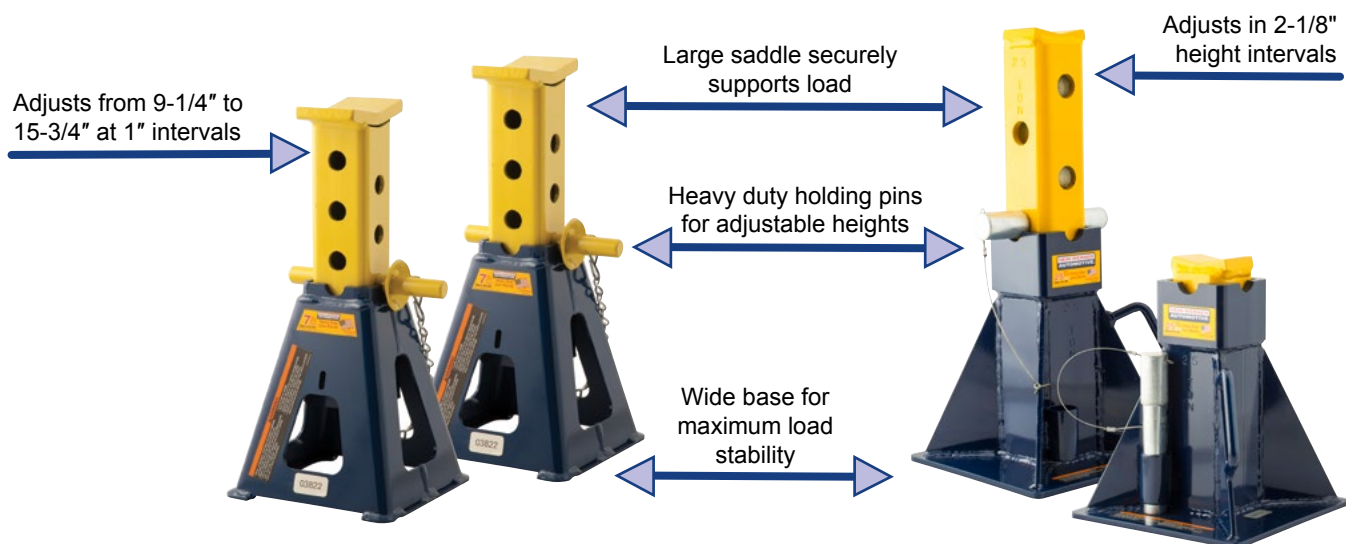
*Assembled in the US with US and Global components

| Model | Capacity (per pair) | Minimum Height | Maximum Height | Height Intervals | Base Size | Saddle Size | G.W. (pair) |
|---------|---------------------|----------------|----------------|------------------|---------------|-------------|-------------|
| HW93503 | 3 Ton | 12-1/8" | 19" | 5/8" | 7-1/2" x 9" | 1" x 4-1/2" | 26 Lbs. |
| HW93506 | 6 Ton | 16-1/4" | 25-3/4" | | 10-1/2" x 13" | 1" x 5" | 45 Lbs. |

HW93524A 7 Ton Forklift Stands

Made in USA

HW93526F 25 Ton Forklift Stands



| Model | Capacity (per pair) | Minimum Height | Maximum Height | Height Intervals | Base Size | Saddle Size | G.W. (pair) |
|----------|---------------------|----------------|----------------|------------------|-----------------|-----------------|-------------|
| HW93524A | 7 Ton | 9-1/2" | 15-3/4" | 1" | 9-1/4" x 9-1/4" | 2-1/2" x 4-1/2" | 36 Lbs. |
| HW93526F | 25 Ton | 12-3/8" | 20-3/8" | 2-1/8" | 9-7/8" x 9-7/8" | 3" x 2-1/4" | 89 Lbs. |

Hein-Werner Bone Creepers

Made in **USA**

The Tailbone™ HW5031

The Tailbone Rough Rider™

- 350 Lbs. Capacity Creeper Seat
- 5" tread wheels
- 1 Year Warranty on Body
- Lifetime Warranty on Wheels

The Bone™ HW6031

- 300 Lbs. Capacity Creeper
- 5" tread wheels
- 1.25" Clearance
- 1 Year Warranty on Body
- Lifetime Warranty on Wheels



The Rough Rider™ HW7031

- 400 Lbs. Capacity Creeper
- 5.28" multi-terrain tread wheels
- 3" Clearance
- 1 Year Warranty on Body
- Lifetime Warranty on Wheels

The Bone-ster™ HW4031

- 400 Lbs. Capacity Creeper
- 3" tread wheels
- 1 Year Warranty on Body
- Lifetime Warranty on Wheels

| Model | Description | Capacity | Dimensions (L x H x W) | Color | Item Weight |
|--------|---|----------|---------------------------|-------|----------------|
| HW4031 | Hein-Werner - The Bone-ster™ Mechanics Seat | 400 Lbs. | 43" x 5.25" x 24" | Blue | 13 Lbs. |
| HW5031 | Hein-Werner The Tail Bone™ Mechanics Seat | 350 Lbs. | 28" x 24" x 32" | Blue | 15.5 Lbs. |
| HW5131 | Hein-Werner The Tail Bone™ Rough Rider Mechanics Seat | 350 Lbs. | 28" x 24" x 32" | Blue | 16.5 Lbs. |
| HW6031 | Hein-Werner The Bone™ Mechanics Creeper | 300 Lbs. | 45.5" x 7.875" x 25.5 | Blue | 18 Lbs. |
| HW7031 | Hein-Werner - The Rough Rider™ Mechanics Creeper | 400 Lbs. | 45.5" x 7.875" x 25.5 | Blue | 20 Lbs. |

HW93733 20 Ton Truck Jack

Made in **USA**



Uses
Standard Shop Air!
[110-175 PSI pressure]

HW93265 Saddle Extension Kit

(Optional, for use only on HW93733)

Adds 1/2", 2-3/8", or 4"
to low pick-up heights

Optional adaptors provide
added height



Pressure relief valve
prevents overloading

Rapid two-speed air hydraulic
action quickly advances ram to load

Specially coated ram prevents
rust and extends jack life

Low height allows lifting
from axle or suspension

Large 8"
rubber wheels

| Model | Capacity | Minimum Height | Maximum Height | Power Raise | Handle Length | Base Size | Extension Screw | Operating Pressure | G.W. |
|---------|----------|----------------|----------------|-------------|---------------|---------------|-----------------|--------------------|---------|
| HW93733 | 20 Ton | 9-1/2" | 20" | 5" | 52-1/2" | 20-1/2" x 13" | 5-1/2" | 110-140 PSI | 97 Lbs. |

HW93731 20 Ton Truck Jack

Made in  USA



Large rubber wheels
enhance mobility

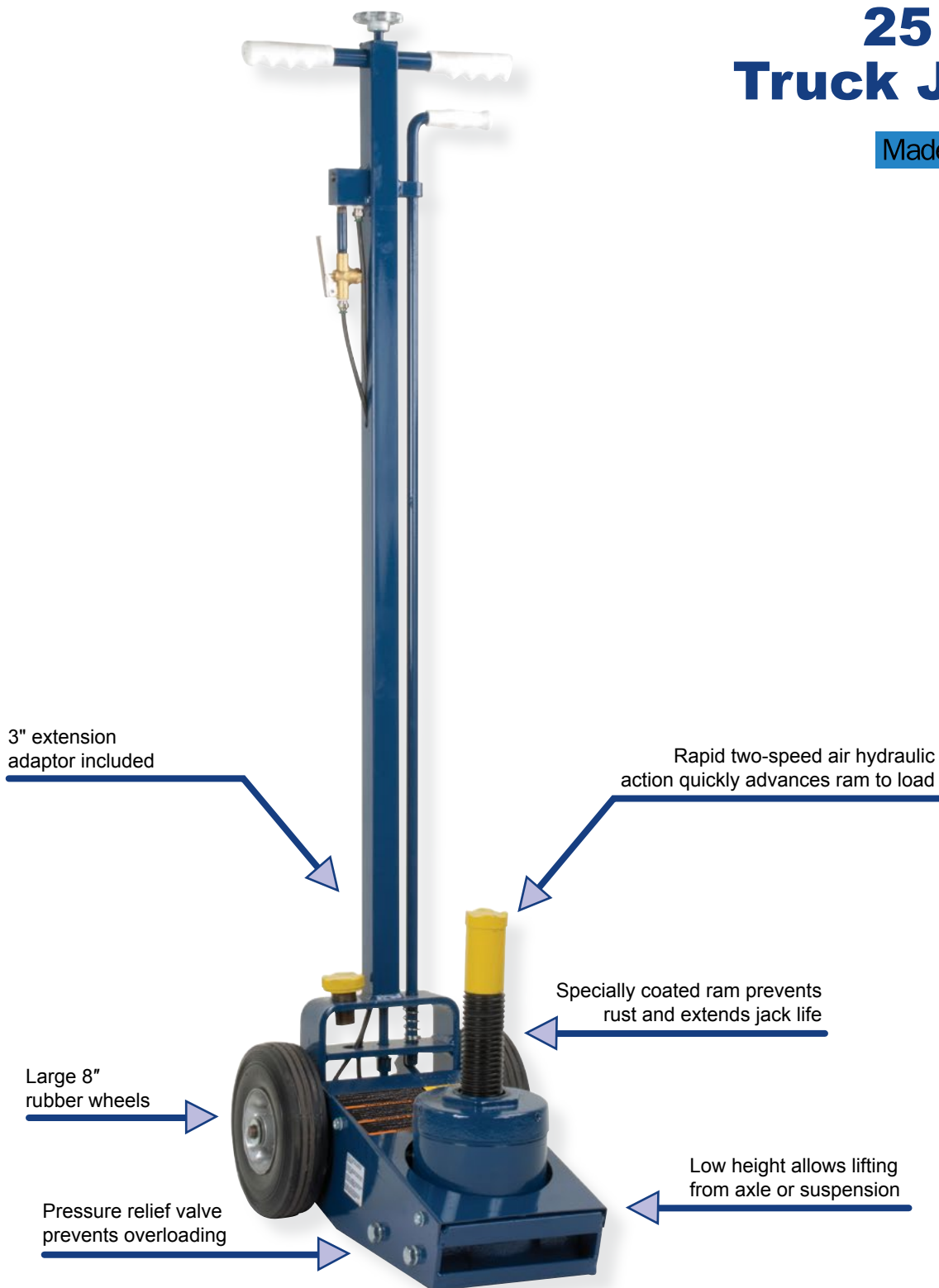
Extension screw permits
pickup height adjustment

Speed Pak™
provides quick,
effortless lift

| Model | Capacity | Minimum Height | Maximum Height | Power Raise | Handle Length | Base Size | Extension Screw | Operating Pressure | G.W. |
|---------|----------|----------------|----------------|-------------|---------------|-----------------|-----------------|--------------------|---------|
| HW93731 | 20 Ton | 9-3/8" | 17-5/8" | 5-1/2" | 39-1/2" | 8-3/4" x 5-1/2" | 2-3/4" | 110-150 PSI | 69 Lbs. |

HW93735A 25 Ton Truck Jack

Made in USA



| Model | Capacity | Minimum Height | Maximum Height w/adaptor | Power Raise | Handle Length | Base Size | Extension Screw | Operating Pressure | G.W. |
|----------|----------|----------------|--------------------------|-------------|---------------|-----------|-----------------|--------------------|----------|
| HW93735A | 25 Ton | 8-1/4" | 21-1/2" | 5-1/8" | 53" | 20" x 14" | 5-1/8" | 110-200 PSI | 118 Lbs. |

HW93718 1 Ton Floor Style Transmission Jack

Made in **USA**

Designed for heavy duty transmissions, including:

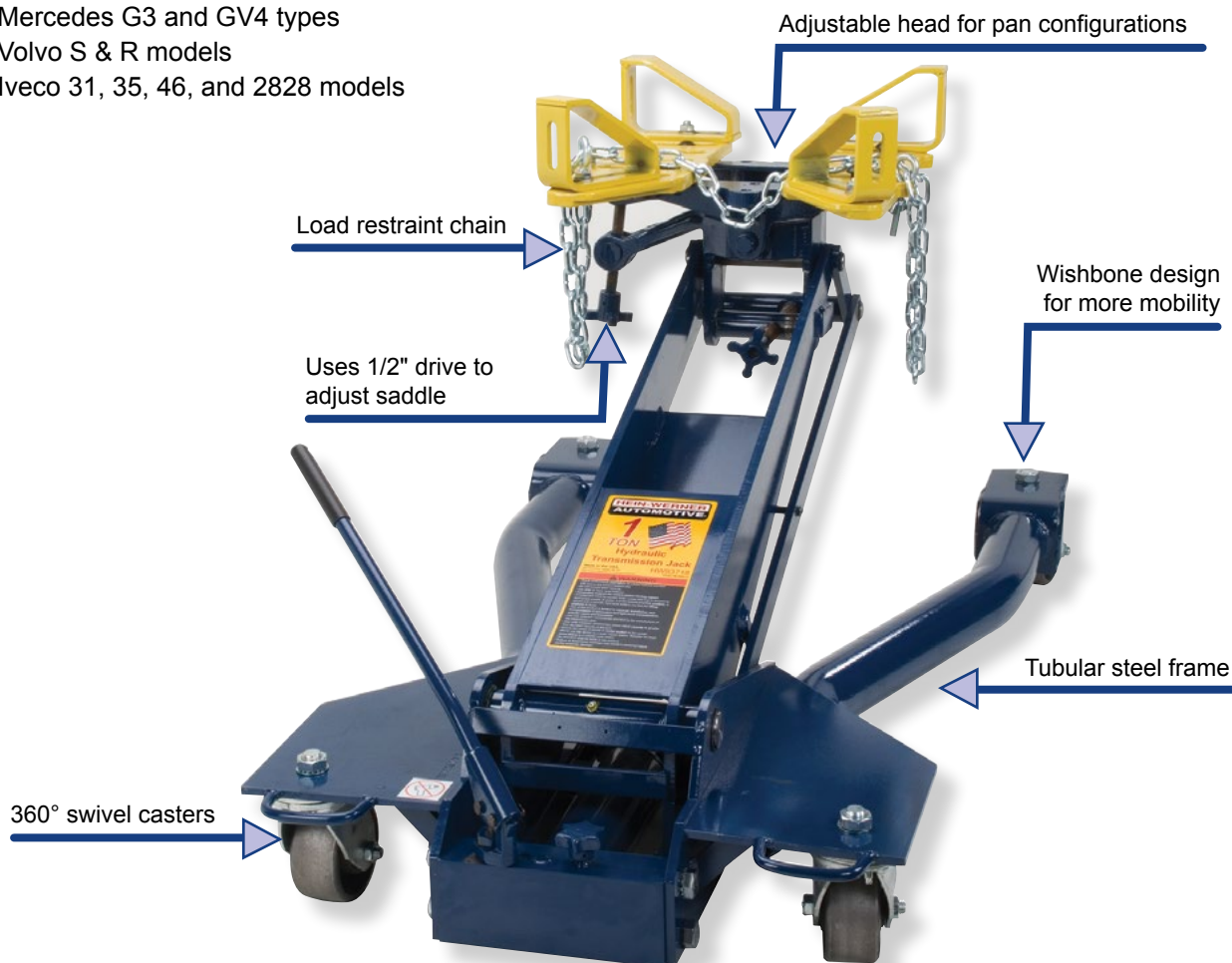
- Fuller Roadrangers
- Spicer 50,60,5000,6000 and split torque (SST) series
- Mack T-2000 and Maxitorque series
- Allison AT, MT, and HT series
- Clark 280, 282, 285, CL455, and CL550
- Mercedes G3 and GV4 types
- Volvo S & R models
- Iveco 31, 35, 46, and 2828 models



HW93248 Adaptor Kit



- Allows user to remove and stabilize a Fuller Road Ranger truck transmission without first removing the PTO module, thus saving considerable labor time
- Heavy-duty steel construction
- For use with the HW93718 Hein-Werner Transmission Jack only



| Model | Capacity | Minimum Height | Maximum Height | Chassis Length | Chassis Width | Forward Tilt | Rear Tilt | Sideways Tilt | G.W. |
|---------|----------|----------------|----------------|----------------|---------------|--------------|-----------|---------------|----------|
| HW93718 | 1 Ton | 10-1/4" | 44-3/4" | 47-1/2" | 28-1/4" | 44° | 39° | 13° L & R | 310 Lbs. |

HW93720 1/2 Ton Air/Hydraulic Telescopic Transmission Jack

Made in USA

Four ratchet brackets fit transmission pan flanges

Hefty nylon safety strap helps anchor transmission

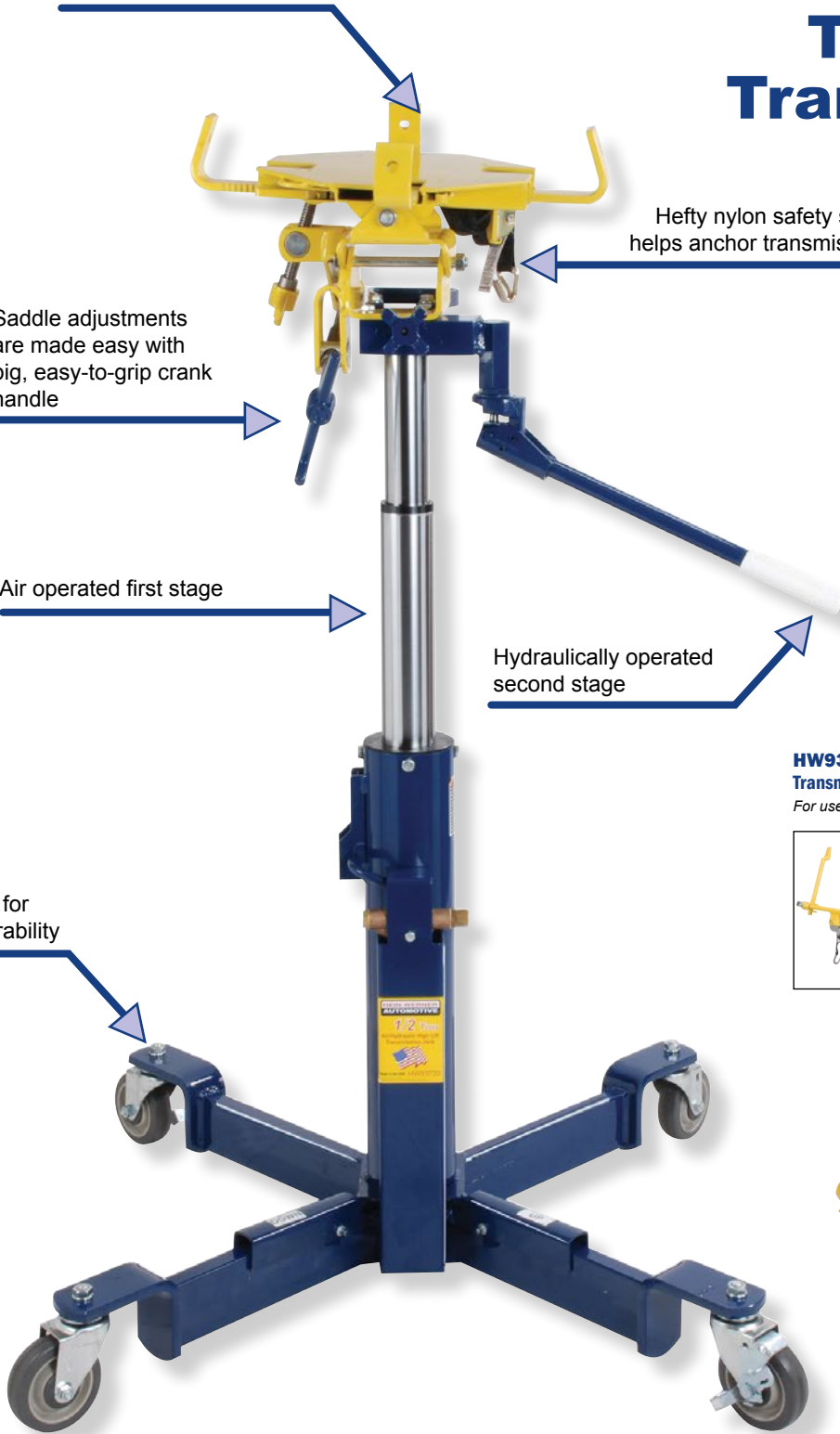
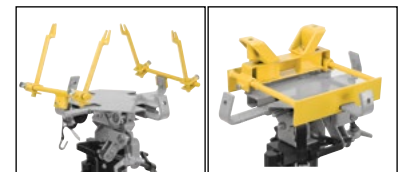
Saddle adjustments are made easy with big, easy-to-grip crank handle

Air operated first stage

Hydraulically operated second stage

Wide caster base for smooth maneuverability

HW93721
Transmission Jack Multi Adaptor
For use on the HW93721



| Model | Capacity | Minimum Height | Maximum Height | Lifting Head Height | Base Size | Forward Tilt | Rear Tilt | Sideways Tilt | G.W. |
|---------|----------|----------------|----------------|---------------------|-------------------|--------------|-----------|---------------|----------|
| HW93720 | 1/2 Ton | 34" | 72" | 11-3/8" x 11-3/8" | 41-1/4" x 41-1/4" | 35° | 18° | 11° L & R | 117 Lbs. |

HW93737A 10 Ton Air Jack

Made in 



Doubles as a support stand

Completely air-operated

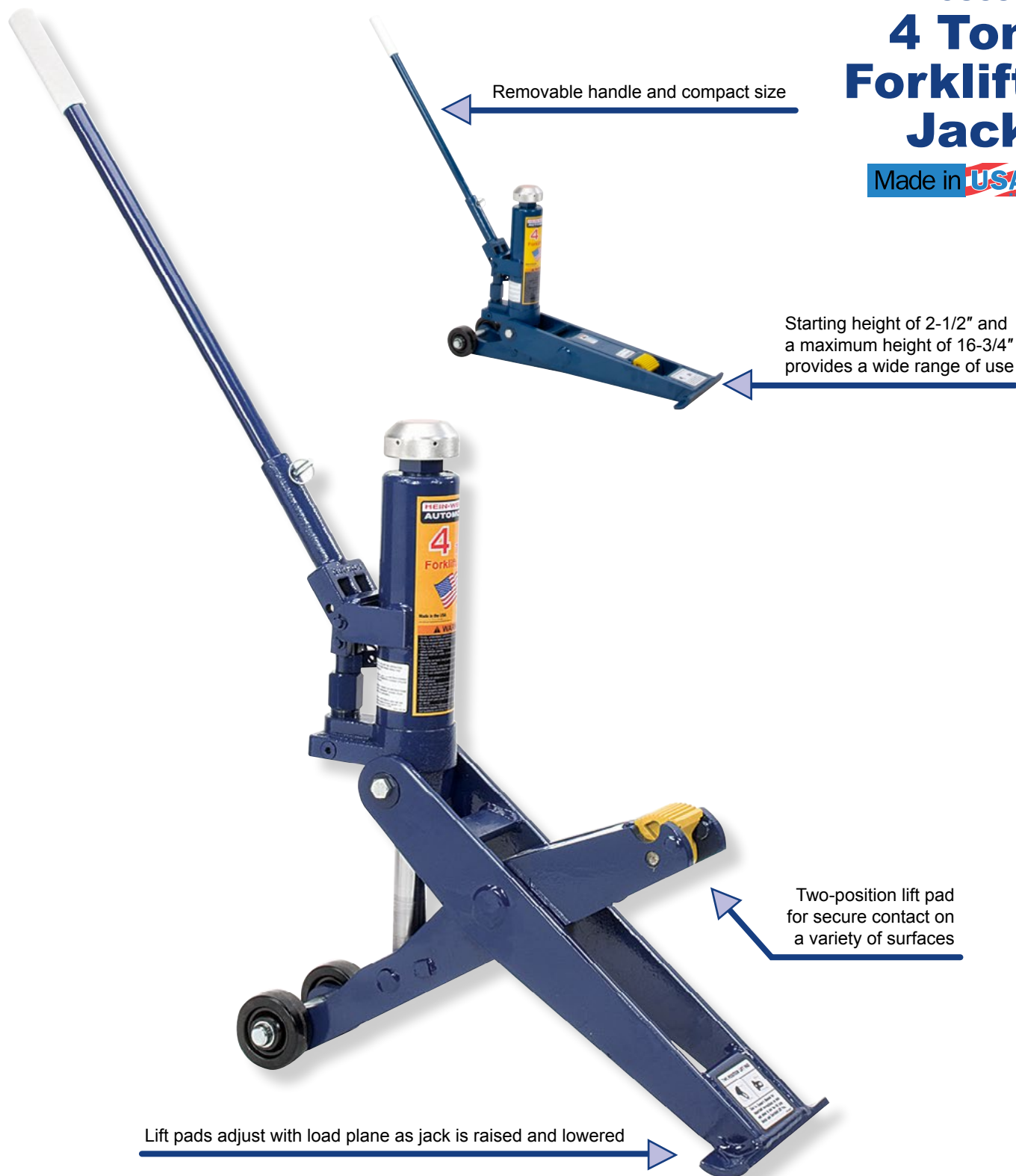
Removable handle and
10 foot air hose for safe
position and operation

Lifting Range 17-3/4" to 44"

| Model | Capacity | Power Raise | Starting Height | Maximum Height | Base Diameter | Air Pressure for Rated Capacity | G.W. |
|----------|----------|-------------|-----------------|----------------|---------------|---------------------------------|----------|
| HW93737A | 10 Ton | 11-1/2" | 17-3/4" - 40" | 51-1/2" | 12" | 200 PSI | 165 Lbs. |

HW93659 4 Ton Forklift Jack

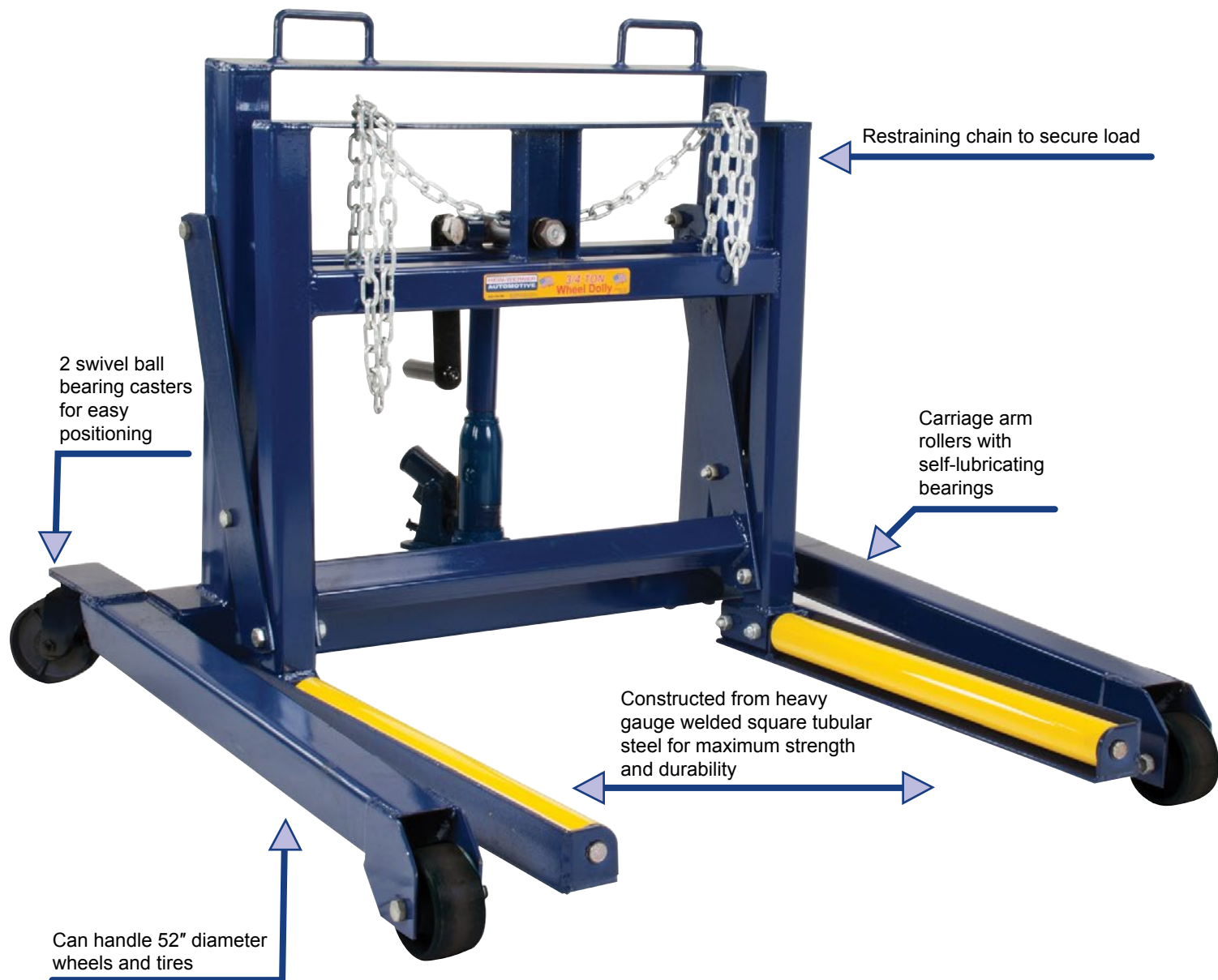
Made in USA



| Model | Capacity | Minimum Height | Maximum Height | Power Raise | Handle Length | Base Size | G. W. |
|---------|----------|----------------|----------------|-------------|---------------|--------------|---------|
| HW93659 | 4 Ton | 2-1/2" | 16-3/4" | 14-1/4" | 29" | 8" x 26-1/2" | 73 Lbs. |

HW93766 3/4 Ton Wheel Dolly

Made in 



| Model | Capacity | Lift Range | Lifting Arm Length | Lifting Arm Spread | Overall Length | Overall Width | Overall Height | G.W. |
|---------|----------|------------|--------------------|--------------------|----------------|---------------|----------------|----------|
| HW93766 | 3/4 Ton | 4" - 9" | 23" | 26-1/2" | 38-3/4" | 39-1/2" | 32" | 118 Lbs. |

HW93778
1,250 Lbs.
Engine
Stand

Made in **USA**



| Model | Capacity | Base Size | Overall Height | Head Plate | Head Plate Thickness | Wheel Diameter | Caster Diameter | Handle Length | G.W. |
|---------|------------|-----------|----------------|-------------|----------------------|----------------|-----------------|---------------|---------|
| HW93778 | 1,250 Lbs. | 36" X 35" | 34" | 9-1/2" X 6" | 3/4" | 3" | 3" | 22-1/2" | 79 Lbs. |

HW93776 3 Ton Engine Stand

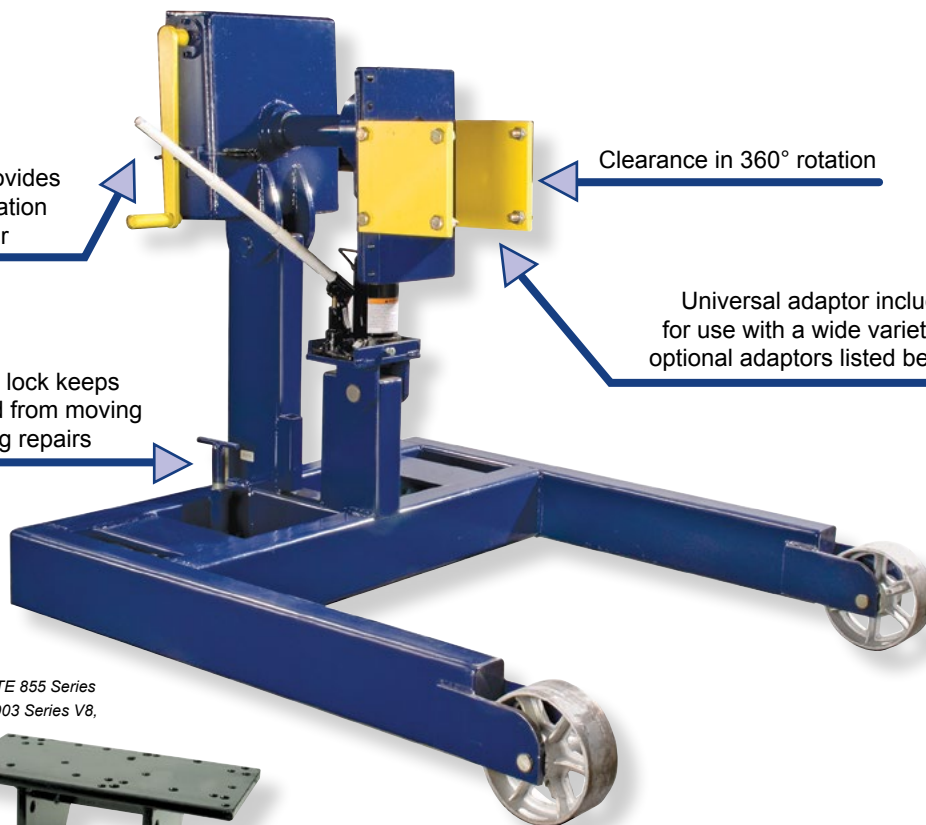
Made in 

Long handle provides easy engine rotation with 95 to 1 gear

Clearance in 360° rotation

Universal adaptor included for use with a wide variety of optional adaptors listed below

Floor lock keeps stand from moving during repairs



HW93776-1

Cummins Engine Stand Adaptor

For Cummins engines: all NH, NTC, & NTE 855 Series in-line 6 cyl., 378 Series V6, 504, 555 & 903 Series V8, KT 1150 Series in-line 6 Cyl. L10



HW93776-2

Detroit Engine Stand Adaptor

For Detroit engines: 53 Series in-line 6 Cyl., 6V & 8V also 71 series in-line 6 cyl., 6V, 8V & 12V also 92 series 6V & 8V also 8.2 liter V8.



HW93776-3

Mack Diesel Engine Stand Adaptor

For Mack engines: 672, 673, 675 & 711. Series in-line 6 cyl.



HW93776-4

International Diesel Engine Stand Adaptor

For International Harvester engines: DT-466 in-line 6 cyl. DV-550, MV-404, MV-446, V304, V435, V392, 4-152, 4-194, 4-196, 9.0 liter V8, 6.9L (Ford).



HW93776-5

Caterpillar Engine Stand Adaptor

For Caterpillar engines: 1673, 1674, 1693, 3306 & 3406 in-line 6 cyl. also 1100 & 3208 V8 and 3408 V8.



HW93776-6

Allison Transmission Adaptor

All Allison transmissions: AT 500, MT 600, MT 6 speed, VH, VS and V730



HW93776-7

Small Vehicle Adaptor

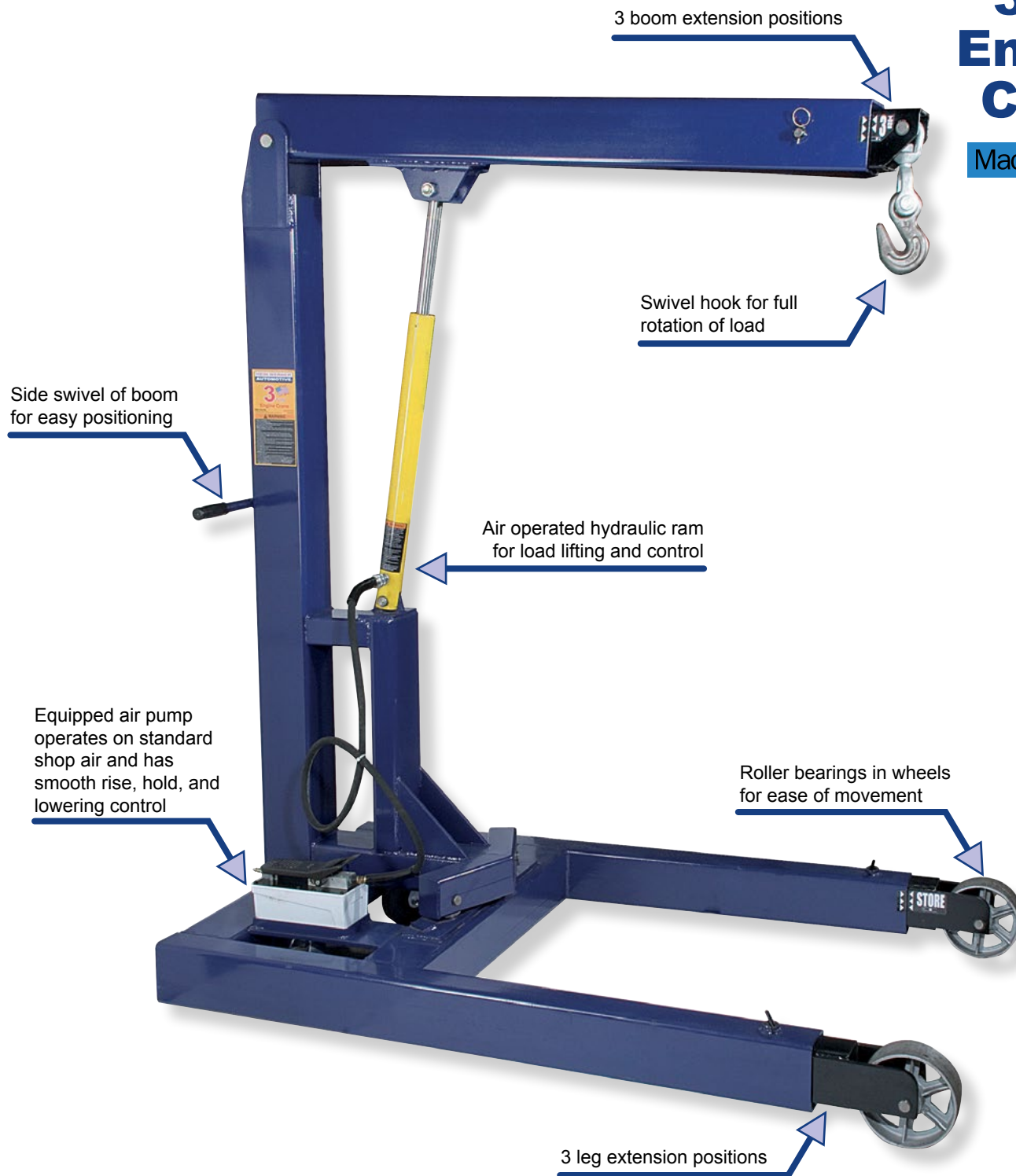
Small size vehicle and light truck engine 2,000 Lbs.. capacity.



| Model | Capacity | Overall Dimensions | | | Wheel Diameters | | Rotational clearance from MTG. Head to Ground | G.W. |
|---------|----------|--------------------|-------|--------|-----------------|--------|---|----------|
| | | Height | Width | Length | Front | Rear | | |
| HW93776 | 3 Ton | 45-3/4" | 46" | 52" | 8" | 5-3/4" | 37-1/2" to 43-1/4" | 602 Lbs. |

HW93806 3 Ton Engine Crane

Made in 



| Model | Boom Capacity @ Length | Hook Height | | Leg Extension | Overall Dimensions | | | Wheel Diameter | | G.W. |
|---------|------------------------|-------------|----------|---------------|--------------------|-------|--------|----------------|------|------------|
| | | Min. | Max. | | Height | Width | Length | Front | Rear | |
| HW93806 | 3 Ton | 30-1/2" | 120-1/2" | 91-1/4" | 87" | 51" | 75" | 8" | 6" | 1,044 Lbs. |
| | 2-1/2 Ton | 18-1/2" | 132-1/2" | 106-3/4" | | | | | | |
| | 2 Ton | 6-1/2" | 144-1/2" | 123" | | | | | | |

HW93809 2 Ton Foldable Engine Crane

Made in 

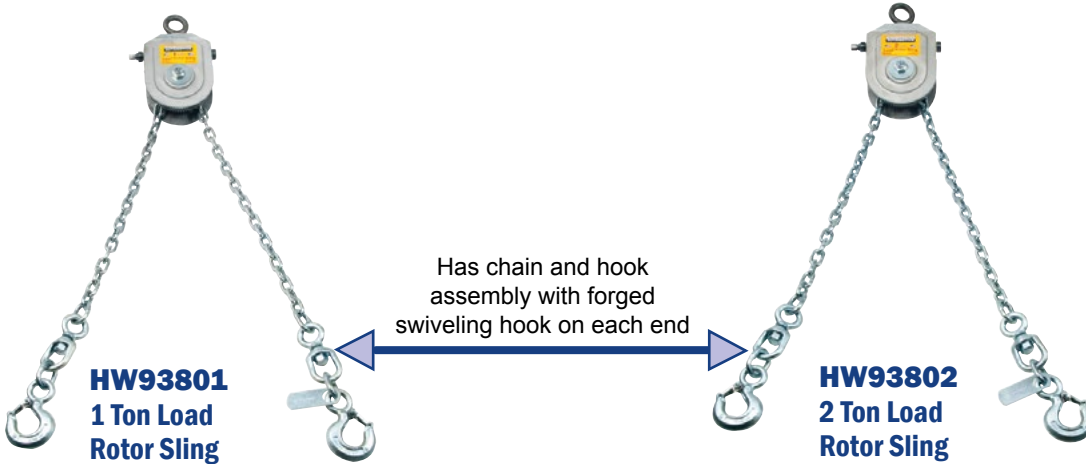


| Model | Capacity (retracted) | Capacity (center) | Capacity (extended) | Max. Boom Height (retracted) | Max. Boom Height (extended) | Overall Boom Height (horizontal) | Boom Reach (retracted) | Boom Reach (extended) | Overall Length | Min. Throat Width |
|---------|----------------------|-------------------|---------------------|------------------------------|-----------------------------|----------------------------------|------------------------|-----------------------|----------------|-------------------|
| HW93809 | 4,400 Lbs. | 3,800 Lbs. | 3,300 Lbs. | 119" | 130" | 84" | 35-3/4" | 50-3/4" | 82" | 22" |

| Model | Leg Length (inside) | Inside Leg Width (3 Positions) | | | Leg Height | Wheel Diameter | G.W. |
|---------|---------------------|--------------------------------|-----|-----|------------|----------------|----------|
| | | 1 | 2 | 3 | | | |
| HW93809 | 55" | 22" | 36" | 50" | 8-1/8" | 6" | 640 Lbs. |

Rotor Slings

Made in USA



HW93801
1 Ton Load Rotor Sling

HW93802
2 Ton Load Rotor Sling

- Load Sling is intended for use with an engine crane or hoist
- Engines or other components can be tilted or leveled by turning sling's hex drive end with a common speed handle and socket

| Model | Capacity | Hex Drive | Chain Length | Link Size | Weight |
|---------|----------|-----------|--------------|-----------|---------|
| HW93801 | 1 Ton | 5/8" | 65" | 5/16" | 17 Lbs. |
| HW93802 | 2 Ton | | 100" | | 31 Lbs. |

Adjustable Slings

Made in USA



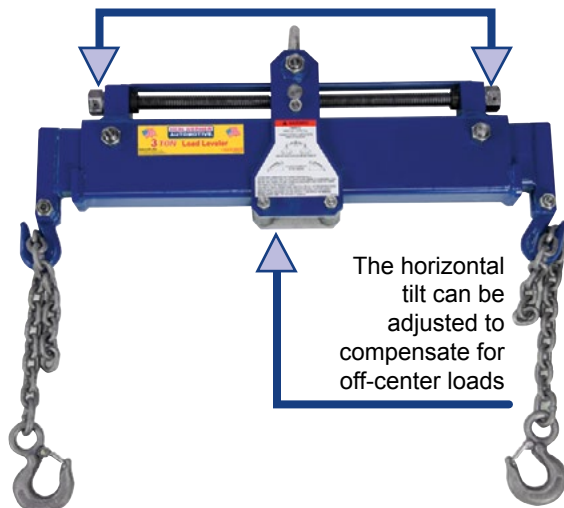
HW93803
1 Ton Adjustable Load Sling

HW93804
2 Ton Adjustable Load Sling

- Designed for use with a crane or hoist to support large, bulky loads
- Chain length may be adjusted to compensate for off-center loads or for an alignment angle during assembly or disassembly

| Model | Capacity | Chain Length | Link Size | Weight |
|---------|----------|--------------|-----------|----------|
| HW93803 | 1 Ton | 65" | 7/32" | 4.8 Lbs. |
| HW93804 | 2 Ton | | 5/16" | 9.3 Lbs. |

Adjustment nuts on both ends of the extension screw make tilting the load easy and accessible



Extendable arms make this unit adjustable for the desired length needed

The horizontal tilt can be adjusted to compensate for off-center loads

HW93805
3 Ton Load Leveler

Load Leveler

Made in USA

- Designed to handle and position heavy components with use of an engine crane or hoist
- It can also be used to angle a component when necessary to install it

HW93696A & HW93696U 2-1/2 Ton Air Operated End Lift

U-Model
with Remote
Operation

Made in **USA**



Three-way heavy duty brass air valve provides precision control when lifting or lowering a vehicle

Safety latch design (in back) provides six different automatic safety lock positions to prevent unintentional lowering of load

HW93690 10 Ton Air Operated End Lift

Made in **USA**



Adjustable lifting arm can be extended to desired position

Two front swivel caster wheels and two 12" diameter semi-pneumatic rear tires provide easy maneuvering

Heavy duty wide base for stability and strength



| Model | Capacity | Minimum Height | Maximum Height | Power Raise | Saddle Spread | Min. Air Pressure For Rated Load | Distance (Lifting to Front of Saddle) | G.W. |
|----------|-----------|----------------|----------------|-------------|-------------------|----------------------------------|---------------------------------------|----------|
| HW93690 | 10 Ton | 18-1/2" | 50-1/2" | 28" | 28" - 53" | 200 PSI | 17" | 641 Lbs. |
| HW93696A | 2-1/2 Ton | 8" | 35-3/8" | 24-3/4" | 23-1/4" - 41-1/4" | | 19" | 210 Lbs. |
| HW93696U | | | | | | | | 214 Lbs. |

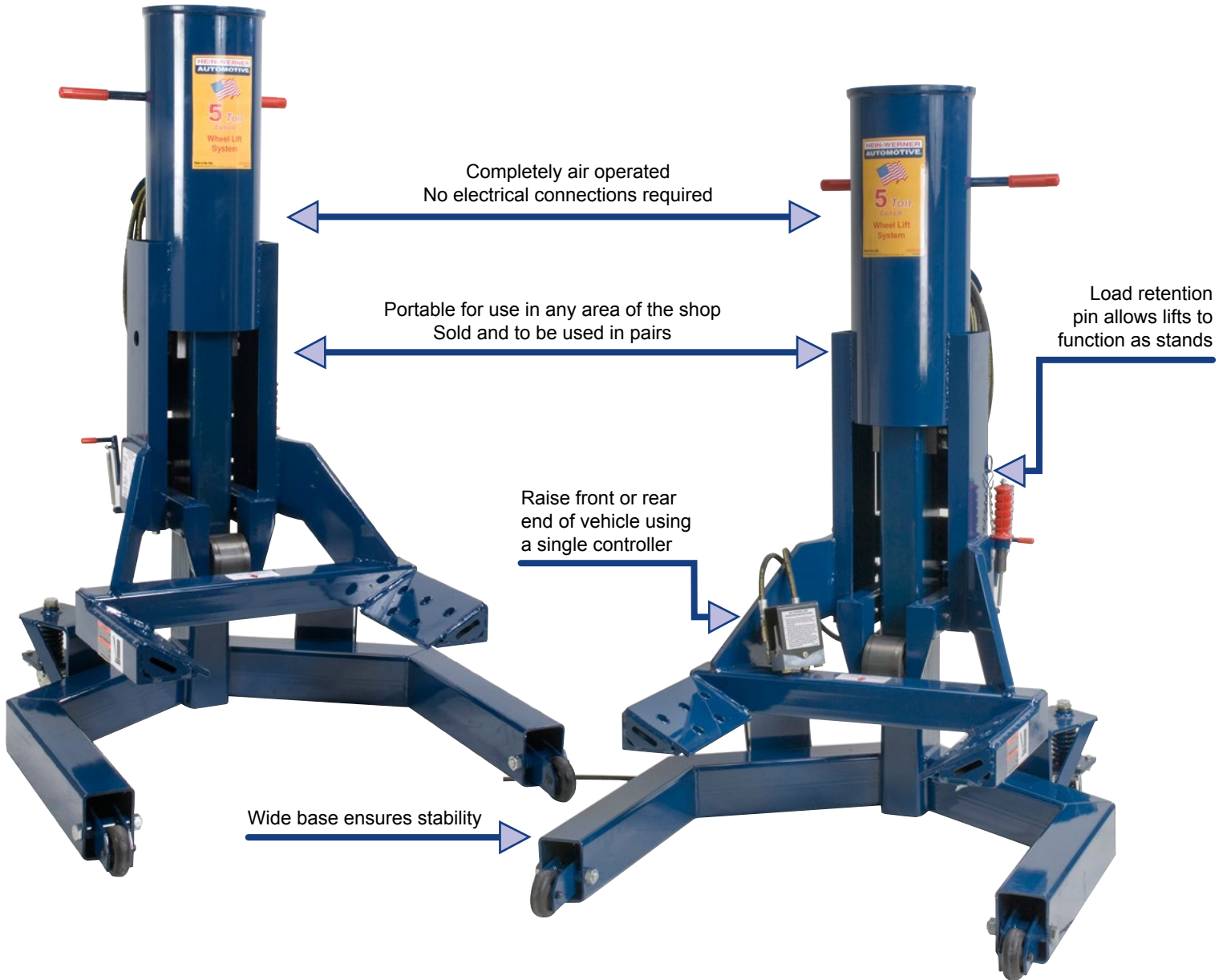
AIR CONTROL UNIT

One control valve operates both units simultaneously



HW93693 10 Ton Wheel Lift System

Made in USA



| Model | Capacity | Minimum Height | Maximum Height | Power Raise | Min. Wheel Diameter | Max. Wheel Diameter | Frame Size (W x D X H) | Operating Pressure | G.W. |
|---------|----------|----------------|----------------|-------------|---------------------|---------------------|------------------------------|--------------------|------------|
| HW93693 | 10 Ton | Floor Level | 24" | 24" | 19.5" | 24.5" | 41-9/16" X 44-1/4" X 53-1/4" | 160 PSI | 1,234 Lbs. |

HW93300 SERIES - MANUAL OR AIR

25 Ton Shop Press

- Frames made in the USA

Made in **USA**

- Excellent for bending, bonding, or straightening applications
- Ideal for the removal or installation of gears, universal joints, pulleys, wrist pins, and other press jobs
- Industrial grade hydraulics

Includes hand winch for easy bed adjustments

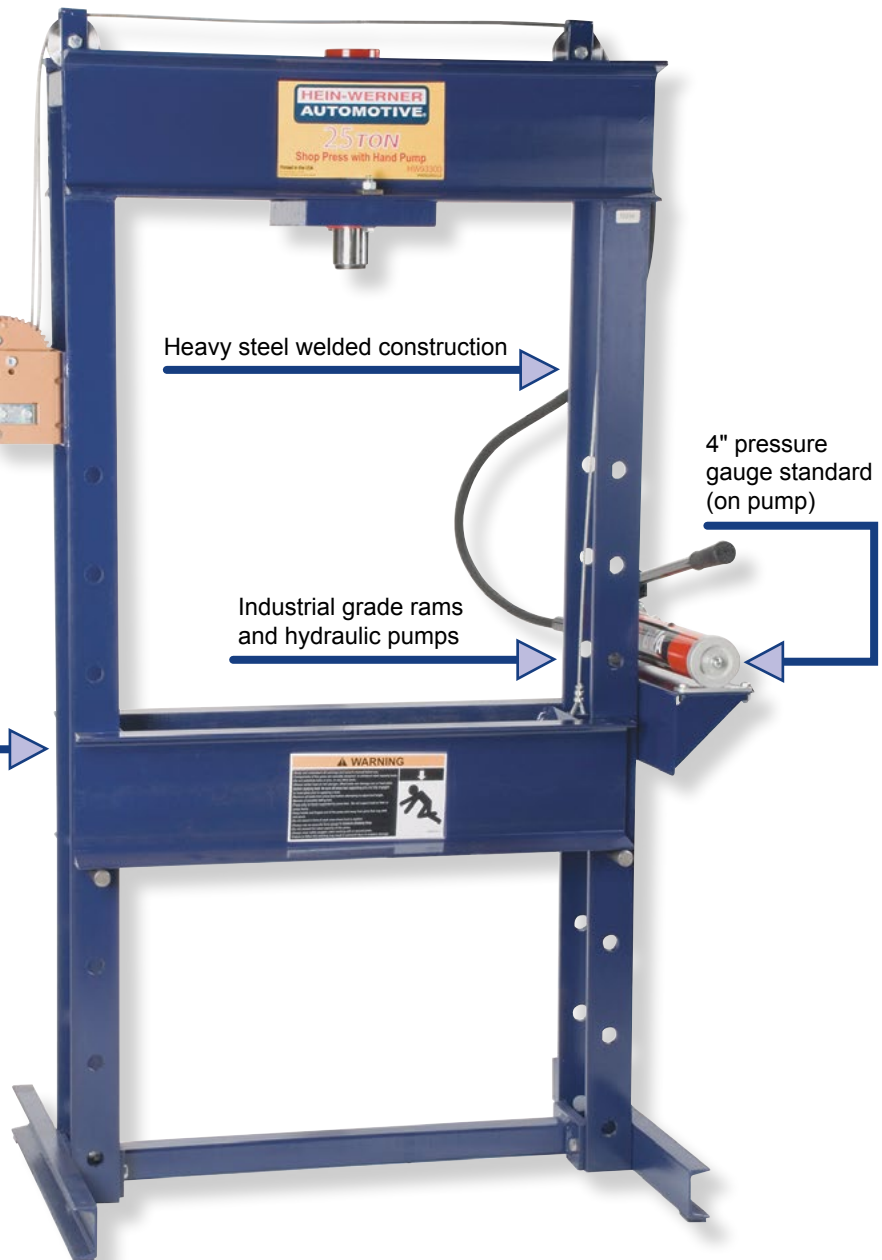
Multi-position bed for work height adjustment

Heavy steel welded construction

Industrial grade rams and hydraulic pumps

4" pressure gauge standard (on pump)

Optional Shop Press Guard HW93325



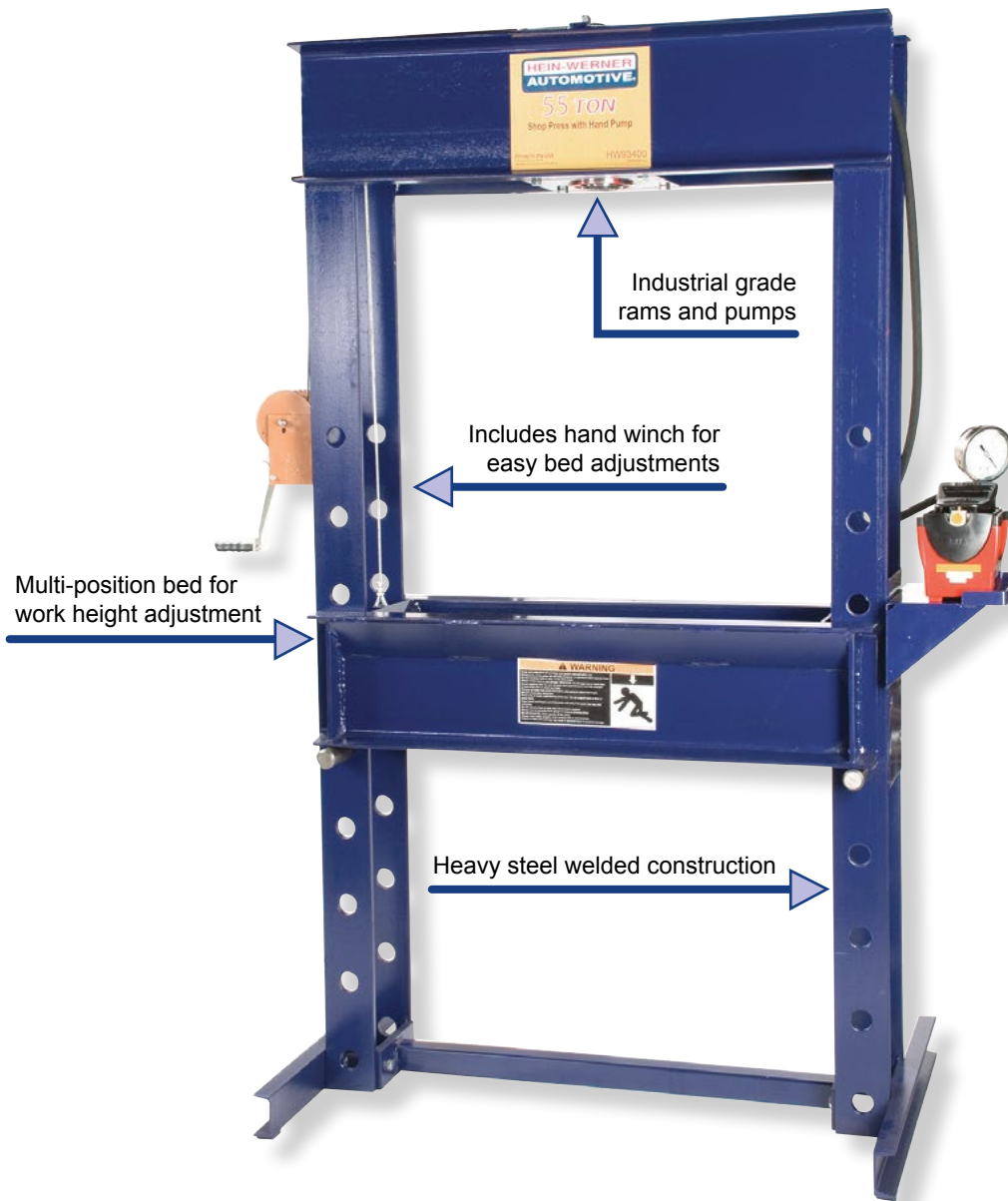
| Model | Capacity | Stroke | Pump Type | Press Size (H x W x L) | Interior Width | Bed Depth | Bed Position | Channel Width | Working Height | G.W. |
|---------|----------|--------|-----------|------------------------|----------------|-----------|--------------|---------------|------------------|----------|
| HW93300 | 25 Ton | 6" | Manual | 71 x 44 x 30 | 29-3/4" | 11-1/2" | 8 | 6-3/4" | 5-1/2" ~ 47-1/2" | 484 Lbs. |
| HW93301 | | | Air | | | | | | | 487 Lbs. |
| HW93305 | | | Manual | | | | | | | 510 Lbs. |
| HW93306 | | | Electric | | | | | | | 510 Lbs. |

HW93400 SERIES - MANUAL, AIR OR ELECTRIC 55 Ton Shop Press

- Frames made in the USA

Made in USA

- Excellent for bending, bonding, or straightening applications
- Ideal for the removal or installation of gears, universal joints, pulleys, wrist pins, and other press jobs
- Industrial grade hydraulics



Optional Shop Press Guard HW93425



| Model | Capacity | Stroke | Pump Type | Press Size (H x W x L) | Interior Width | Bed Depth | Bed Position | Channel Width | Working Height | G.W. |
|---------|----------|----------|-----------|------------------------|----------------|-----------|--------------|---------------|------------------|----------|
| HW93400 | 55 Ton | 6" | Manual | 80-1/2" x 53" x 30" | 35-1/2" | 14-7/8" | 9 | 9-1/4" | 7-1/2" ~ 55-1/2" | 855 Lbs. |
| HW93401 | | | Air | | | | | | | 850 Lbs. |
| HW93402 | | | Electric | | | | | | | 916 Lbs. |
| HW93403 | | Air | 891 Lbs. | | | | | | | |
| HW93404 | | Electric | 948 Lbs. | | | | | | | |

HW93410 SERIES - MANUAL, AIR OR ELECTRIC

55 Ton Rolling Head Shop Press

- Frames made in the USA

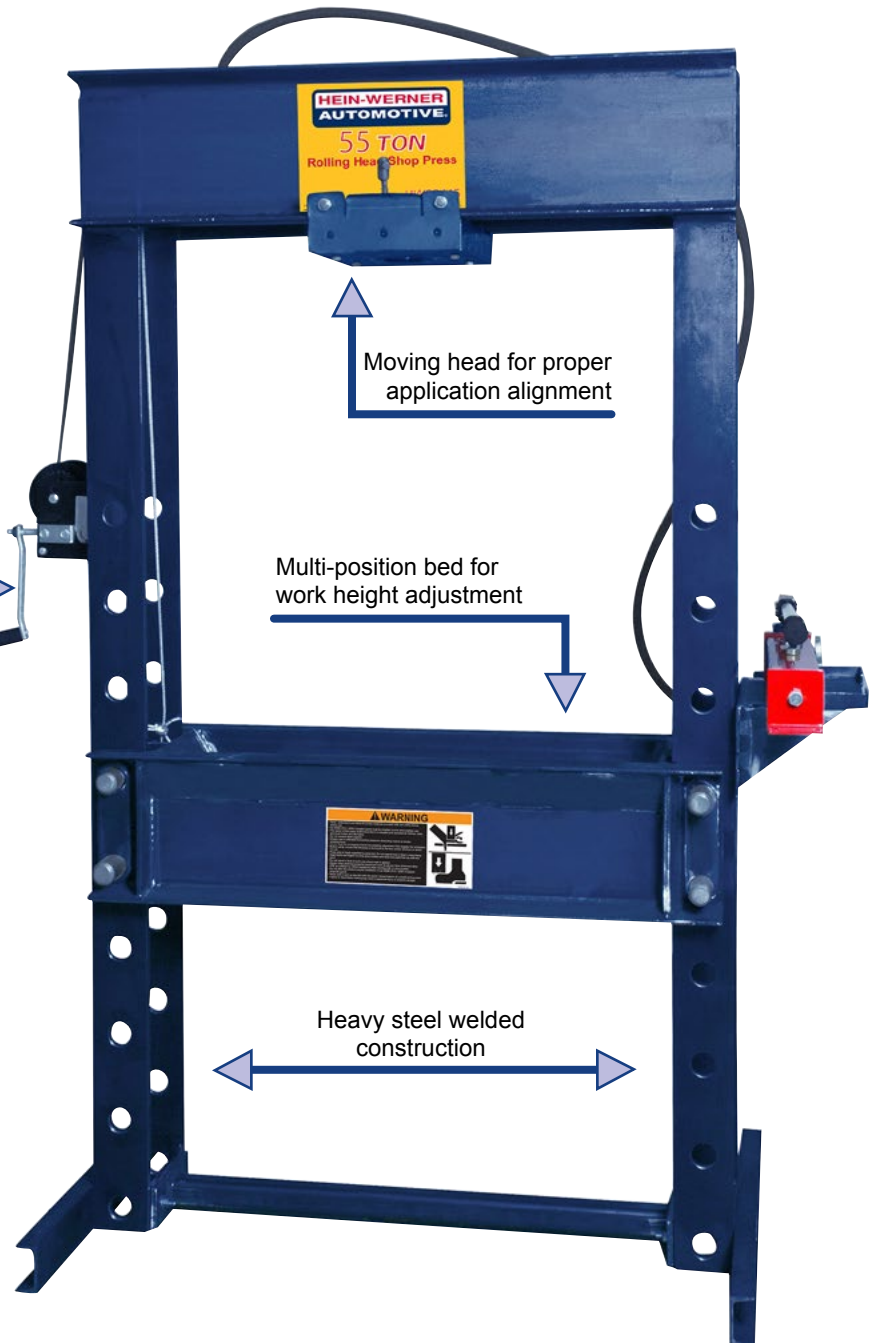
Made in **USA**

- Excellent for bending, bonding, or straightening applications
- Ideal for the removal or installation of gears, universal joints, pulleys, wrist pins, and other press jobs
- Industrial grade hydraulics

Includes hand winch for easy bed adjustments



Optional Shop Press Guard HW93425



| Model | Capacity | Stroke | Pump Type | Press Size (H x W x L) | Interior Width | Bed Depth | Bed Position | Channel Width | Working Height | G.W. |
|-------------------------|----------|----------|-----------|------------------------|----------------|-----------|--------------|---------------|-------------------|----------|
| HW93410 | 55 Ton | 6" | Manual | 80-1/2" x 53" x 30" | 35-1/2" | 14-7/8" | 9 | 9-1/4" | 15-3/8" ~ 51-3/8" | 855 Lbs. |
| HW93411 | | | Air | | | | | | | 850 Lbs. |
| HW93412 | | | Electric | | | | | | | 916 Lbs. |
| HW93413 | | Air | 13" | | | | | | | 891 Lbs. |
| HW93414 | | Electric | | | | | | | | 948 Lbs. |
| HW93415 (Double Acting) | | Electric | | | | | | | | 948 Lbs. |

HW93405 DOUBLE ACTING 55 Ton Shop Press

Double acting cylinder provides fast and efficient advance and retract to minimize time on the job

4" pressure gauge standard

- Frames made in the USA

Made in USA

- Excellent for bending, bonding, or straightening applications
- Ideal for the removal or installation of gears, universal joints, pulleys, wrist pins, and other press jobs
- Industrial grade hydraulics

Industrial grade rams and pumps

Includes hand winch for easy bed adjustments

Multi-position bed for work height adjustment

Heavy steel welded construction

Optional Shop Press Guard HW93425



| Model | Capacity | Stroke | Pump Type | Press Size (H x W x L) | Interior Width | Bed Depth | Bed Position | Channel Width | Working Height | G.W. |
|---------|----------|--------|-----------|------------------------|----------------|-----------|--------------|---------------|----------------|----------|
| HW93405 | 55 Ton | 13" | Electric | 80-1/2" x 53" x 30" | 35-1/2" | 14-7/8" | 9 | 9-1/4" | 7-1/2"~55-1/2" | 968 Lbs. |

HW93610 Series 100 Ton Shop Press

• Frames made in the USA

Made in **USA**

• Excellent for bending, bonding, or straightening applications

• Ideal for the removal or installation of gears, universal joints, pulleys, wrist pins, and other press jobs

Includes hand winch for easy bed adjustments

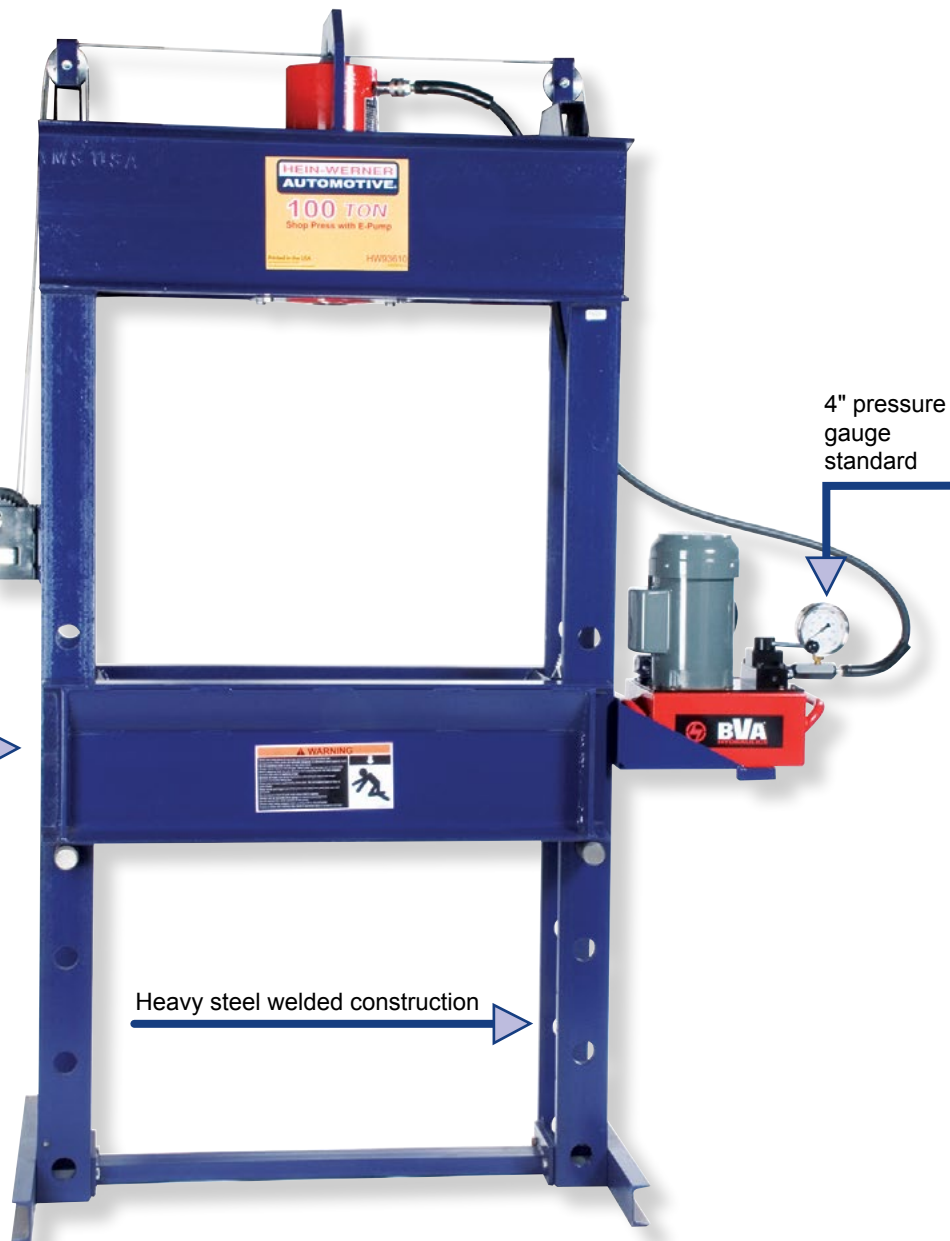
Multi-position bed for work height adjustment

4" pressure gauge standard

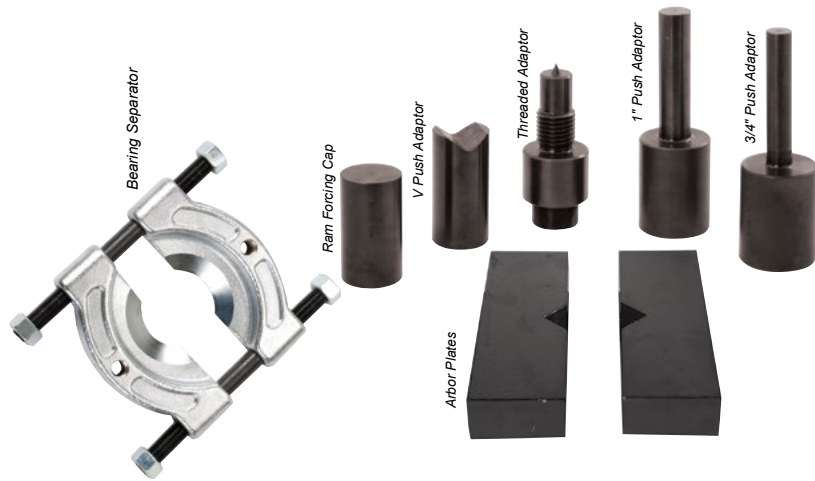
Optional Shop Press Guard HW93625



Heavy steel welded construction



| Model | Capacity | Stroke | Pump Type | Press Size (H x W x L) | Interior Width | Bed Depth | Bed Position | Channel Width | Working Height | G.W. |
|---------|----------|--------|-----------|------------------------|----------------|-----------|--------------|---------------|----------------|------------|
| HW93610 | 100 Ton | 10" | Electric | 89" x 63" x 30" | 35-3/8" | 16-1/4" | 6 | 10-1/4 | 12" ~ 52" | 1,221 Lbs. |
| HW93615 | | | | | | | 6 | 10 | | 770 Lbs. |



HW93309 25 Ton Shop Press Accessories Kit

Made in USA

Accessories kit contains

- Ram forcing cap (300-002-229)
- V push adaptor (300-002-807)
- Threaded adaptor (300-002-953)
- 1" push adaptor (300-002-511)
- 3/4" push adaptor (300-002-510)
- Arbor plates (AP25)
- Bearing Separators
- G.W. 38 Lbs..



HW93409 55 Ton Shop Press Accessories Kit

Made in USA

Accessories kit contains

- Ram forcing cap (400-002-230)
- V push adaptor (400-002-808)
- Threaded adaptor (400-002-368)
- 1-1/2" push adaptor (400-002-757)
- 1-1/4" push adaptor (400-002-756)
- Arbor plates (AP55)
- Bearing Separators
- G.W. 79 Lbs..



HW93291 1 Quart Premium Jack Oil

HW93294 1 Gallon Premium Jack Oil

| Model Number | Volume | Viscosity Index | Viscosity @ 100°F (S.U.S.) | Viscosity @ 210°F (S.U.S.) | ISO Grade | Flash Point | Pour Point | API Gravity |
|--------------|----------|-----------------|----------------------------|----------------------------|-----------|-------------|------------|-------------|
| HW93291 | 1 Quart | 93 min. | 65 | 35 | 10 | 405 °F | -59 °F | 25.5 |
| HW93294 | 1 Gallon | | | | | | | |

RCHW100

Hein-Werner Racing Chair





TWO YEAR LIMITED WARRANTY

Warranty Information

For a period of two (2) years from date of purchase, SFA Companies will repair or replace, at its option, without charge, any of its products which fails due to a defect in material or workmanship under normal usage. This limited warranty is a consumer's exclusive remedy.

Performance of any obligation under this warranty may be obtained by returning the warranted product, freight prepaid, to:

SFA Companies Warranty Service Department, 10939 N. Pomona Ave., Kansas City, MO 64153.

Except where such limitations and exclusions are specifically prohibited by applicable law:

(1) THE CONSUMER'S SOLE AND EXCLUSIVE REMEDY SHALL BE THE REPAIR OR REPLACEMENT OF DEFECTIVE PRODUCTS AS DESCRIBED ABOVE.

(2) SFA COMPANIES SHALL NOT BE LIABLE FOR ANY CONSEQUENTIAL OR INCIDENTAL DAMAGE OR LOSS WHATSOEVER.

(3) ANY IMPLIED WARRANTIES, INCLUDING WITHOUT LIMITATION THE IMPLIED WARRANTIES OF MERCHANTABILITY AND FITNESS FOR A PARTICULAR PURPOSE, SHALL BE LIMITED TO TWO YEARS, OTHERWISE THE REPAIR, REPLACEMENT OR REFUND AS PROVIDED UNDER THIS EXPRESS LIMITED WARRANTY IS THE EXCLUSIVE REMEDY OF THE CONSUMER, AND IS PROVIDED IN LIEU OF ALL OTHER WARRANTIES, EXPRESS OR IMPLIED.

(4) ANY MODIFICATION, ALTERATION, ABUSE, UNAUTHORIZED SERVICE OR ORNAMENTAL DESIGN VOIDS THIS WARRANTY AND IS NOT COVERED BY THIS WARRANTY.

- Some states do not allow limitations on how long an implied warranty lasts, so above limitation may not apply to you.
- Some states do not allow the exclusion or limitation of incidental or consequential damages, so the above limitation or exclusion may not apply to you. The warranty gives you specific legal rights, and you may also have other rights which vary from state to state.



Global Locations



USA

Shinn Fu Company of America
10939 N. Pomona Ave
Kansas City, MO 64153
USA

Tel: 888-332-6419, 816-891-6390
Fax: 816-891-6599
Email: sales@omegalift.com

Canada

Shinn Fu Company of Canada, Inc.
6355 Shawson Drive, Unit 1
Mississauga, Ontario L5T 1S7
Canada

Tel: 888-820-3737, 1-905-362-2277
Fax: 905-362-2280
Email: sales@shinnfucanada.ca

Asia

Shinn Fu Corporation Headquarters
7F., NO.618 Ruei Guang Road
Nei Hu District, Taipei City 114
Taiwan R.O.C.

Tel: 886-2-87517888
Fax: 886-2-87517999

Europe

Shinn Fu Europe B.V.
Tussenrimer 20, 4704 SR
Roosendaal
The Netherlands

Tel: +31-165-583-300
Fax: +31-165-583-310
Email: sales@sfeu.nl

Australia

Shinn Fu Australia PTY, Ltd.
15 Viewtech Place
Rowville 3178 Victoria
Australia

Tel: +61-3-9755-8277
Fax: +61-3-9755-8219

