

LIFT PRODUCTS INC.

INNOVATIONS IN ERGONOMICS



Lifting Solutions



For Every Space



PO Box 349 • Elm Grove, Wisconsin 53122-0349 • Tel 262-521-5720 • Fax 262-521-5725 • TOLL FREE 877-LIFTPRO (877-543-8776)

www.liftproducts.com • lpi@liftproducts.com

ROTO-MAX Work Positioner

Ergonomically Designed For The Operator

Roto-Max was designed from the ground up with the operator in mind. The Roto-Max electric hydraulic work positioner places the load at the ideal height for the individual by allowing the operator to determine where he or she would like the work load positioned.

It doesn't matter how short or tall the individual is since the operator determines the most comfortable working height. The Roto-Max allows complete flexibility to do the ergonomically safest job with maximum efficiency.

Whether the load is one pound or 3,500 pounds, the positioner height does not change until the individual wants it to change.

With a lowered height of only 6 1/2", an operator has easy access to the top layer of product. The raised height of 32 1/2" (plus pallet height) is ideally suited for most applications.

The 43" diameter top rotates easily, thus giving the operator access to product without having to stretch or walk around.

Models RTMX-30 and RTMX-25HS have high performance electric 1 1/2 hp motors and run on a standard 20 amp 115 volt single phase circuit.

The RTMX-35 has a high performance electric 2 hp motor with a 230/460 3 phase voltage as standard.

A magnetic backed control box is standard and a foot control switch is available as an optional item.



ROTO-MAX SPECIFICATIONS:

Model No.	Capacity lbs.	Lift Speed	Shipping Weight lbs.
RTMX-25HS	2,500	10 sec.	680
RTMX-30	3,000	14 sec.	680
RTMX-35	3,500	19 sec.	700

Common Dimensions

Lowered Height:	6 1/2"
Raised Height:	32 1/2"
Turntable:	43" Diameter, 360 Degree rotating
Base Frame:	30" x 45"

Specifications:

- Cylinders with internal stops, hard chrome plated, polished shafting hydraulic cylinder piston rods
- Surfaces degreased, descaled and finished with safety yellow and blue enamel
- Control box NEMA constant pressure, magnetic backed
- 10 foot power cord (Connector not included)
- Smooth steel top with yellow and black safety stripes
- S.A.E. hoses and fittings
- Integral safety restraint maintenance bars
- Internal gear pump with check valve, relief valve, solenoid valve
- Includes hydraulic oil and filter

- Foot control switch
- Accordion skirting
- Two casters and dolly handle
- Rotation brake
- Square or rectangular top
- Sprint Detents at 45° or 90° Degrees

Consult the factory for other special requirements.

Specifications subject to change without notice.

Lift Products Inc., products are covered by patents pending or other rights reserved.

ROTO-MAX Features



Only 6 1/2" lowered height including rotating top.

Optional powered rotating top available.



Optional semi-live wheels and dolly jack.

Raised height of 32 1/2"



Optional square or rectangular tops.



360° rotating top with heavy duty bearing and exclusive center Roto-Bearing.

Trapped top and bottom scissor arms.

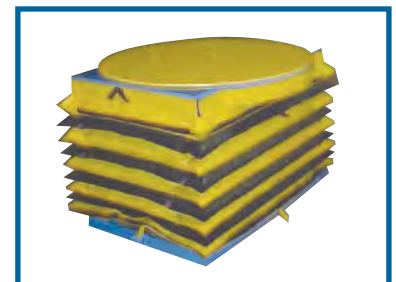
Zerk fittings on pivot points.

Motors & Controls: Easily Accessible

Integral, Retractable Maintenance Safety Bars.



Magnetic Backed Hand Control-Standard



Optional Accordion Safety Skirting



Optional Foot Control



Custom Semi-Stainless Available

MAX-LIFT Scissor Lift Tables

The best value in lift tables with unparalleled features! Reduces awkward bending and lifting since the work load is always at the correct level. The possibility of back injuries is also reduced and productivity is increased.

The "Max-Lift" table line offers the following standard features:

- Trapped top and bottom scissor arms
- Built-in safety bars
- Grease fittings on pivot points and cam rollers
- Magnetic backed control box
- High quality fit and finish



Captured 'Lift-Lok' secures top and base leg rollers.



Magnetic Backed Hand Control-Standard

Zerk Fittings on Camrollers and Pivot Points



Optional Foot Control

High Quality Camrollers, Pivot Pins and Bearings

Specifications on pages 5, 6 & 7

Integral, retractable maintenance safety bars

All welded construction meets AWS standard service

Tables conform to or exceed ANSI MH 29.1-1994/2008



Motor & Controls are easily accessible.



Double Max-Lift

The Double High Max-Lift is available with 72" of vertical travel for those high lift requirements. 96" or 120" travel is also available for those special applications. Contact factory for more information.

Max-Lift With Rotating Top

All Max-Lift Tables are available with square, rectangular, or round rotating tops. A variety of rotating top options can be selected for your application.



MAX-LIFT Scissor Lift Table - Standard

Additional models page 6 & 7

VERTICAL TRAVEL	MODEL	CAPACITY (POUNDS)	EDGE LOADS		PLATFORM SIZES		BASE FRAME (INCHES)	HEIGHT		UP SPEED (SECONDS)	MOTOR H/P	CYLINDER (QUANTITY)
			STATIC	ROLLING	STANDARD	MAXIMUM		LOWERED	RAISED			
24"	LPT-020-24	2000	2000	1500	24 x 36	48 x 60	24 x 36	7	31	7	1 1/2	1
	LPT-025-24	2500	2500	2000	24 x 36	48 x 60	24 x 36	7	31	8	1 1/2	1
	LPT-030-24	3000	3000	2000	24 x 36	48 x 60	24 x 36	7	31	10	1 1/2	1
	LPT-035-24	3500	3000	2000	24 x 36	48 x 60	24 x 36	7	31	13	1 1/2	1
	LPT-040-24	4000	3000	2350	24 x 36	48 x 60	24 x 36	7	31	15	1 1/2	1
	LPT-050-24	5000	3500	2350	24 x 36	48 x 60	24 x 36	7	31	18	1 1/2	2
	LPT-060-24	6000	3500	2350	24 x 36	48 x 60	24 x 36	7	31	20	1 1/2	2
36"	LPT-020-36	2000	2000	1500	24 x 48	48 x 72	24 x 48	7 1/4	43	9	1 1/2	1
	LPT-025-36	2500	2500	2000	24 x 48	48 x 72	24 x 48	7 1/4	43	11	1 1/2	1
	LPT-030-36	3000	3000	2000	24 x 48	48 x 72	24 x 48	7 1/4	43	12	1 1/2	1
	LPT-035-36	3500	3000	2000	24 x 48	48 x 72	24 x 48	7 1/4	43	16	1 1/2	1
	LPT-040-36	4000	3000	2000	24 x 48	48 x 72	24 x 48	7 1/4	43	18	1 1/2	1
	LPT-045-36	4500	3500	2350	24 x 48	48 x 72	24 x 48	7 1/4	43	19	1 1/2	2
	LPT-050-36	5000	3500	2350	24x 48	48 x 72	24 x 48	7 1/4	43	24	1 1/2	2
LPT-060-36	6000	3500	2350	24x 48	48 x 72	24 x 48	7 1/4	43	25	1 1/2	2	
48"	LPT-020-48	2000	2000	1500	25 x 64	48 x 96	25 x 64	7 1/2	55	19	1 1/2	1
	LPT-025-48	2500	2500	1750	25 x 64	48 x 96	25 x 64	7 1/2	55	21	1 1/2	1
	LPT-030-48	3000	3000	2000	25 x 64	48 x 96	25 x 64	7 1/2	55	25	1 1/2	2
	LPT-035-48	3500	3000	2000	25 x 64	48 x 96	25 x 64	7 1/2	55	26	1 1/2	2
	LPT-040-48	4000	3000	2000	25 x 64	48 x 96	25 x 64	7 1/2	55	28	1 1/2	2
	LPT-050-48	5000	3500	2350	25 x 64	48 x 96	25 x 64	7 1/2	55	34	1 1/2	2
	LPT-060-48	6000	3500	2350	25 x 64	48 x 96	25 x 64	7 1/2	55	42	1 1/2	3
60"	LPT-020-60	2000	2000	1500	25 x 84	48 x 108	24 x 84	8	68	30	1 1/2	1
	LPT-025-60	2500	2500	2000	25 x 84	48 x 108	24 x 84	8	68	34	1 1/2	1
	LPT-030-60	3000	3000	2000	25 x 84	48 x 108	24 x 84	8	68	39	1 1/2	2
	LPT-035-60	3500	3000	2000	25 x 84	48 x 108	24 x 84	8	68	42	1 1/2	2
	LPT-040-60	4000	3000	2000	25 x 84	48 x 108	24 x 84	8	68	51	1 1/2	2
	LPT-050-60	5000	3500	2350	25 x 84	48 x 108	24 x 84	8	68	60	1 1/2	3
	LPT-060-60	6000	3500	2350	25 x 84	48 x 108	24 x 84	8	68	70	1 1/2	3

Lift Products, Inc. scissors lift tables are available in capacities from 2,000 lbs. to 10,000 lbs. Travel of 24" to 72" with deck sizes ranging from 24" x 36" to 72" x 108".

MAX-LIFT Scissor Lift Table - 36" Wide Base

VERTICAL TRAVEL	MODEL	CAPACITY (POUNDS)	EDGE LOADS		PLATFORM SIZES		BASE FRAME (INCHES)	HEIGHT		UP SPEED (SECONDS)	MOTOR H/P	CYLINDER (QUANTITY)
			STATIC	ROLLING	STANDARD	MAXIMUM		LOWERED	RAISED			
36"	LPT3W-020-36	2000	2000	1500	36 x 48	60 x 72	36 x 48	7 1/4	43	10	1 1/2	1
	LPT3W-025-36	2500	2500	2000	36 x 48	60 x 72	36 x 48	7 1/4	43	12	1 1/2	1
	LPT3W-030-36	3000	3000	2000	36 x 48	60 x 72	36 x 48	7 1/4	43	13	1 1/2	1
	LPT3W-035-36	3500	3000	2000	36 x 48	60 x 72	36 x 48	7 1/4	43	17	1 1/2	1
	LPT3W-040-36	4000	3000	2000	36 x 48	60 x 72	36 x 48	7 1/4	43	19	1 1/2	1
	LPT3W-045-36	4500	3500	2350	36 x 48	60 x 72	36 x 48	7 1/4	43	20	1 1/2	2
	LPT3W-050-36	5000	3500	2350	36 x 48	60 x 72	36 x 48	7 1/4	43	25	1 1/2	2
LPT3W-060-36	6000	3500	2350	36 x 48	60 x 72	36 x 48	7 1/4	43	26	1 1/2	2	
48"	LPT3W-020-48	2000	2000	1500	36 x 64	60 x 96	36 x 64	7 1/2	55	24	1 1/2	1
	LPT3W-025-48	2500	2500	1750	36 x 64	60 x 96	36 x 64	7 1/2	55	25	1 1/2	1
	LPT3W-030-48	3000	3000	2000	36 x 64	60 x 96	36 x 64	7 1/2	55	27	1 1/2	2
	LPT3W-035-48	3500	3000	2000	36 x 64	60 x 96	36 x 64	7 1/2	55	32	1 1/2	2
	LPT3W-040-48	4000	3000	2000	36 x 64	60 x 96	36 x 64	7 1/2	55	33	1 1/2	2
	LPT3W-050-48	5000	3500	2350	36 x 64	60 x 96	36 x 64	7 1/2	55	34	1 1/2	2
	LPT3W-060-48	6000	3500	2350	36 x 64	60 x 96	36 x 64	7 1/2	55	35	1 1/2	3
50"	LPT3W-020-60	2000	2000	2000	36 x 84	60 x 108	36 x 84	8	68	30	1 1/2	1
	LPT3W-025-60	2500	2500	2500	36 x 84	60 x 108	36 x 84	8	68	35	1 1/2	1
	LPT3W-030-60	3000	3000	3000	36 x 84	60 x 108	36 x 84	8	68	40	1 1/2	2
	LPT3W-035-60	3500	3000	3000	36 x 84	60 x 108	36 x 84	8	68	43	1 1/2	2
	LPT3W-040-60	4000	3000	3000	36 x 84	60 x 108	36 x 84	8	68	53	1 1/2	2
	LPT3W-050-60	5000	3500	3500	36 x 84	60 x 108	36 x 84	8	68	64	1 1/2	3
	LPT3W-060-60	6000	3500	3500	36 x 84	60 x 108	36 x 84	8	68	71	1 1/2	3

MAX-LIFT Scissor Lift Table - 48" Wide Base

VERTICAL TRAVEL	MODEL	CAPACITY (POUNDS)	EDGE LOADS		PLATFORM SIZES		BASE FRAME (INCHES)	HEIGHT		UP SPEED (SECONDS)	MOTOR H/P	CYLINDER (QUANTITY)
			STATIC	ROLLING	STANDARD	MAXIMUM		LOWERED	RAISED			
36"	LPT4W-020-36	2000	2000	1500	48 x 48	72 x 72	48 x 48	7 1/4	43	10	1 1/2	1
	LPT4W-025-36	2500	2500	2000	48 x 48	72 x 72	48 x 48	7 1/4	43	12	1 1/2	1
	LPT4W-030-36	3000	3000	2000	48 x 48	72 x 72	48 x 48	7 1/4	43	13	1 1/2	2
	LPT4W-035-36	3500	3000	2000	48 x 48	72 x 72	48 x 48	7 1/4	43	17	1 1/2	2
	LPT4W-040-36	4000	3000	2000	48 x 48	72 x 72	48 x 48	7 1/4	43	19	1 1/2	2
	LPT4W-045-36	4500	3500	2350	48 x 48	72 x 72	48 x 48	7 1/4	43	20	1 1/2	2
	LPT4W-050-36	5000	3500	2350	48 x 48	72 x 72	48 x 48	7 1/4	43	25	1 1/2	2
LPT4W-060-36	6000	3500	2350	48 x 48	72 x 72	48 x 48	7 1/4	43	26	1 1/2	2	
48"	LPT4W-020-48	2000	2000	1500	48 x 64	72 x 96	48 x 64	7 1/2	55	24	1 1/2	1
	LPT4W-025-48	2500	2500	1750	48 x 64	72 x 96	48 x 64	7 1/2	55	25	1 1/2	1
	LPT4W-030-48	3000	3000	2000	48 x 64	72 x 96	48 x 64	7 1/2	55	27	1 1/2	2
	LPT4W-035-48	3500	3000	2000	48 x 64	72 x 96	48 x 64	7 1/2	55	32	1 1/2	2
	LPT4W-040-48	4000	3000	2000	48 x 64	72 x 96	48 x 64	7 1/2	55	33	1 1/2	2
	LPT4W-050-48	5000	3500	2350	48 x 64	72 x 96	48 x 64	7 1/2	55	34	1 1/2	2
	LPT4W-060-48	6000	3500	2350	48 x 64	72 x 96	48 x 64	7 1/2	55	35	1 1/2	3
60"	LPT4W-020-60	2000	2000	1500	48 x 84	72 x 108	48 x 84	8	68	30	1 1/2	1
	LPT4W-025-60	2500	2500	2000	48 x 84	72 x 108	48 x 84	8	68	35	1 1/2	1
	LPT4W-030-60	3000	3000	2000	48 x 84	72 x 108	48 x 84	8	68	40	1 1/2	2
	LPT4W-035-60	3500	3000	2000	48 x 84	72 x 108	48 x 84	8	68	43	1 1/2	2
	LPT4W-040-60	4000	3000	2000	48 x 84	72 x 108	48 x 84	8	68	53	1 1/2	2
	LPT4W-050-60	5000	3500	2350	48 x 84	72 x 108	48 x 84	8	68	64	1 1/2	3
	LPT4W-060-60	6000	3500	2350	48 x 84	72 x 108	48 x 84	8	68	71	1 1/2	3

Internally mounted 1 1/2 hp. 115/230V-I-60 or 230/460-3-60 intermittent duty TENV super torque motor.
 Specify voltage.
 115V operating control voltage.
 NEMA constant pressure. Magnet backed up-down push button control station with 10' straight or coiled cord.
 NEMA - I prewired controls and electrical connectors. Control box contains contactor, control transformer, thermal overload and fuse.
 All controller components meet UL and/or CSA specifications.
 Cylinders with internal stops.
 10 ft. power cord. (connector not included)
 Hard, chrome plated, polished shafting hydraulic cylinder piston rods.

Surfaces degreased, descaled and finished with Safety Yellow and Blue enamel.
 Smooth steel top with yellow and black safety stripes.
 S.A.E. hoses and fittings.
 Integral safety restraint maintenance bars.
 Internal gear pump with check valve, relief valve, solenoid valve.
 Includes hydraulic oil and filter.
 Limited Warranty
 90 day repair or replacement on total product. 90 days on electrical components, except motors. 5 years or 100,000 cycles on bearings. 5 years on structural.
 Specifications are subject to change without notice. Consult your dealer for current information.
 Lift Products, Inc. products are covered by Patents Pending and

other rights reserved.
OPTIONS:
 Foot control switch with a 10' cord.
 Accordion Skirting or Roller Curtain Skirting.
 Tapered Toe Guards for Pit Mounting.
 Rotating Top.
 Casters.
 Semi-live with Jack Handle.
 Special Controls.
 All Stainless Steel Top
 Perimeter Safety Bar
 Other Options Available

Contact Factory for Special Requirements.

DOUBLE HIGH MAX-LIFT TABLES

VERTICAL TRAVEL	MODEL	CAPACITY (Lbs.)	EDGE LOADS		PLATFORM SIZES		BASE FRAME (INCHES)*	HEIGHT		SHIP WT. (Lbs.)
			STATIC	ROLLING	STANDARD	MAXIMUM		LOWERED	RAISED	
72"	LPT-20-72XXH	2000	2000	1500	24 X 48	48 X 72	24 X 48	14.5	86.5	560
72"	LPT-25-72XXH	2500	2500	2000	24 X 48	48 X 72	24 X 48	14.5	86.5	595
72"	LPT-30-72XXH	3000	3000	2000	24 X 48	48 X 72	24 X 48	14.5	86.5	630
72"	LPT-35-72XXH	3500	3000	2000	24 X 48	48 X 72	24 X 48	14.5	86.5	665
72"	LPT-40-72XXH	4000	3000	2350	24 X 48	48 X 72	24 X 48	14.5	86.5	700
72"	LPT-45-72XXH	5000	3500	2350	24 X 48	48 X 72	24 X 48	14.5	86.5	735
96"	LPT-20-96XXH	2000	2000	1500	25 X 64	48 X 88	25 X 64	15	111	660
96"	LPT-25-96XXH	2500	2500	2000	25 X 64	48 X 88	25 X 64	15	111	695
96"	LPT-30-96XXH	3000	3000	2000	25 X 64	48 X 88	25 X 64	15	111	730
96"	LPT-35-96XXH	3500	3000	2000	25 X 64	48 X 88	25 X 64	15	111	765
96"	LPT-40-96XXH	4000	3000	2000	25 X 64	48 X 88	25 X 64	15	111	800

DOUBLE LONG MAX-LIFT TABLES

VERTICAL TRAVEL	MODEL	CAPACITY (Lbs.)	EDGE LOADS		PLATFORM SIZES		BASE FRAME (INCHES)	HEIGHT		SHIP WT. (Lbs.)
			STATIC	ROLLING	STANDARD	MAXIMUM		LOWERED	RAISED	
36"	LPT-020-36XXL	2000	2000	1500	26 X 96	48 X 144	30 X 96	7.75	43.75	1,320
36"	LPT-030-36XXL	3000	3000	2000	26 X 96	48 X 144	30 X 96	7.75	43.75	1,400
36"	LPT-040-36XXL	4000	3000	2350	26 X 96	48 X 144	30 X 96	7.75	43.75	1,525
36"	LPT-060-36XXL	6000	3500	2350	26 X 96	48 X 144	30 X 96	7.75	43.75	1,600
36"	LPT-080-36XXL	8000	3500	2350	26 X 96	48 X 144	30 X 96	7.75	43.75	1,670
48"	LPT-020-48XXL	2000	2000	1500	27 X 130	48 X 192	31 X 128	8.00	56	1,590
48"	LPT-030-48XXL	3000	3000	2000	27 X 130	48 X 192	31 X 128	8.00	56	1,640
48"	LPT-040-48XXL	4000	3000	2000	27 X 130	48 X 192	31 X 128	8.00	56	1,710
48"	LPT-060-48XXL	6000	3500	2350	27 X 130	48 X 192	31 X 128	8.00	56	1,900
48"	LPT-080-48XXL	8000	3500	2350	27 X 130	48 X 192	31 X 128	8.00	56	1,990
60"	LPT-020-60XXL	2000	2000	1500	27 X 170	48 X 216	31 X 168	8.5	68.5	2,000
60"	LPT-030-60XXL	3000	3000	2000	27 X 170	48 X 216	31 X 168	8.5	68.5	2,140
60"	LPT-040-60XXL	4000	3000	2000	27 X 170	48 X 216	31 X 168	8.5	68.5	2,230
60"	LPT-060-60XXL	6000	3500	2350	27 X 170	48 X 216	31 X 168	8.5	68.5	2,350
60"	LPT-080-60XXL	8000	3500	2350	27 X 170	48 X 216	31 X 168	8.5	68.5	2,440

DOUBLE WIDE MAX-LIFT TABLES

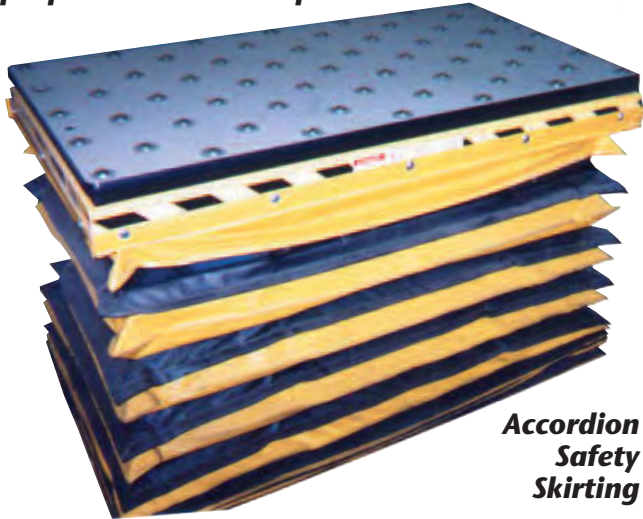
VERTICAL TRAVEL	MODEL	CAPACITY (Lbs.)	EDGE LOADS		PLATFORM SIZES		BASE FRAME (INCHES)	HEIGHT		SHIP WT. (Lbs.)
			STATIC	ROLLING	STANDARD	MAXIMUM		LOWERED	RAISED	
36"	LPT-020-36XXW	2000	2000	1500	50 X 50	100 X 50	50 X 50	7.75	43.75	840
36"	LPT-030-36XXW	3000	3000	2000	50 X 50	100 X 50	50 X 50	7.75	43.75	875
36"	LPT-040-36XXW	4000	3000	2350	50 X 50	100 X 50	50 X 50	7.75	43.75	910
36"	LPT-060-36XXW	6000	3500	2350	50 X 50	100 X 50	50 X 50	7.75	43.75	945
36"	LPT-080-36XXW	8000	3500	2350	50 X 50	100 X 50	50 X 50	7.75	43.75	980
48"	LPT-020-48XXW	2000	2000	1500	52 X 66	48 X 192	52 X 66	8.00	56	1,015
48"	LPT-030-48XXW	3000	3000	2000	52 X 66	48 X 192	52 X 66	8.00	56	1,050
48"	LPT-040-48XXW	4000	3000	2000	52 X 66	48 X 192	52 X 66	8.00	56	1,085
48"	LPT-060-48XXW	6000	3500	2350	52 X 66	48 X 192	52 X 66	8.00	56	960
48"	LPT-080-48XXW	8000	3500	2350	52 X 66	48 X 192	52 X 66	8.00	56	995
60"	LPT-020-60XXW	2000	2000	1500	52 X 86	48 X 216	52 X 86	8.5	68.5	1,030
60"	LPT-030-60XXW	3000	3000	2000	52 X 86	48 X 216	52 X 86	8.5	68.5	1,065
60"	LPT-040-60XXW	4000	3000	2000	52 X 86	48 X 216	52 X 86	8.5	68.5	1,100
60"	LPT-060-60XXW	6000	3500	2350	52 X 86	48 X 216	52 X 86	8.5	68.5	1,135
60"	LPT-080-60XXW	8000	3500	2350	52 X 86	48 X 216	52 X 86	8.5	68.5	1,170

CUSTOM CAPABILITIES

**D.C. Operated Lift Table.
 Manual or Self Propelled**



Pop Up Ball Transfer Tops



**Accordion
 Safety
 Skirting**



**Conveyor Top
 Powered or Gravity**

MAX-LIFT Table Options

Square or Round Turn-Table



**Caster Frame Assembly Available
 in low profile (shown) or std.
 height design**



**Tapered Toe
 Guards for in floor
 Applications**



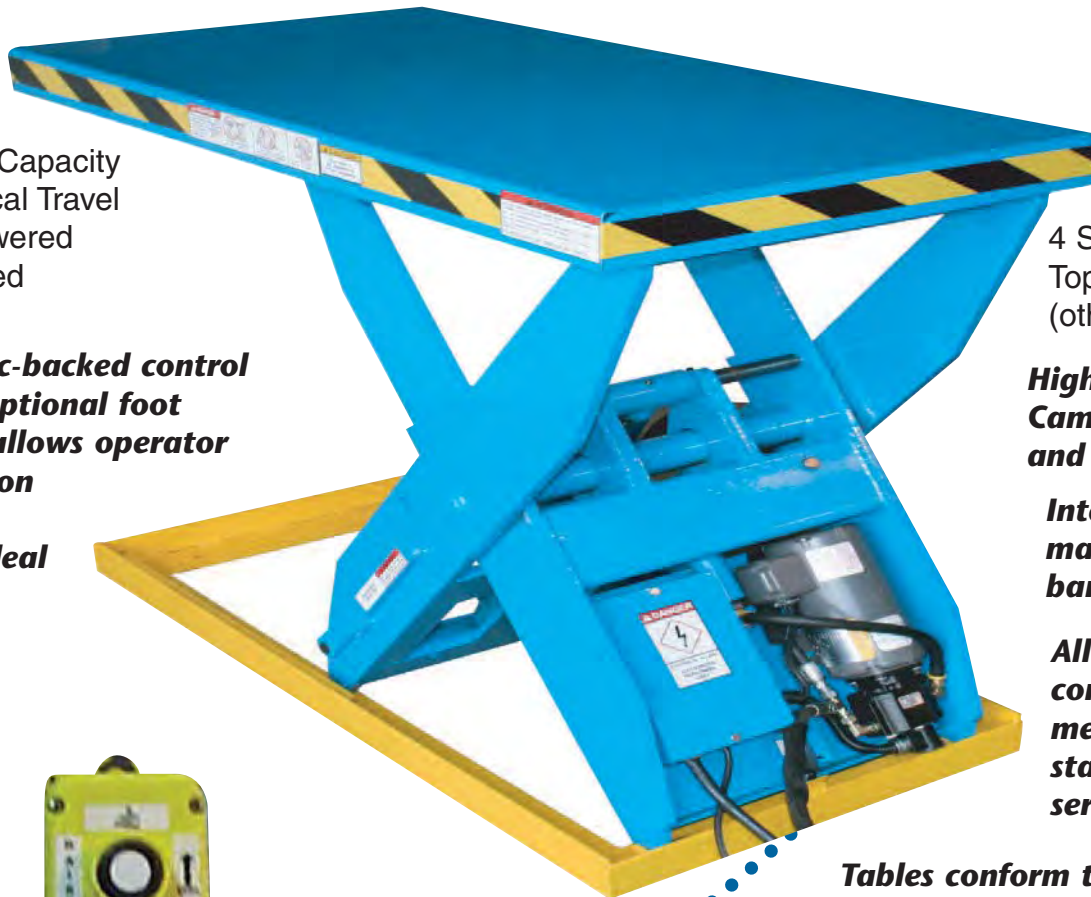
**Semi-Live with
 Dolly Jack**

Other Options Available: Stainless Steel Tops • Special Paint • Special Electrical Controls
Other Options: Contact Factory

MAX-M22 Medium Duty Lift Table

2,200 lb Capacity
36" Vertical Travel
7.25" Lowered
43" Raised

Magnetic-backed control box or optional foot control allows operator to position the load at the ideal height



4 Standard
Tops Available
(others upon request)

**High Quality
Camrollers, Pivot Pins
and Bearings**

**Integral, retractable
maintenance safety
bars**

**All welded
construction
meets AWS
standard
service**

**Tables conform to or exceed ANSI
MH 29.1-1994/2008**



**Motors and controls
are easily accessible**



**Optional Foot
Control**

The best value in lift tables! Reduces awkward bending and lifting since the work load is always at the correct level. The productivity is increased. The MAX-M22 table line offers the following standard features.

- **Trapped top and bottom scissor arms**
- **Built-in safety bars**
- **Life Time Lubricated Bearings**
- **Magnetic backed control box**
- **High quality fit and finish**

MAX-M22



MODEL M22-36

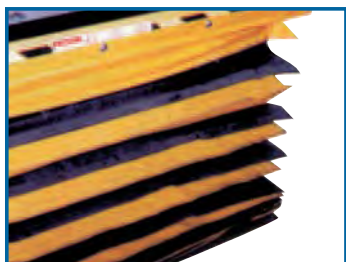
Capacity	2,200 lbs
Edge Load Capacity *	1,500 lbs
Table Size Standard *	24" x 48"
Base Size	24" x 48"
Lowered Height	7.25"
Raised Height	43.25"
Vertical Travel	36"
Motor	1 HP
Voltage	115 V Single Phase

* Capacity is based on uniform load.

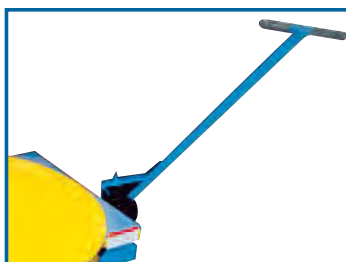
Standard Options Available

- T1 – 36" x 48" Top
- T2 – 48" x 48" Top
- T3 - 42" x 60" Top
- Foot Controls
- Casters 2 Rigid / 2 Swivel with Brakes
- Semi-Live Dolly Jack Handle and Casters
- Accordion Safety Skirting
- Custom Top Sizes

- Internally mounted 1 HP 115 Volt TENV motor. 115 Volt operating control voltage.
- NEMA constant pressure. Magnet backed up/down push button control station with 10' straight cord.
- NEMA – 1 prewired controls and electrical connectors. Control box contains contactor and control transformer.
- All controller components meet UL and/or CSA specifications.
- Cylinders with internal stops.
- 10 ft. power cord. (Connector not included)
- Hard chrome plated, polished shafting and hydraulic cylinder piston rods.
- Surface degreased, descaled and finished with Safety Yellow and Blue color.
- Smooth steel top with yellow and black safety stripes.
- S. A. E. hoses and fittings.
- Integral safety restraint maintenance bars.
- Internal gear pump with check valve, relief valve, solenoid valve.
- Includes hydraulic oil and filter.
- Limited warranty. 90 day repair or replacement on total product. 90 days on electrical components.
- Motors, pumps structure and cylinders are warranted for 1 year.
- Specifications are subject to change without notice. Consult your dealer for current information.
- Lift Products, Inc. products are covered by Patents Pending or other rights reserved.



Accordion Safety Skirting



Semi-Live Dolly Jack



Caster Frame Assembly

LIFT PRODUCTS NOT ONLY BUILDS TABLES, WE BUILD SOLUTIONS

"Innovations in Ergonomics" aptly describes our guiding philosophy. The development of material handling products with the emphasis on ergonomics enables us to actually contribute to a reduction of injuries in the workplace. Lift Products is proud to be able to offer products that are ergonomically designed and, as a result, substantially increase productivity.

We pride ourselves on being a valuable source for custom products as well as being able to make certain modifications to our standard products that are simply too difficult for many manufacturers to consider. If you have an unusual request, be sure to check with us. Chances are, we will be in a position to work with you.

*Remember, if you don't see exactly what you are looking for, call us toll free at: 877-LIFT-PRO (877-543-8776)
You are also invited to visit our web site at: www.liftproducts.com*

Customizing lift tables to your application



Max-MGV

The Max-MGV (manually Guided Vehicle) has been designed to move products in the assembly process from station to station and place them at the ideal height, increase through put and offer the most comfortable ergonomic position all without the assistance of other material handling equipment.

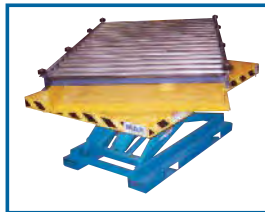


Custom Tilt-Table Up-ends Rolls

Rolls are conveyed onto tilter. Roll is tilted 90° to be placed on pallet and conveyed off.

Rotating Top Improves Productivity

- Rotating conveyor top with pneumatic brake roller stop
- Special air rotating bearing to eliminate hanging hoses or trip hazards
- Automatic stop at home position



Air Bearing Base Provides Easy Positioning

This table has a raised air bearing base that permits movement of heavy loads by floating the load from position to position.



Lift Products Offers Total Capability

Whether it's a simple lift table or a complete system, Lift Products offers the solution. The pictured lift table has these important features:

- Conveyor top.
- Custom manual blade stop with electric interlock to prevent movement unless in raised position.
- Pneumatic always up blade stop on stationary conveyor with photo-eye to lower when in home position.
- Automatic stop at home position when raising or lowering with push button override. This table was designed for a major transformer manufacturer to reduce injuries and increase productivity.



Double Scissors Long

For loads that require extra length. We offer tables up to 14 feet long. (Shown with optional accordion skirting and conveyor top).

G-Series Light Duty Industrial Lift Tables



2 G-Lift Table
 2,000 lb. Capacity



3 G-Lift Table
 3,000 lb. Capacity

The G-Series Lift Tables have been designed as an economical solution for light duty industrial applications. Available with 2,000 lb. and 3000 lb. capacities, the G-Series table can improve productivity and reduce injuries by placing loads at an ergonomic work height. The heavy duty 1.7 HP lift motor allows up to 12 full lifts per hour on average, with a competitive lift speed and runs on a 115 volt input 15 amp circuit. Available in 4 models, the G-Series has the right table for many applications. The G-Series tables are stock items and can usually ship in 24 hours.

The 3 G-Series Lift Tables offer a 3,000 lb. capacity. This lift table features 2 lift cylinders for increased capacity and has the same standard features as the 2 G models.

The G-Series tables are available with several options, fork pockets, casters and push handles. Contact factory for more information.

Model	Capacity	Platform Size	Base Size	Low Height	Raised Height	Lift Speed	Lowered Speed Empty	Motor	Wt
2G-2849	2,000 lb.	28" x 49"	24.75"x 46"	8"	40"	18.5 sec	17.6 sec	1.7 HP	400 lb.
2G-3849	2,000 lb.	38" x 49"	24.75"x 46"	8"	40"	18.5 sec	17.6 sec	1.7 HP	425 lb.
3G-3049	3,000 lb.	30" x 49"	29.25"x 45"	8"	40"	28 sec	33 sec	1.7 HP	530 lb.
3G-3849	3,000 lb.	38" x 49"	29.25"x 45"	8"	40"	28 sec	33 sec	1.7 HP	550 lb.

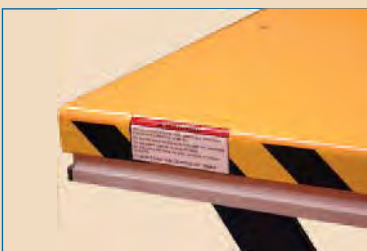
Standard Features

- Upper Platform Full Perimeter Safety Bar which prevents descent upon contact with an obstruction.
- Low Tension (24v) control box with up and down buttons. In addition the G-Series includes an electric circuit reset button in case safety perimeter bar is activated.
- Upper limit switch shuts motor off at full height extension reducing wear on lift cylinder and motor.
- Single acting lift cylinder with flow control to prevent fast lowering in case of hose burst.
- Lifetime lubricated bearings on lift arms.
- 1.7 Hp 115 volt motor with low amp draw and reliable performance.
- Runs on a standard 15 amp circuit.

The Full Perimeter Safety Bar – The full perimeter safety bar stops the table from lowering if it comes in contact with an obstruction. This feature improves safety when the table is used next to machinery, packing tables, work benches or other items when the table could cause entrapment while lowering. To reactivate the table the operator must reset the button on the control box.

Built In Maintenance Bar – The table includes built-in Flip Down Bars on each side of the outer scissors arms. These bars are to be flipped down while performing maintenance or inspection.

Exclusive 1.7 Hp Lift Motor – This intentionally oversized motor performs at a competitive lift speed with low amp draw. The high torque low RPM (1,700) lift motor is ETL-Rated. This 1.7 Hp motor is energy efficient, can run on a standard 15 amp circuit, and also features quiet operation.



GUARDIAN SERIES

Lift Tables

The Guardian Series represents the ultimate in lift table safety with features that are optional or not available on other lift tables. All Guardian Series lift tables meet and exceed both U.S. (ANSI) and European safety standards for lift tables. These models can be used in above-floor or in-floor pit applications.

Safety bar prevents descent on contact with obstruction.

Safety clearance between scissor and arms.

Single acting cylinder with check valve

Two button hand control standard, up, down.



Standard Safety Features:

- Upper platform fitted with aluminum safety bar preventing descent on contact with obstructions.
- Low-tension (24V) control box with up-down buttons. In addition the Guardian Series includes an electric circuit in case the safety perimeter is actuated.
- Internal power pack equipped with relief valve against overloading and compensated flow valve for controlled lowering speed. Electric circuit controlled by electronic system. Supply voltage 115 single phase.
- Single acting cylinders with drainage system and check valve to stop the lift table lowering in case of hose burst.

- Safety clearance between scissors to prevent trapping during operation.
- Mechanical block bars for safety maintenance operations.

Other Standard Features:

- Self lubricating bushings on pivot points.
- Removable lifting eye to facilitate handling and lift table installation.
- Standard motor 1 HP, 115 single phase voltage.

VERTICAL TRAVEL	MODEL	CAPACITY (LBS.)	PLATFORM SIZE	MAXIMUM OVERSIZE PLATFORM	BASE FRAME	LOWERED HEIGHT	RAISED HEIGHT	LIFT SPEED (SECONDS)
23 1/4"	LPB-10-0	1,100	31 1/2 X 39 3/8	N/A	29 1/2 X 39 3/8	7 7/8	31	9
39 1/2"	LPB-10-1	1,100	31 1/2 X 49 1/4	39 3/8 X 55	29 1/2 X 49 1/4	7 7/8	39 3/8	11
	LPB-10-2	1,100	39 3/8 X 49 1/4	N/A	29 1/2 X 49 1/4	7 7/8	39 3/8	11
39 3/8"	LPB-10-3	1,100	31 1/2 X 59	39 3/8 X 67	29 1/2 X 59	8 5/8	48	15
	LPB-10-4	1,100	39 3/8 X 59	N/A	29 1/2 X 59	8 5/8	48	15

Options: Foot Controls, Casters, Semi-Live with Dolly Jack, Rotating Tops, Other Size Platforms.
 For additional capacity and pertinent information see page 18. Dimensions are ±1/8".
 Capacity is based on uniformly distributed load. Offset loading can reduce capacity by 50%. Contact factory for clarification.

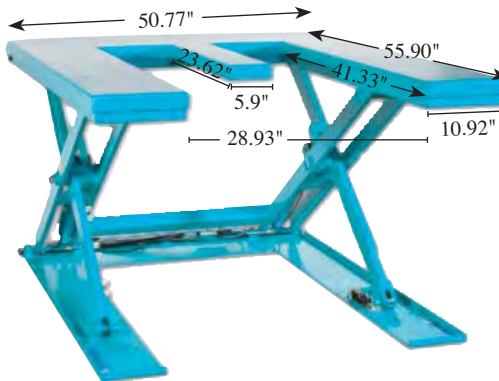
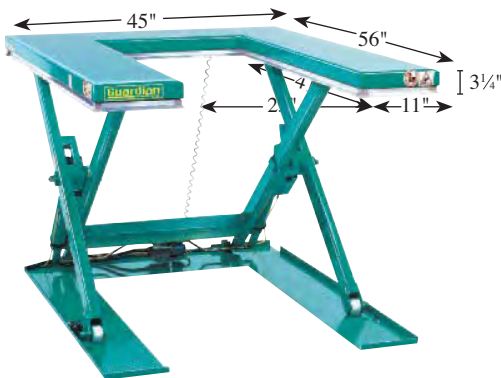
"U" and "E" Shaped Low Profile Lift Tables 3 1/4" Lowered Height

The "U" and "E" Low Profile Tables have all the safety features of our Low Profile Guardian Series Lift Tables. The low profile feature provides greater flexibility since a variety of applications can be accommodated. Also, installation costs are reduced since the need for a floor pit is eliminated.

With capacities ranging from 2,200 pounds to 3,300 pounds, the Guardian Series low profile lift tables are available with either an "E" or "U" shaped top for numerous material handling applications.

The "U" shaped low profile table is ideal for handling wire baskets, containers, plastic and wooden open bottom pallets. This design allows loading with either a manual or electric pallet truck without the need for a loading ramp.

The E-Lift low profile lift table has all the same features as the U-Lift and the other Guardian low profile tables. It is available in a 2,200 lb capacity. The advantage of the E-Lift is the center opening measures 28.9" which is ideal for a standard 27" wide pallet truck. The added center support of the E-Lift is designed to help prevent the pallet from deflecting downward in the center due to the wider center area. The center support is shorter than the outside legs to allow easier access with the pallet truck. The E-Lift, like the U-Lift, is designed for use with open bottom pallets, skids, containers or wire baskets.



Stainless/Galvanized available on all low profile models

VERTICAL TRAVEL	MODEL	CAPACITY (LBS.)	PLATFORM SIZE	BASE FRAME	LOWERED HEIGHT	RAISED HEIGHT	LIFT SPEED (SECONDS)	MOTOR (HP)
30 3/4	LPBLU-20-1	2,200	44 7/8 X 56*	42 X 52	3 1/8	33 7/8	18	1
29 1/2	LPBLU-30-1	3,300	45 5/8 X 59 7/8*	43 X 56 1/4	3 5/8	33 1/8	25	1

VERTICAL TRAVEL	MODEL	CAPACITY (LBS.)	PLATFORM SIZE	BASE FRAME	LOWERED HEIGHT	RAISED HEIGHT	LIFT SPEED (SECONDS)	MOTOR (HP)
30 3/4	LPBLE -20-1	2,200	55 7/8 X 50	54 X 52	3 1/8	33 7/8	18	1

Rectangular Top Low Profile Lift Tables 3 1/4" Lowered Height

VERTICAL TRAVEL	MODEL	CAPACITY (LBS.)	PLATFORM SIZE	BASE FRAME	LOWERED HEIGHT	RAISED HEIGHT	LIFT SPEED (SECONDS)	MOTOR (HP)
30 3/4	LPBL-10-1	1,100	31 1/2 X 55	29 X 52 3/4	3 1/4	34	10	1
30 3/4	LPBL-10-2	1,100	39 1/2 X 55	29 X 52 3/4	3 1/4	34	10	1
30 3/4	LPBL-20-1	2,200	31 1/2 X 55	29 X 52 3/4	3 1/4	34	18	1
30 3/4	LPBL-20-2	2,200	39 1/2 X 55	29 X 52 3/4	3 1/4	34	18	1
29 1/2	LPBL-30-1	3,300	31 1/2 X 61	29 X 52 3/4	3 5/8	33 1/8	25	1
29 1/2	LPBL-30-2	3,300	39 1/2 X 61	29 X 52 3/4	3 5/8	33 1/8	25	1

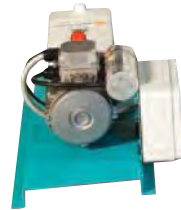
Loading ramps match width of table and are available in 32" or 48" lengths. Custom ramps are available. Other sizes: Contact factory. Capacity based on evenly distributed loads. Dimensions shown ± 1/8".

The Guardian Series meets and exceeds both U.S. (ANSI) and European safety standards.

Standard Features:

- Upper platform fitted with safety perimeters, which prevents descent on contact with obstructions.
- Low-tension (24V) control box with up-down buttons. In addition the Guardian Series includes an electric circuit reset button in case the safety perimeter is actuated.
- New design external power pack equipped with a relief valve against overloading and a compensated flow valve for controlling lowering speed. The power pack is supplied with hoses 8' long.
- 115 voltage single phase standard on 1,100 lb., 2,200 lb. and 3,300 lb. capacity units. 230/460 voltage three phase is optional.
- Upper limit switch.
- Single acting cylinders with drainage system and check valve to stop the lift table lowering in case of hose burst.
- Safety clearance between scissors to prevent trapping during operations.
- Mechanical blocks for safe maintenance operations.
- Self-lubricating bushings on pivot points.
- Removable lifting eye(s) to facilitate handling and installation of the lift table.
- Motor 1 HP.

Floor Mount Power Unit



The floor mount power unit has the pump motor and tank on the plate frame. This is ideal for placing the power unit under a conveyor or a work bench or when other remote locations are required. Features 8' hoses, power cord and control cord. Three-button control box has 115 voltage single phase standard on 1,100 lb. and 2,200 lb. capacity units.

- Optional Loading Ramp Available



Loading Ramps

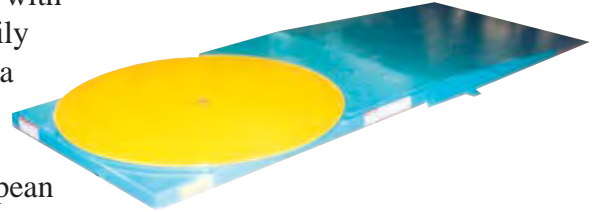


The Lift 'n Spin has all of the features of our standard low profile Guardian Series lift table with the added advantage of a built-in rotating top. The rotating top greatly enhances the operation of the lift table by reducing reach effort, or walk around, in order to access the load.

With a lowered height of only 4 1/4," the Lift 'n Spin can be loaded with a manual or electric pallet truck using the optional ramp. This is easily accomplished by the exclusive Auto-Transition Plate that provides a smooth transition from the ramp onto the rotating top.

The Guardian Series meets and exceeds both U.S. (ANSI) and European safety standards.

Standard features on all Guardian Lift Tables see page 16.



Auto-Transition Plate

The exclusive Auto-Transition Plate is a key feature of the Lift-N-Spin. This Auto-Transition Plate provides a smooth surface from the ramp onto the rotating top. Once the lift is raised 1/4" the Auto-Transition plate automatically lowers to allow the top to spin. When the table is fully lowered, the Auto-Transition Plate automatically raises again to provide a smooth surface to load the next pallet.



The Remote Power Unit features a 1 HP motor. This is a highly efficient and quiet pump motor combination. A three-button control box has 115-volt single phase and runs on a 20 amp circuit. 230/460 3 phase is optional.

Options:

Rotation brake in lowered position, Foot Controls, 48" Round Top

Remote Power Unit 115V

VERTICAL TRAVEL	MODEL	CAPACITY (LBS.)	PLATFORM SIZE	BASE FRAME	LOWERED HEIGHT	RAISED HEIGHT	LIFTSPEED (SECONDS)	MOTOR (HP)
30 3/4	LPBL-20-2-LS	2,000	39 1/2 X 55	29 X 52 3/4	4 1/4	35	18	1

STAINLESS STEEL USDA Approved Lifts

Ideal for use in wash down areas, these tables have a passivated sanitary finish and all dead end spaces have been eliminated. In addition to the many ergonomic benefits derived by using lift tables, these units also meet the complex requirements demanded by the food processing, chemical and pharmaceutical industries.

SXTLP-25



Model SXTLP-25 Ground Entry Lift Table

Featuring our
exclusive passivated
finish for in-place
wash down

- T304 Stainless steel construction
- Passivated finish for in-place wash down
- Platform size: 42" x 48"
- Base size: 48 1/4" x 54 3/4"
- Capacity: 2,500 lbs.
- Elevation Time: 20 seconds
- Descent Time: 8 seconds
- Self contained stainless steel enclosed power unit
- Actuation: Dual, low pressure hydraulic cylinders, white epoxy SST powder coated
- 110 volt AC TEFC Motor providing 1 HP output
- Foot up/down control standard

Model SXT-040-36 Scissor Lift Table

- T304 Stainless steel construction
- Passivated finish for in-place wash down
- Platform size: 42" x 48"
- Base size: 35 1/2" x 45"
- Capacity: 4,000 lbs.
- Elevation Time: 30 seconds
- Descent Time: 24 seconds
- Self contained stainless steel enclosed power unit
- Push button pendant
- Dual, low pressure hydraulic cylinders, white epoxy SST powder coated
- 110 volt AC TEFC Motor providing 1 HP output

Platform Raised Height: 36"

Platform Lowered Height: 9"

Options:

- Rotating Top
- Semi-Portable
- Foot Control
- Custom Sizes Available

Side Rail Height: 6"

Platform Raised Height: 37"

Platform Lowered Height: 1/2" w/beveled front edge

Pedestal Lowered Height: 35 1/2"

Pedestal Raised Height: 55"



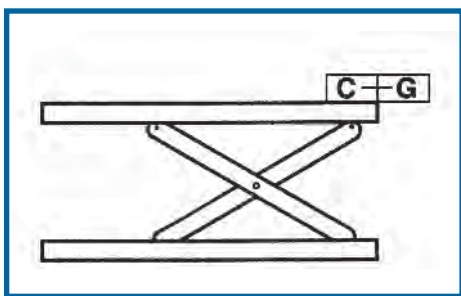
SXT-040-36

IMPORTANT!

LIFT TABLE INFORMATION

Max-Lift Pit or In-Floor Applications:

Tapered toe guards are required for any in-floor or pit applications. (For illustrations, refer to Options for Max-Lift tables on page 8). Tapered toe guards are also required for applications where there is a shear possibility such as a raised floor deck. The table top must be a minimum of 9" wider and longer than the standard top size. An electric perimeter safety bar may also be used for pit or in-floor applications. The top must be 4" wider and longer than the standard top to accommodate this feature.

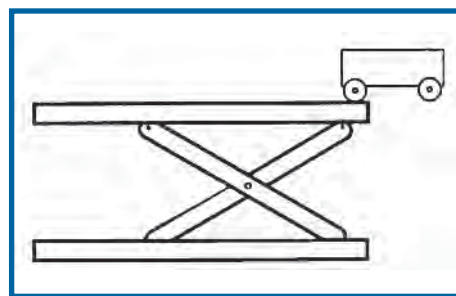


3,000 lb. Edge Load

Max-Lift Capacities:

Max-Lift table capacity is the static gross total weight that the table is to lift. This is based upon an evenly distributed load. The end or edge load capacity is the amount of load that can be put over the edge in the raised position. Oversize platform edge or side load capacity must be reduced by 2% for each inch of width or length over standard platform size. Rolling load (axle load) is 67% of edge load capacity.

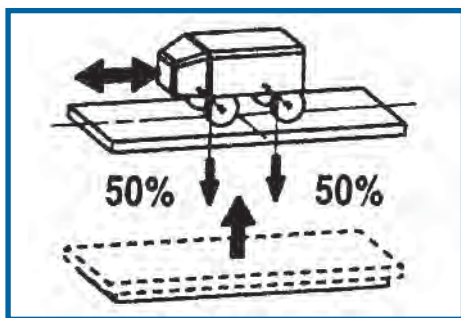
EXAMPLE: If edge load is 3,000 lbs., the rolling axle load is 2,010 lbs. (See illustrations.)



2,010 lb. Rolling Axle Load

Guardian Series Pit or In-Floor Applications:

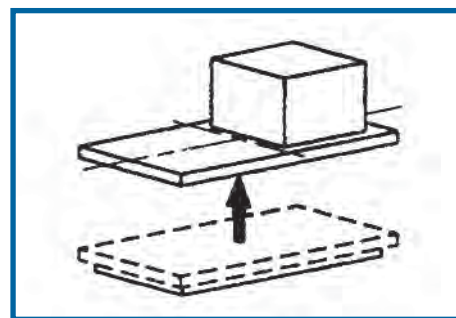
The Guardian Series has as standard a perimeter safety bar and can be used in above-floor or in-floor pit applications in their standard configurations. Note: Contact the factory for capacity and application requirements.



Rolling load* (50% per axle) along the longitudinal axis of the table.

Guardian Series Capacities:

Guardian Series lift table capacity is based upon evenly distributed loads. The table capacity is reduced by 50% for loads that are offset. The rolling loads also reduce capacity by 50%. (See illustrations.)

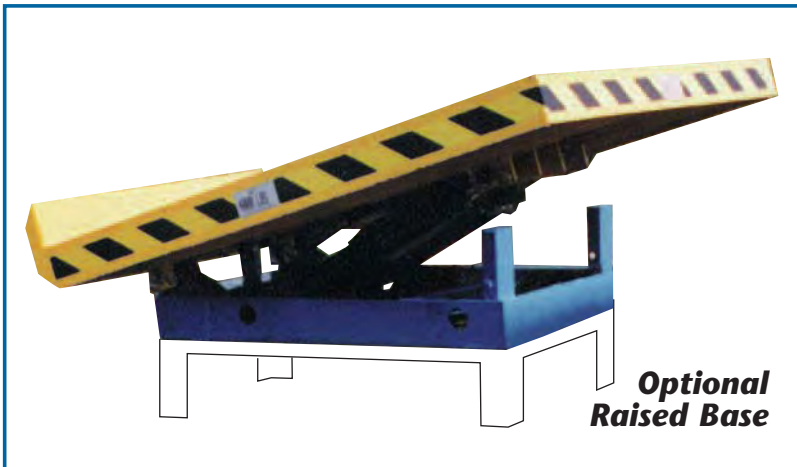


Capacity with static load distributed on 50% platform.

MAX-TILT / MAX-LIFT & TILT



Lift Products MAX-TILT and MAX-LIFT & TILT tables are designed for those applications where tilting or lift and tilting the load provides for improved access to the product.



Tables available with 45°, 60° or 90° tilt. Both series are electric hydraulic with the 45° models powered up and gravity down while the 60° and 90° models are powered both up and down with double acting cylinders. With capacities of 2,000 - 6,000 lbs., the MAX-series table can handle most applications.

1 1/2 hp motor. 115/230 volt single phases or 230/460 3 phase voltage. Motor is internally mounted on most models and externally mounted on table sizes with 72" wide base.

Push button magnetic back control box standard with 6' cord.

10' power cord standard (connector not included).

Hydraulic gear pump with check valve, solenoid valve, filter and velocity fuse standard.

Smooth steel deck with 4" high lip on hinge end.

High quality chrome plated cylinder.

Control box includes magnetic starter transformer, thermal overload and fuses.

Designed for surface mount or lift table mounting. Contact factory for special in floor requirements.

Powered up on 45°, 60° and 90° tilt. Gravity down on 45° and powered down on 60° and 90° tilt.

Tilt limit switch.

Color yellow top with blue frame.

A 30 amp dedicated circuit is required for 115 volt operation.

Consult factory for special electrical requirements.

OPTIONS:

Foot control switch.
Tapered toe guards for pit mount.
Lowering beeper.
Remote power unit.
Accordion bellows safety skirting.
Special color.
Adjustable tilt limit switch.
Raised base.

Specifications subject to change without notice.

MAX-TILT TABLES

MODEL	CAPACITY	STANDARD TABLE TOP	MAXIMUM TOP ***	BASE	LOWERED HEIGHT	TILT	UP SPEED	CYLINDERS	MOTOR
LPTT-20-45-1	2000 lbs	24 x 36	50 x 50	24 x 36	10"	45	16 sec	1	1.5 HP
LPTT-20-45-2	2000 lbs	32 x 36		24 x 36	10"	45	16 sec	1	1.5 HP
LPTT-20-45-3	2000 lbs	42 x 42		24 x 36	10"	45	16 sec	1	1.5 HP
LPTT-20-45-4	2000 lbs	48 x 48		24 x 36	10"	45	16 sec	1	1.5 HP
LPTT-40-45-1	4000 lbs	24 x 36	50 x 50	24 x 36	10"	45	19 sec	2	1.5 HP
LPTT-40-45-2	4000 lbs	32 x 36		24 x 36	10"	45	19 sec	2	1.5 HP
LPTT-40-45-3	4000 lbs	42 x 42		24 x 36	10"	45	19 sec	2	1.5 HP
LPTT-40-45-4	4000 lbs	48 x 48		24 x 36	10"	45	19 sec	2	1.5 HP
LPTT-60-45-1	6000 lbs	24 x 36	50 x 50	24 x 36	10"	45	24 sec	3	1.5 HP
LPTT-60-45-2	6000 lbs	32 x 36		24 x 36	10"	45	24 sec	3	1.5 HP
LPTT-60-45-3	6000 lbs	42 x 42		24 x 36	10"	45	24 sec	3	1.5 HP
LPTT-60-45-4	6000 lbs	48 x 48		24 x 36	10"	45	24 sec	3	1.5 HP
LPTT-20-90-1	2000 lbs	24 x 36	50 x 50	24 x 36	10"	90	20 sec	1	1.5 HP
LPTT-20-90-2	2000 lbs	32 x 36		24 x 36	10"	90	20 sec	1	1.5 HP
LPTT-20-90-3	2000 lbs	42 x 42		24 x 36	10"	90	20 sec	1	1.5 HP
LPTT-20-90-4	2000 lbs	48 x 48		24 x 36	10"	90	20 sec	1	1.5 HP
LPTT-40-90-1	4000 lbs	24 x 36	50 x 50	24 x 36	10"	90	28 sec	2	1.5 HP
LPTT-40-90-2	4000 lbs	32 x 36		24 x 36	10"	90	28 sec	2	1.5 HP
LPTT-40-90-3	4000 lbs	42 x 42		24 x 36	10"	90	28 sec	2	1.5 HP
LPTT-40-90-4	4000 lbs	48 x 48		24 x 36	10"	90	28 sec	2	1.5 HP
LPTT-60-90-1	6000 lbs	24 x 36	50 x 50	24 x 36	10"	90	48 sec	3	1.5 HP
LPTT-60-90-2	6000 lbs	32 x 36		24 x 36	10"	90	48 sec	3	1.5 HP
LPTT-60-90-3	6000 lbs	42 x 42		24 x 36	10"	90	48 sec	3	1.5 HP
LPTT-60-90-4	6000 lbs	48 x 48		24 x 36	10"	90	48 sec	3	1.5 HP

*****NOTE:** Standard top sizes available up to " x 72" contact factory.
 Custom sizes and designs contact factory.

MAX-LIFT & TILT 45°

MODEL	CAPACITY	PLATFORM		LOWERED HEIGHT	RAISED HEIGHT	UP SPEED		BASE SIZE	MOTOR
		STD	MAX			TILT	LIFT		
LPTTL-20-45-24	2000	24 x 36	48 x 60	17"	41"	16	10	24 x 36	1.5
LPTTL-20-45-36	2000	24 x 48	48 x 60	17"	53"	16	12	24 x 48	1.5
LPTTL-20-45-48	2000	25 x 64	48 x 64	17"	65"	16	25	25 x 64	1.5
LPTTL-40-45-24	4000	24 x 36	48 x 60	17"	41"	24	18	24 x 36	1.5
LPTTL-40-45-36	4000	24 x 48	48 x 60	17"	53"	24	19	24 x 48	1.5
LPTTL-40-45-48	4000	25 x 64	48 x 64	17"	65"	24	28	25 x 64	1.5
LPTTL-50-45-24	5000	24 x 36	48 x 60	17"	41"	26	20	24 x 36	1.5
LPTTL-50-45-36	5000	24 x 48	48 x 60	17"	53.3"	26	25	24 x 48	1.5
LPTTL-50-45-48	5000	25 x 64	48 x 64	17.3"	65.3"	26	42	25 x 64	1.5

MAX-LIFT & TILT 60°

LPTTL-20-60-24	2000	24 x 36	48 x 60	17"	41"	24	10	24 x 36	1.5
LPTTL-20-60-36	2000	24 x 48	48 x 60	17"	53"	24	12	24 x 48	1.5
LPTTL-20-60-48	2000	25 x 64	48 x 60	17"	65"	24	25	24 x 64	1.5
LPTTL-30-60-24	3000	24 x 36	48 x 60	17"	41.3"	42	18	24 x 36	1.5
LPTTL-30-60-36	3000	24 x 48	48 x 60	17"	53.3"	42	24	24 x 48	1.5
LPTTL-30-60-48	3000	25 x 64	48 x 60	17"	65.3"	42	34	24 x 64	1.5
LPTTL-40-60-24	4000	24 x 36	48 x 60	17"	41.3"	44	20	24 x 36	1.5
LPTTL-40-60-36	4000	24 x 48	48 x 60	17"	53.3"	44	25	24 x 48	1.5
LPTTL-40-60-48	4000	25 x 64	48 x 60	17 1/4"	65.3"	44	42	24 x 64	1.5

Other sizes available upon request - contact factory. Contact factory for 90° LIFT & TILT applications.



The Max-UP-Ender series is ideally suited for tipping loads up to 90 degrees. Available with capacities of 2,000 lbs to 10,000 lbs and a variety of standard platform sizes.

The Max-UP-Enders are also available custom built for those special handling requirements. Designs of open frame, V-block, split platform, and special sizes are just a few of our custom capabilities.

Model	Capacity (LBS)	Platform Size		Lowered Height
		STD	MAX	
LPTT-UP-20-90	2,000	24" x 36"	72" x 72"	10"
LPTT-UP-40-90	4,000	24" x 36"	72" x 72"	10"
LPTT-UP-60-90	6,000	24" x 36"	72" x 72"	10"
LPTT-UP-80-90	8,000	30" x 36"	72" x 72"	11"
LPTT-UP-100-90	10,000	30" x 36"	72" x 72"	11"

Standard Features

- 1-1/2 hp motor. 115/230 volt single phase or 230/460 three phase voltage
- A 30 amp dedicated circuit is required for 115 volt operation
- Motor is internally mounted on most models
- 10' power cord standard (connector not included)
- Hydraulic gear pump with check valve, solenoid valve, and filter standard
- Contact factory for special electrical requirements.
- High quality chrome plated cylinders
- One, two or three double acting cylinders are supplied based on capacity & table size
- Push button magnetic back control box standard with 10' cord
- Control box includes magnetic starter transformer, thermal overload and fuses
- Powered up and down 90 degree tilt
- Tilt limit switch
- Color: yellow top with blue frame

Designed for surface mount or lift table mounting.
 Contact factory for special in-floor requirements.

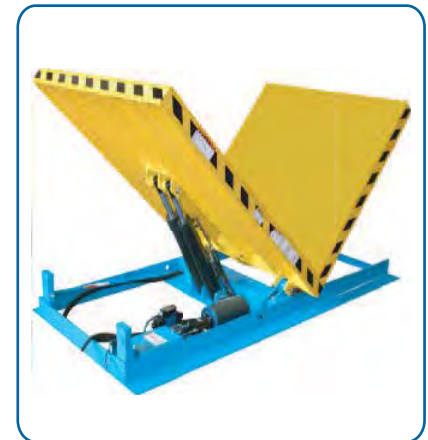
*Specifications subject to change without notice

Note: Base frame is approximately 6" less than platform width and 12" less than combined length of both platforms

Options:

- Foot control switch
- Lowering beeper
- Remote power unit
- Safety skirting
- Custom Colors
- Adjustable tilt limit switch
- Raised base

Contact Factory for custom options



MAX-UPENDER WITH CRADLE TOP

Ideal for upending metal coils or paper rolls. Shown here with split upper platform allowing shaft placement into load. Capacities from 2,000 to 6,000 lbs. with a variety of custom cradles and platform sizes.



Roll Cradle or Split Platform available



Custom top of various designs. Shown here heavy duty roller to interface with transfer car



MAX-UPENDER WITH CUSTOM PLATFORM

Shown with an open frame platform. This custom design allows operator access to the upended item for some assembly and inspection. Contact us with your special up-ending requirements.

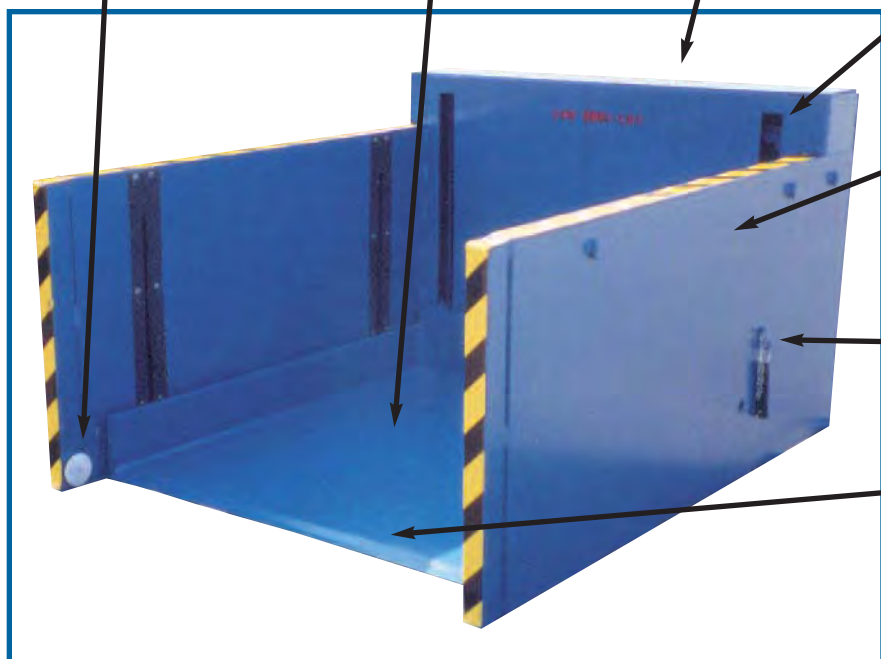
LEVEL-LIFTER

Ground Entry Lift Tables

Photo eye to interrupt lowering in the event of an obstruction.

Platform of 1/2" plate steel and unique multi-point lift offers minimal deflection.

Rear compartment houses a 1 1/2 HP motor, single stage cylinder, gear type pump, and a recessed 115 volt receptacle. Hydraulic velocity fuse is standard. Push button magnetic backed control box standard. Foot switch – optional.



Limit switch for controlling upward maximum travel.

Totally enclosed sides are only 2-1/2" wide. This eliminates excessive reaching for product and also acts as a barrier between the operator and moving platform.

Portability. Align platform and pin through to convert platform into a support for pallet jack.

Lip is beveled into platform a full 3" to allow for smooth entry even with a hand pallet truck.

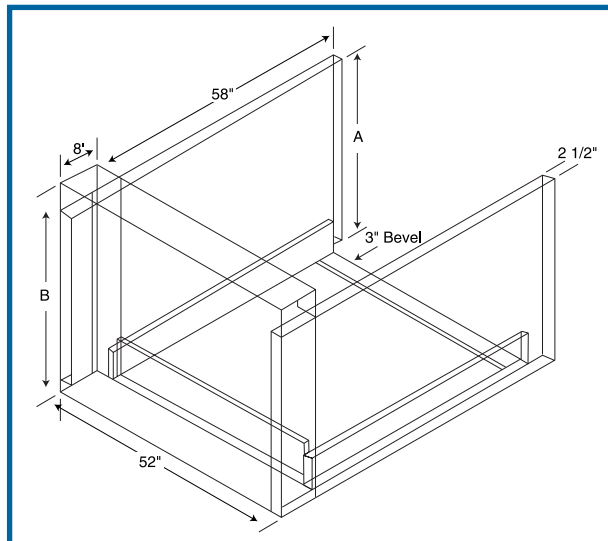
Lift Products, Inc. products are covered by Patents Pending and other rights reserved. Specification subject to change without notice.

Capacity: 2500 lbs. to 4000 lbs.
 Useable Platform: 44" x 50"
 Lowered: 1/2"

		A	B
Lift Height:	24"	31"	37"
	30"	37"	43"

Special Options Available

- Stainless Steel Deck
- DuPont Thermoplastic Polyethylene™ a FDA-Approved Finish
- Custom Sizes Available
- Foot Switch Control
- Photo-Eye Bypass Switch



Loads can be adjusted to individual comfort level through the use of standard push button or optional foot switch control. Narrow sides allow easy access for load positioning.



Fully-raised height of 24" or 30" allows for convenient work height.



Lowered height of 1/2" maximizes accessibility to top level of load.

Loading or unloading, the Level-Lifter offers a smooth transition, and is ideal for use with a powered or hand pallet truck.

Level Lifter - Ground Entry Lift Table			
Usable Platform: 44" x 50"			
MODEL	CAPACITY lbs.	RAISED HEIGHT	SHIP WT. lbs.
LL-24-25-4450	2,500	24"	2,040
LL-24-30-4450	3,000	24"	2,090
LL-24-35-4450	3,500	24"	2,140
LL-24-40-4450	4,000	24"	2,190
LL-30-25-4450	2,500	30"	2,340
LL-30-30-4450	3,000	30"	2,390
LL-30-35-4450	3,500	30"	2,440
LL-30-40-4450	4,000	30"	2,490



The Level-Lifter is portable too! Raise the platform to pin height, insert pins, and reposition.

Printer Edition LEVEL-LIFTER

with Optional Adjustable Corner Board

- Available in either an adjustable or rigid version.
- Perfect for squaring loads.
- Keeps loads stable and rigid.
- Custom sizes available.



Moto-Cart



1,500 lb. Capacity Electric Platform

The Moto-Cart is a battery operated self-propelled electric platform truck. It can be used almost anywhere equipment and supplies have to be moved. This unique cart increases productivity and reduces injuries caused by pushing and pulling ordinary non-powered carts. This flexible vehicle can travel over carpeting, tile, or any hard surface, go in and out of elevators and handle 1,500 lbs. on level surface and 1,000 lbs. on inclines up to 6 degrees.



Office Deliveries shown with mail room basket assembly

Many Uses In:

- Office Buildings
- Parts Departments
- Tool Rooms
- Hotels / Casinos
- Hospitals
- Universities / Schools
- Manufacturing
- Anywhere materials need to be moved



Cart with Top Shelf

Special Applications

We have a variety of cart designs for many applications. Shown here are a few examples. We can also customize carts for your application. Contact us with your specific requirements.

Mailroom Cart



Mail Room Carts
 Cart features removable Mailroom Rack and Basket Assembly (only available on MC-10-S)

Custom Order Pick Cart



Custom Order Picking Carts
 Cart features flip up middle shelf for easy access to lower shelf.

Optional Cylinder Tank Rack



Moto-Cart with Optional Oxygen Cylinder Rack Top
 holds 28 C, D or E size cylinders. Polyethylene coated to protect cylinders and prevent noise. Designed as an option to our standard MC-10-S unit.

Safety Features:

- Automatic Braking (Dynamic Regenerative)
- Automatic Parking Brake (Electro-mechanical)
- Emergency Stop Switch
- Released Brake Drive Inhibit
(Unit will not operate when parking brake is off)
- Charge Mode Drive Inhibit
(Unit will not operate when plugged in to charge)
- Throttle Fault Inhibit
(Unit will not operate if throttle is faulty)
- Splash Proof Electronics



New Roller Grip Controls:

- New Roller Grip Controls
- Roller (red) Speed Controls for Variable Speed Forward or Reverse
- Rabbit / Turtle Switch for Top Speed Control
- Battery Gauge
- Emergency Stop Bump Switch (that resets with key switch)
- Horn and Key Switch

Three Sizes Available:

Model	Usable Platform Size	Overall Size
MC-10-S	25" x 41.5"	27" x 50"
MC-10-M	25" x 48"	27" x 56.5"
MC-10-L	25" x 60"	27" x 68.5"

Deck Height: 11-1/2" from floor

Overall Height to top of handle: 42-1/2"

The Moto-Cart has a capacity of 1,500 lbs. on a level surface and can handle 1,000 lbs. on a 6 degree incline. It can travel up to 15 miles on a charge.

Standard Features:

- Heavy Duty 24-Volt Electronics and Drive Motor
- Articulated Transaxle Drive
- Center Wheel Drive for Easy Maneuvering
- On-board Battery Charger
(Uses Standard Grounded Outlet 120V 60Hz)
- Free-Wheel Mode
(When key is in off position and brake is released)
- Two Heavy Duty Maintenance-Free Batteries 33 Amps Each
- Anti-Skid Deck Mat
- Bumper Molding
- Color White
- Maximum Speed 2.6 mph

Moto-Cart HD Series

The Moto-Cart HD series is for those applications where a larger cart is required. Available in two capacities, 1,500 lb and 2,000 lb. The Moto-Cart HD has a heavier drive transaxle and upgraded controls. 6" x 2" swivel casters (std on both models). Other operational features are the same as on the standard Moto-Cart.



Model	Capacity	Platform Size	Overall Size	Deck Height	Weight
MC2-HD15	1,500 lb	36" x 48"	36" x 56.5"	14"	400 lbs
MC2-HD20	2,000 lb	36" x 48"	36" x 56.6"	14"	425 lbs

Multi-Shelf Cart

Available Sizes:

24" x 36"

24" x 48"

24" x 54"

All 60" High

Contact Office for

Further Information



Options:

- Solid fiberglass overlay decks
- Side and back panels
- 2" or 3" shelf ledges

Model	Shelf Size	Overall Size
MC-10-S-WS	24" x 36"	27" x 50"
MC-10-L-WS-1	24" x 48"	27" x 68.5"
MC-10-L-WS-2	24" x 54"	27" x 68.5"

Overall Height: 74.5"

Moto-Cart Jr.

The Moto-Cart Jr. is an economical solution to electric cart applications. Designed as a more basic model than the standard Moto-Cart, this cart still offers transaxle drive and advanced roller grip controls. The 4-Wheel Jr. comes in 4 models and has a 1,100 lb capacity. The maintenance free batteries are rechargeable with an on board charger that runs on standard 115 voltage. Also available is the tote rack assembly. It can carry two large totes (optional) with each opening measuring 8 3/8" W x 21.5" L x 7.5" D, there is also an additional area on the lower platform for large parcels. The two lift models, both manual and electric lift, are ideal for placing the load at the right ergonomic height.

Standard Features:

- Front Wheel Transaxle Drive
- Automatic Breaking
- 24 Volt Electrical System
- Curtis Controls
- Emergency Stop Bump Switch
- Backup Beeper
- Key Switch
- Battery Gauge
- Roller Grip Variable Speed (Control Both Forward & Reverse)
- Adjustable Top Speed (Limit Control)
- On Board UL-Charger
- Free Wheel Mode
- Pneumatic Non-Marking Rubber Drive Wheels
- Poly Casters
- (2) 33 AMP Maintenance Free Batteries
- Full Perimeter Bumper
- Color: White with Black Deck Mat

Options:

- Wire Shelving
- Tote Rack Assembly
- Totes
- Customization



Moto-Cart Jr. JRMC-11



Optional Tote Rack Assembly



Manual Foot Pump Lift



Electric Lift

Moto-Cart Lift Models

Series	Capacity (LBS)	Drive Type	Lift Type	Vertical Travel	Height		Usable Platform	Weight
					Lower	Upper		
MCJR-LT	1,000	Electric	Manual	25"	16"	41"	23" x 39.4"	498
MCJR-ELT	1,000	Electric	Electric	45.5"	18.5"	64"	23" x 43"	567

Moto-Cart Platform Models

Model	Capacity	Usable Deck	Overall Size	Deck	Max	Max	Weight
JRMC-11	1,100	24" x 45.5"	25" x 52.5" x 43"H	12.5"	8°	2.8 MPH	395
JRMC-11-W	1,100	34" x 45.5"	25" x 52.5" x 43"H	12.5"	8°	2.8 MPH	430

Moto-Tugger Electric Tow Cart



When it comes to pulling single or multiple carts, the **Moto-Tugger** provides an easy to operate solution. This highly maneuverable and easy to use tugger features solid state variable speed control, regenerative and automatic braking. The Moto-Tugger is equipped with an onboard battery and charger pack. This tugger can pull up to 1,500 lbs. and has several easy to install tugger to cart and cart to cart hitch arrangements. The Moto-Tugger also features a *Quick Hitch Lift System* that can hook up and disengage in a matter of seconds by a push of a button.

Moto-Tugger General Specifications

Model: MC-TG-1
 Battery Gauge
 Tow Capacity: 1,500 lbs.
 Built-In Battery Charger
 Drive: Transaxle
 Horn, Key Switch
 Motor: 24 Volt DC
 Lift Button, Throttle, 2 Switches
 Lift Motor: 24 Volt DC
 Splash Proof Electronics
 Batteries: (2) 22 AMP
 8" Non Marking Wheels
 Battery Type: Sealed Lead / Acid
 Size: 24 X 18.75 X 41.6
 125 amp Solid State Control
 Weight: 150 lbs.

Moto-Tugger



Moto-Tugger Pulling Multiple Carts



Moto-Tugger Pulling Single Cart



Quick Hitch Lift System

Hitch Arrangements For Moto-Tugger To Cart

There are various hitches that can be welded or clamped to existing carts. The slide clamp tubes fit underneath the cart to provide receiver tube at both ends of cart. *Model 4752* is for carts 40" - 55" long. *Model 4753* is for carts 56" - 76" long. Custom tubes are also available.

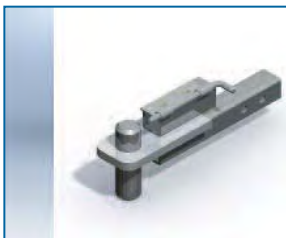
The Male Hitches – The Male Hitch end slides into the receive tube and has a safety latch for towing. *Model 4750* is for carts with 5" or 6" casters and *Model 4755* is for carts with 6" or 8" casters.

Cart to Cart Hitch End – Model 4754 is used between carts when pulling multiple carts.

Moto- Cart Receiver Tube – This Receiver (*4756*) is designed to fit our standard Moto-Cart Models *MC-105*, *MC-10M* and *MC-10L*, allowing the Moto-Cart to become a tugger as well as a platform cart.

**Must order hitch 4755 to tow carts.

Contact our factory for assistance determining the proper hitch for your specific requirements. Also, visit www.liftproducts.com for more Moto-Cart information.



4750



4752 & 4753 Receiver Tube



4754



4755



4756



MAX-XL Heavy Lift



Made in the USA

The new Max-XL Lift Table is designed for heavy lift requirements. Featuring:

- 3 HP Heavy Duty Motor (internal)
- 5" lift cylinders with Teflon Seals
- 1-1/2" x 8" solid scissor arms
- Magnetic backed push button control on 10 ft cord
- Built in safety bars



Model	Capacity	Edge Load	Platform Sizes		Base Frame	Lower	Raised	Speed	# of Cylinder
			STD	MAX					
XLPT-080-36	8,000	7,000	36 x 48	48 x 72	36 x 48	9.5	44	29 sec	2
XLPT-100-36	10,000	7,000	36 x 48	48 x 72	36 x 48	9.5	44	44 sec	3

Internally mounted 3 hp. 115/230V-1-60 or 230/460-3-60 intermittent duty TENV super torque motor.

Specify voltage.

115V operating control voltage.

NEMA constant pressure. Magnet backed up-down push button control station with 10' straight or coiled cord.

NEMA - I prewired controls and electrical connectors. Control box contains contactor, control transformer, thermal overload and fuse.

All controller components meet UL and/or CSA specifications.

Cylinders with internal stops.

10 ft. power cord. (connector not included)

Hard, chrome plated, polished shafting hydraulic cylinder piston rods.

Surfaces degreased, descaled and finished with Safety Yellow and Blue enamel.

Smooth steel top with yellow and black safety stripes.

S.A.E. hoses and fittings.

Integral safety restraint maintenance bars.

Internal gear pump with check valve, relief valve, solenoid valve.

Includes hydraulic oil and filter.

Limited Warranty

90 day repair or replacement on total product. 90 days on electrical components, except motors. 5 years or 100,000 cycles on bearings. 5 years on structural.

Specifications are subject to change without notice. Consult your dealer for current information.

Lift Products, Inc. products are covered by Patents Pending and other rights reserved.

OPTIONS:

- Foot control switch with a 10' cord.
- Accordion Skirting or Roller Curtain Skirting.
- Tapered Toe Guards for Pit Mounting.
- Rotating Top.
- Casters or Flanged Wheels
- Semi-live with Jack Handle.
- Special Controls.
- All Stainless Steel Top
- Perimeter Safety Bar
- Other Options Available

Contact Factory for Special Requirements.

LIFT PRODUCTS, INC.

PO Box 349

Elm Grove, Wisconsin 53122-0349

262-521-5720 • FAX 262-521-5725

TOLL FREE 877-LIFTPRO (877-543-8776)

www.liftproducts.com • lpi@liftproducts.com

Distributed by: