



Professional Lift Equipment Catalog





Contents

In-Line Bottle Jacks	3	Crane Jacks	22
Side Pump Bottle Jacks	4	Bead Breaker	23
Air Actuated Bottle Jacks	5	Shop Presses with Bottle Jacks	24
Toe Jacks	6	25 Ton Shop Press	24
Jack Pad	7	Press Adaptor Kits	25
Service Jacks	8	Engine Cranes	26
Aluminum Jack	9	Engine Stands	27
Low Profile Service Jack	10	Self-Rising Jack Stands	28
Service Jacks (two piece handle)	11	Ratchet Style Jack Stands	29
Service Jack Combo	11	Pin Style Jack Stands	29
3 Ton Service Jack	12	Auxiliary Stands & High Reach Supplementary Stand	30
2 Ton Service Jack	12	Truck Ramps	30
Long Chassis Service Jacks	13	Brake Drum Handler	31
Air Actuated Long Chassis Service Jacks	14	Wheel Dollies	31
Single Stage Truck Jacks	15	300 Lbs. Tire Cart	32
10 Ton Air Jack	16	Engine Transverse Bar with Arm Support	32
Dual Stage Truck Jack	16	Bone Creepers	33
Transmission Jacks	17	Low Profile Creepers	34
Air Actuated Transmission Jacks	18	Toolbox Creeper	35
Floor Style Transmission Jacks	19	Z Creeper	35
Clutch Jack	20	2 in 1 Stool	36
Forklift Jacks	20	Omega Racing Chair	37
Body Repair Kits	21	Wheel Arm™	38
Air Actuated Foot Pumps	22	Warranty	39



In-Line Bottle Jacks

Heat-treated extension screw allows low pick-up height adjustment and maximum lift height

A built-in by-pass device protects hydraulic system from over pumping damage, U.S. Patent No. 5,946,912

In-line pump allows for easy jack positioning under load

A wide, rugged base provides stability and strength

Unique cross-type forged release valve assures positive control



10128
12 Ton Capacity



10208
20 Ton Capacity



10120
12 Ton Capacity

Model	Capacity	Minimum Height	Maximum Height	Hydraulic Lifting	Extension Screw	Base Size Length	Base Size Width	G.W.
10120	12 Ton	9-1/2"	18-5/8"	6"	3-1/8"	7"	4-1/4"	19.5 Lbs.
10128		6"	10-3/4"	3-1/8"	1-5/8"			15 Lbs.
10200	20 Ton	9-1/2"	18-5/8"	6"	3-1/8"	7-3/4"	5"	27 Lbs.
10208		6-1/2"	11-1/4"	3-1/8"	1-5/8"			22 Lbs.



Side Pump Bottle Jacks



Machined and polished cylinders with die-cut threads provide non-abrasive leak-free, durable performance

Fabricated from hard-cast steel with heat-treated critical stress areas

Hydraulic system is protected from internal damage by a by-pass mechanism U.S. Patent No. 5,946,912

Unique cross-type forged release valve assures positive load control

Overload protection



Model	Capacity	Minimum Height	Maximum Height	Hydraulic Lifting	Extension Screw	Base Size Length	Base Size Width	G.W.
10025B	2 Ton	7-1/4"	13-3/4"	4-3/8"	2-1/8"	3-7/8"	3-5/8"	7 Lbs.
10045B	4 Ton	8-1/8"	15-1/2"	5"	2-3/8"	4-1/4"	3-7/8"	9 Lbs.
10065B	6 Ton	8-1/2"	16-7/8"	5-1/4"	3-1/8"	4-1/2"	4"	12 Lbs.
10085B	8 Ton	8-7/8"	17-5/8"	6"	2-3/4"	4-3/4"	4-5/8"	14 Lbs.
10125B	12 Ton	9-1/2"	18-5/8"	6"	3-1/8"	6"	5-3/8"	18 Lbs.
10129B		6"	10-5/8"	3"	1-5/8"			14 Lbs.
10205B	20 Ton	9-1/2"	18-5/8"	6"	3-1/8"	6-3/8"	5-7/8"	28 Lbs.
10209B		6-1/2"	11-1/4"	3-1/8"	1-5/8"			21 Lbs.
10300	30 Ton	11"	18"	7"	N/A	8-1/8"	6-7/8"	56 Lbs.
10500	50 Ton	9-1/2"	13-7/8"	4-3/8"		10-3/4"	7-5/8"	103.5 Lbs.



Air Actuated Bottle Jacks

All air bottle jacks have chrome plated rams

Effortless air operation will greatly reduce operator fatigue and speed up the efficiency of garage work

U.S. Patent No. 5,946,912, a built-in by-pass device protects hydraulic system from over pumping damage

A compact yet powerful Air Turbo Motor U.S. Patent No. 6,012,377 is equipped to raise the load to the desired height efficiently, effortlessly, and safely

18204C
20 Ton Capacity

Versatile "Quick Connector" design provides for easy removal of air hose from air motor allowing compact storage or remote operation

18204C is made with welded construction which eliminates contaminants from entering hydraulic system and provides leak free operation.

18126C & 18206C
Equipped with external return springs.



18206C
20 Ton Capacity

18302C
30 Ton Capacity

18502
50 Ton Capacity

18992
100 Ton Capacity

Model	Capacity	Minimum Height	Maximum Height	Hydraulic Lifting	Extension. Screw	Base Size Length	Base Size Width	G.W.
18126C	12 Ton	9-5/8"	18-7/8"	3-1/8"	6"	8-1/8"	5-7/8"	27 Lbs.
18124C	12 Ton	9-1/2"	18-1/2"	5-1/2"	3-1/2"	7-7/8"	6-1/4"	37 Lbs.
18206C	20 Ton	9-5/8"	18-7/8"	3-1/8"	6"	9"	6-3/4"	37 Lbs.
18204C		9-3/4"	18-3/4"	5-1/8"	3-7/8"	8-1/2"	7-1/8"	37 Lbs.
18209		8-1/8"	15-1/2"	4"	3-3/8"	8-1/2"	7-1/4"	37 Lbs.
18302C	30 Ton	11"	18-1/8"	7-1/8"	N/A	10-1/4"	8-1/4"	63 Lbs.
18502	50 Ton	12"	19"	7"		10-7/8"	7-3/8"	134.5 Lbs.
18992	100 Ton	12"	18-1/8"	6-1/8"		12-5/8"	9-3/8"	220.5 Lbs.

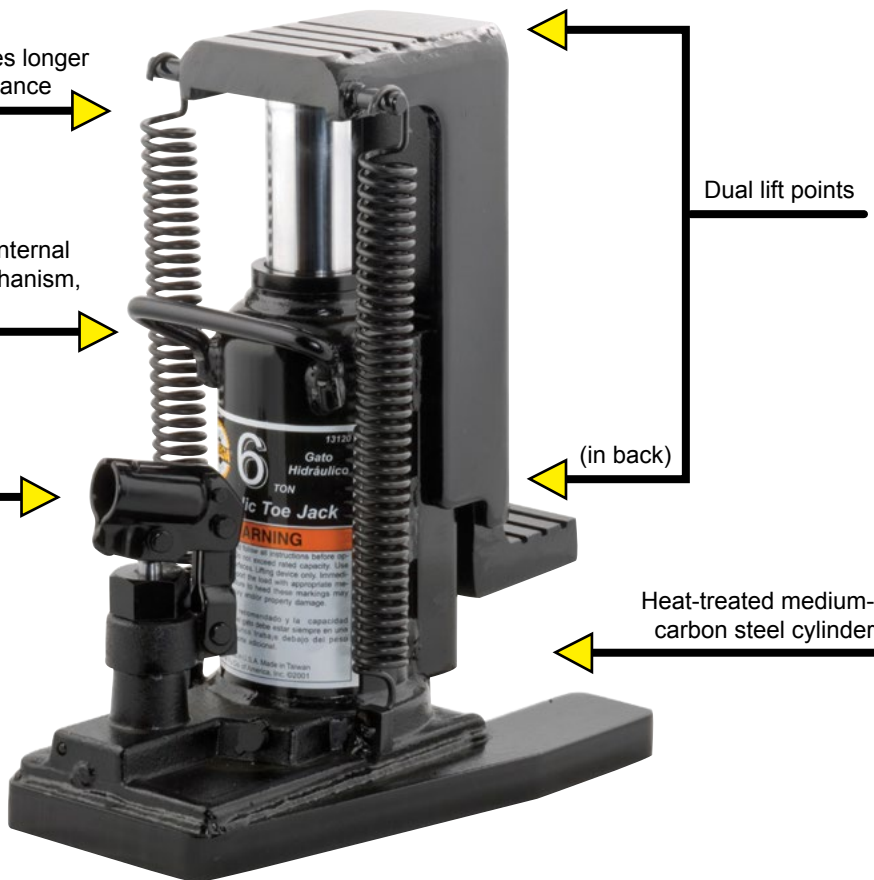


Toe Jacks

Chrome plated ram guarantees longer seal life and optimum performance

Hydraulic system is protected from internal damage by a patented by-pass mechanism, U.S. Patent No. 5,946,912

Rotating pumping socket for multi-directional use



13120
6 Ton Capacity



13200
10 Ton Capacity

Model	Capacity	Minimum Toe Height	Maximum Toe Height	Minimum Head Height	Maximum Head Height	Hydraulic Lifting	Base Size Length	Base Size Width	G.W.
13120	6 Ton	7/8"	6"	10-1/2"	15-5/8"	5-1/8"	11"	7-1/2"	57.5 Lbs.
13200	10 Ton	1-1/8"	6-1/4"	11"	16-1/8"		7-1/2"	9-1/4"	87 Lbs.



Jack Pad

Provides stable surface for bottle and air bottle jacks

20 ton capacity

Lightweight

Non-skid surface



Model	Capacity	Dimensions (L X H X W)	G.W.
90020	20 Ton	12" X 12" X 1"	5 Lbs.



Service Jacks

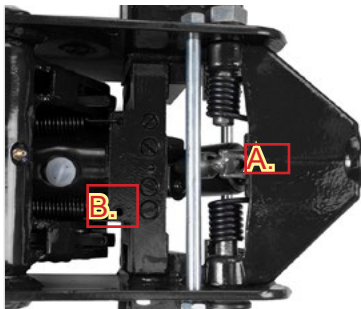
After the first pump reaches the lifting point, the jack continues with extraordinary lifting speed to raise the load to the desired height

Innovative Magic Lift design offers a quick lift for professional performance, U.S. Patent No. 6,199,379

Built-in by-pass device protects hydraulic system from over pumping damage U.S. Patent No. 5,946,912

Rolled side frame adds strength and rigidity to reduce twisting

Heavy gauge construction with rugged universal joint release valve



- A. Universal joint release mechanism provides precision control of load descent in any handle position
- B. Exclusive designed breather plug eliminates air in the hydraulic system, optimizing jack performance, U.S. Patent No. 7,194,857



Model	Capacity	Minimum Height	Maximum Height	Handle Length	Saddle Diameter	Jack Size Length	Jack Size Width	Jack Size Height	G.W.
27025	2-1/2 Ton	4"	20-1/4"	49-7/8"	5-1/2"	29-3/8"	14-7/8"	7-1/4"	96.5 Lbs.
27026*			90 Lbs.						
27035	3-1/2 Ton	4"	21-5/8"	49-7/8"	4-3/4"	30-7/8"	14-7/8"	7-1/4"	106.5Lbs.
27036*			100 Lbs.						

*one piece handle



Aluminum Jack

Low pickup height for easy access for low profile performance

Aluminum handle provides strength when pumping



Side frame handles allow for easy lifting and carrying

All aluminum structure provides strength and stability

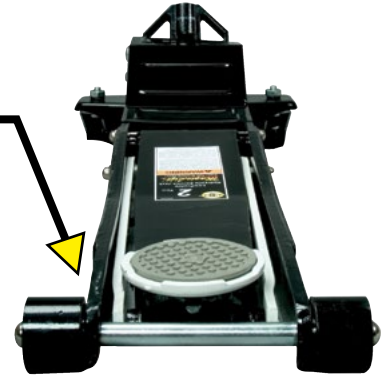
Model	Capacity	Minimum Height	Maximum Height	Saddle Diameter	Jack Size Length	Jack Size Width	Jack Size Height
26022A	2 Ton	3-1/2"	17-7/8"	4-1/4"	24-3/4"	11-5/8"	9-1/4"



Low Profile Service Jack



2-1/2" Low-profile design for maximum access which fits easily and safely under vehicle



Innovative Magic Lift design offers a quick lift for professional performance, U.S. Patent No. 6,199,379



Universal joint release mechanism provides precision control of load descent in any handle position

Extra long low side frames designed for long reach under the car chassis

Wide stance and low center of gravity provides optimum stability under load stress

A built-in by-pass device protects hydraulic system from over pumping damage, U.S. Patent No. 5,946,912

Model	Capacity	Minimum Height	Maximum Height	Handle Length	Saddle Diameter	Jack Size Length	Jack Size Width	G. W.
29023B	2 Ton	2-1/2"	20"	52"	4-7/8"	42-1/2"	13-3/4"	122 Lbs.



Innovative Magic Lift design offers a quick lift for professional performance, U.S. Patent No. 6,199,379



Service Jack

A built-in by-pass device protects hydraulic system from over pumping damage, U.S. Patent No. 5,946,912

Heavy gauge side frames resist twisting

HANDLE



The Handle connection is specially reinforced to be as firm as the one piece handle

Model	Capacity	Minimum Height	Maximum Height	Saddle Diameter	Jack Size Length	Jack Size Width	Jack Size Height	G.W.
25030B	3 Ton	5-3/4"	20"	5-1/2"	27-1/2"	13-3/8"	6-3/8"	87 Lbs.
29037	3-1/2 Ton	5-1/2"	22"	4"	30.12"	15.75"	6.9"	89.1 Lbs.

Innovative Magic Lift design offers a quick lift for professional performance, U.S. Patent No. 6,199,379



Service Jack Combo

Packed in one box for easy storage and delivery

A built-in by-pass device protects hydraulic system from over pumping damage, U.S. Patent No. 5,946,912



Wide solid stance for extra stability

Steel frame construction for added strength

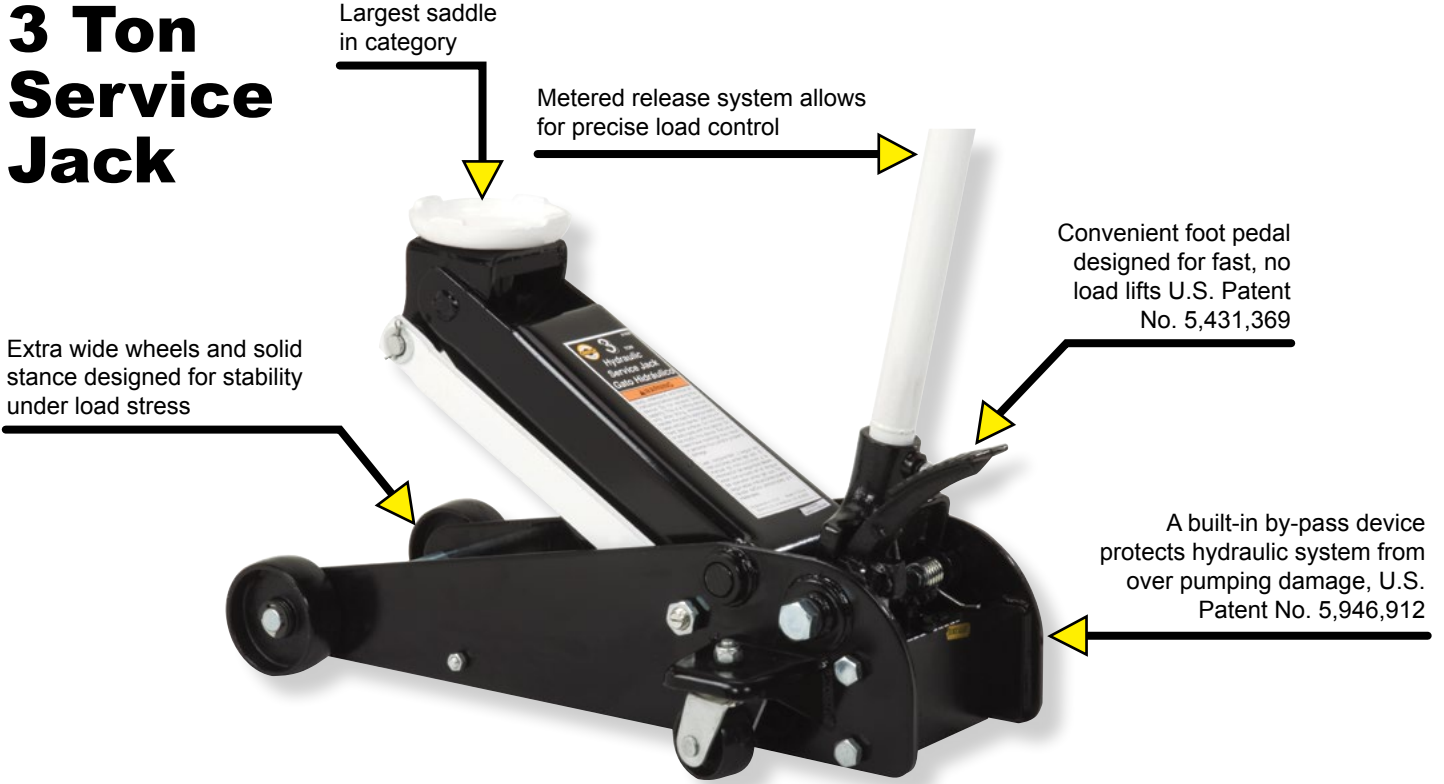


Model	Capacity (per pair)	Minimum Height	Maximum Height	Saddle Size	Base Size (L X W)	G.W. (pair)
25033 Jack Stands	3 Ton	11-1/2"	17"	3-1/2" X 1"	6-3/4" X 7-3/4"	16 Lbs.

Model	Capacity	Minimum Height	Maximum Height	Handle Length	Saddle Diameter	Jack Size Length	Jack Size Width	Jack Size Height	G.W.
25033 Service Jack	3 Ton	5-1/4"	20-7/8"	42-1/8"	5"	27-1/8"	13-3/8"	6-3/4"	98 Lbs.

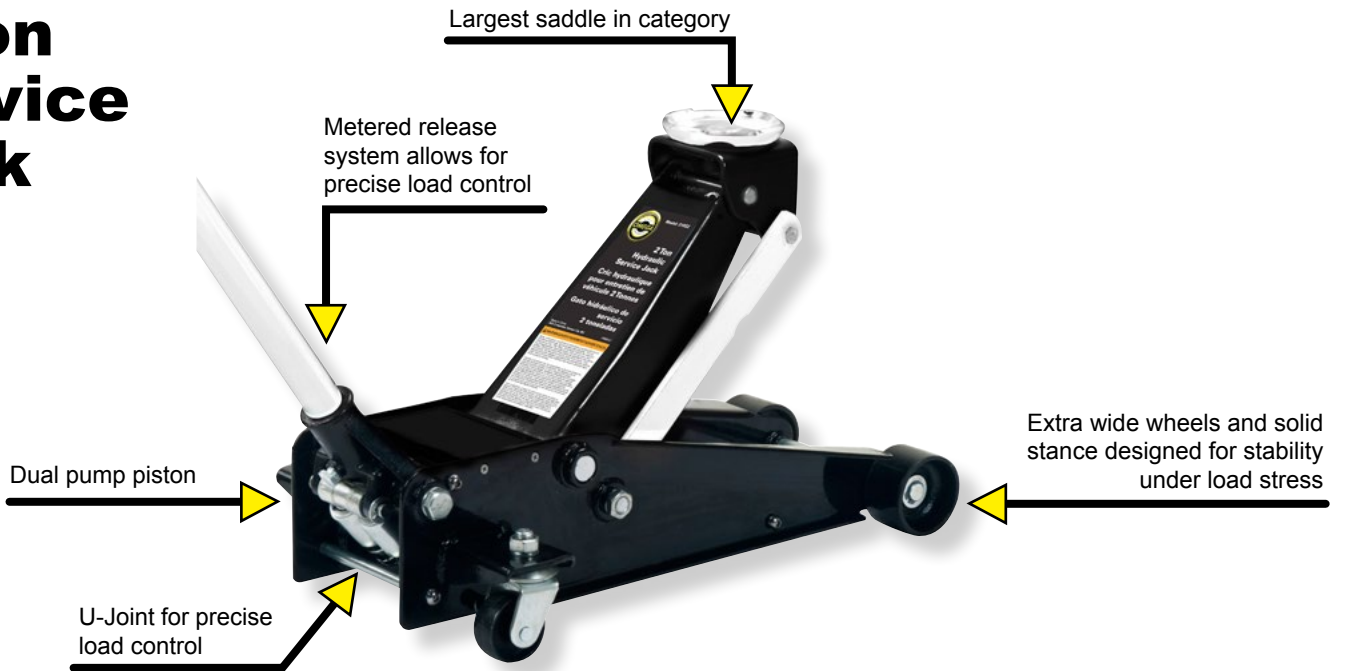


3 Ton Service Jack



Model	Capacity	Minimum Height	Maximum Height	Handle Length	Saddle Diameter	Jack Size Length	Jack Size Width	Jack Size Height	G.W.
21030B	3 Ton	5-1/4"	19"	42-1/8"	5"	27-1/2"	13-3/8"	6-3/8"	87 Lbs.

2 Ton Service Jack



Model	Capacity	Minimum Height	Maximum Height	Handle Length	Saddle Diameter	Jack Size Length	Jack Size Width	Jack Size Height	G.W.
21022	2 Ton	5-1/2"	18-1/4"	39-3/8"	5"	27"	13-1/2"	6-1/4"	72.6 Lbs.



Long Chassis Service Jacks



Convenient foot pedal designed for fast, no load lifts.

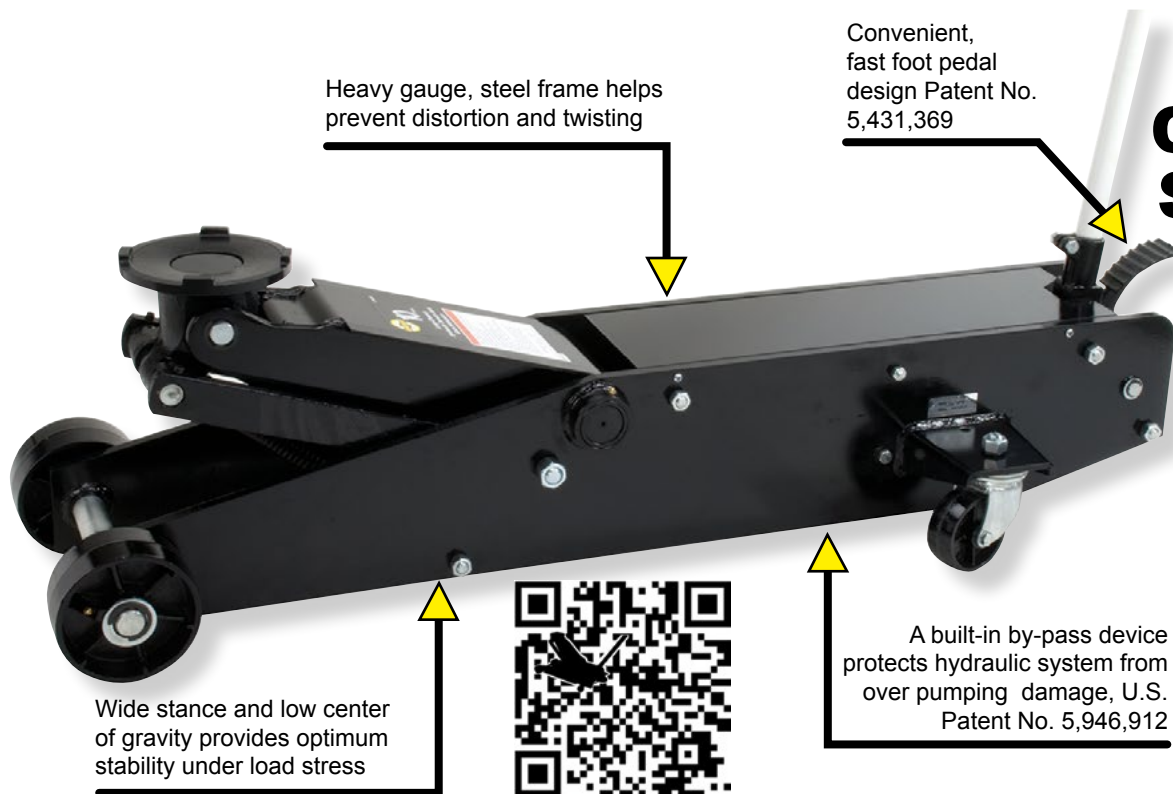
Safety by-pass and over-load systems protect hydraulics, U.S. Patent No. 5,946,912

Heavy gauge, steel frame helps prevent distortion and twisting

Innovative Magic Lift™ design offers a quick lift for professional performance, U.S. Patent No. 6,199,379

Model	Capacity	Minimum Height	Maximum Height	Handle Length	Saddle Diameter	Jack Size Length	Jack Size Width	Jack Size Height	G.W.
25057	5 Ton	6-1/2"	22-1/4"	40"	6-1/2"	52-1/2"	17-1/8"	7-1/4"	201 Lbs.
25107	10 Ton	6-7/8"	27"	45-7/8"	6-1/2"	55-7/8"	19-5/8"	9-5/8"	341 Lbs.

Long Chassis Service Jacks



Heavy gauge, steel frame helps prevent distortion and twisting

Convenient, fast foot pedal design Patent No. 5,431,369

Wide stance and low center of gravity provides optimum stability under load stress



A built-in by-pass device protects hydraulic system from over pumping damage, U.S. Patent No. 5,946,912

Model	Capacity	Minimum Height	Maximum Height	Handle Length	Saddle Diameter	Jack Size Length	Jack Size Width	Jack Size Height	G.W.
22050C	5 Ton	5-3/8"	27"	40-5/8"	6-1/2"	51-7/8"	17"	7-5/8"	233 Lbs.
22100C	10 Ton				7-3/8"	54-3/4"	20"	12-3/4"	427 Lbs.



Air Actuated Long Chassis Service Jacks

Uses Standard Shop Air! [110-175 PSI pressure]

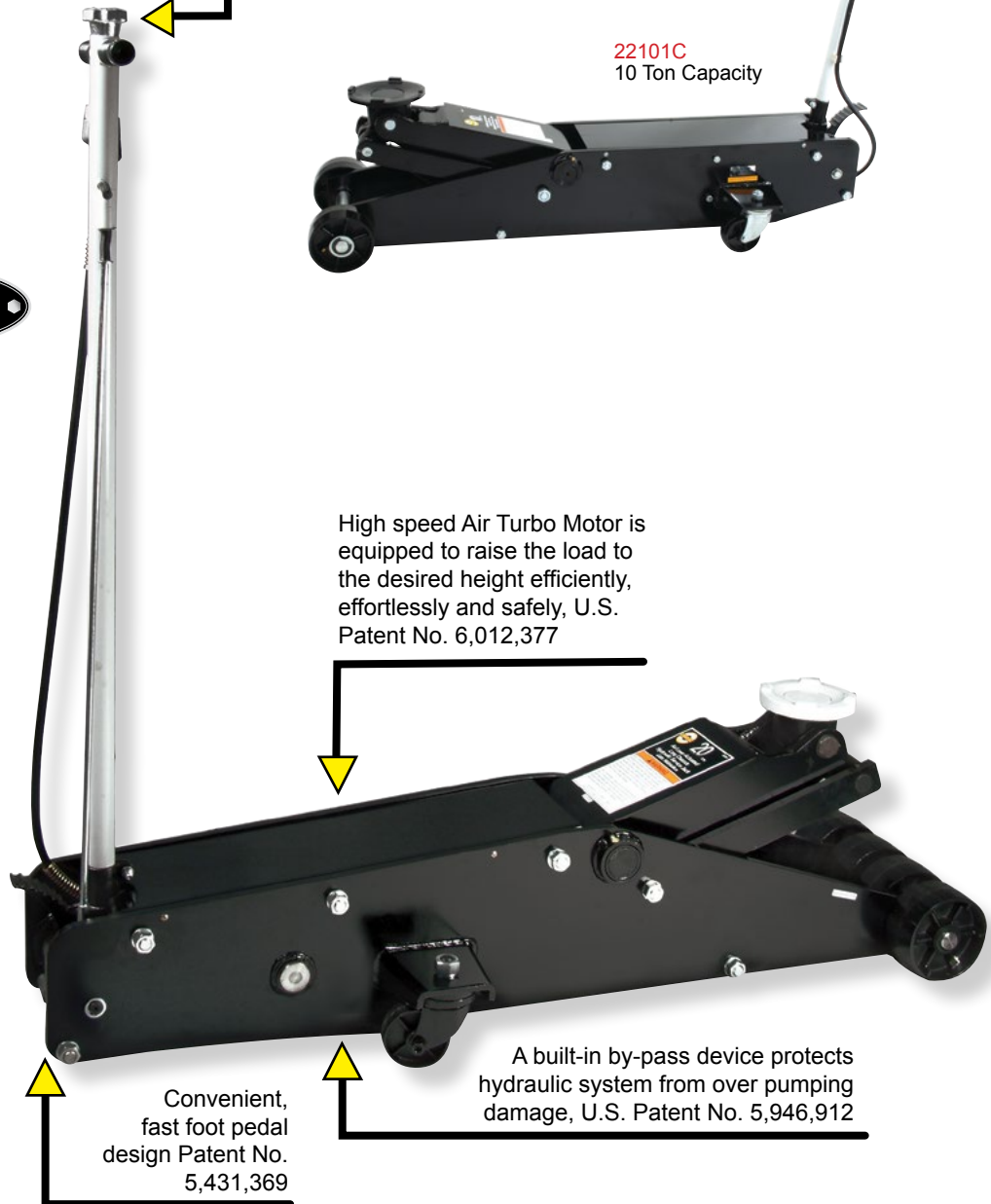
Handle actuated release valve provides metered control at any desired lowering speed



22101C
10 Ton Capacity

High speed Air Turbo Motor is equipped to raise the load to the desired height efficiently, effortlessly and safely, U.S. Patent No. 6,012,377

22201
20 Ton Capacity



Convenient, fast foot pedal design Patent No. 5,431,369

A built-in by-pass device protects hydraulic system from over pumping damage, U.S. Patent No. 5,946,912

Model	Capacity	Minimum Height	Maximum Height	Handle Length	Saddle Diameter	Jack Size Length	Jack Size Width	Jack Size Height	G.W.
22051C	5 Ton	5-3/8"	27"	40-5/8"	6-1/2"	57-3/4"	17"	7-5/8"	230 Lbs.
22101C	10 Ton				7-3/8"	54-3/4"	20"	12-3/4"	441 Lbs.
22201	20 Ton	7-1/2"	26"	49-1/2"	6-1/8"	62-1/4"	20-3/8"	11-3/4"	540 Lbs.
22203		13"	39-5/8"	49-1/2"	6-1/8"	74"	20-3/8"	14-3/8"	728 Lbs.



Single Stage Truck Jacks



In-line air filter traps contaminants and protects air motor for longer life

Sturdy one piece handle assembly is standard on all Omega Truck Jacks

A choice of three handle angles:
 • 90° for space saving storage
 • 45° for easy movement
 • 0° for access to lifting point

1" and 2-1/2" Adaptors Standard on 23221

High speed Air Turbo Motor is equipped to raise the load to the desired height efficiently, effortlessly and safely, U.S. Patent No. 6,012,377

Heat treated extension screw allows low pick-up height adjustment and maximum lift height

A built-in by-pass device protects hydraulic system from over pumping damage, U.S. Patent No. 5,946,912

Large steel and rubber wheels for easy positioning and smooth motion

User friendly, self-returning spring minimizes operators effort, greatly reducing fatigue

Fingertip remote control for added safety

1", 2-1/2" and 5" Adaptors Standard on 23222

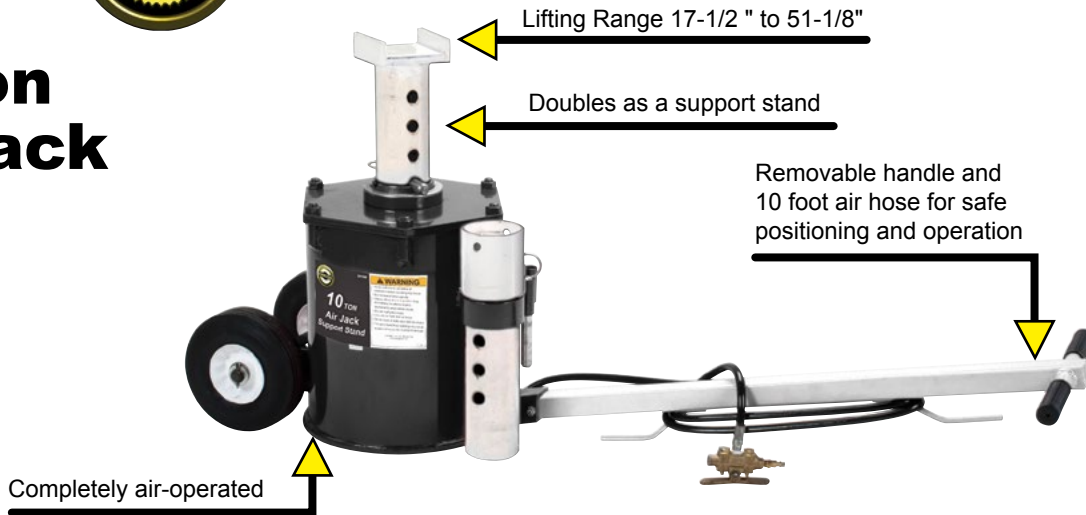


23222
22 Ton Capacity

Model	Capacity	Minimum Height	Maximum Height with adaptor	Extension Screw	Handle Length	Jack Size (L X W)	G.W.
23221	22 Ton	9-3/4"	23-5/8"	3-7/8"	47-3/8"	22" X 12-5/8"	100 Lbs.
23222		8-1/2"	22"				95 Lbs.
23301	30 Ton	11"	18"	N/A	40-7/8"	21-1/2" x 12-1/2"	100 Lbs.
23501	50 Ton	12"	19"		40-7/8"	22-7/8" X 13-3/4"	152 Lbs.
23991	100 Ton		18-1/8"		40-7/8"	26" X 15-3/4"	253 Lbs.



10 Ton Air Jack



Model	Capacity	Starting Height	Maximum Lift Height	Power Travel	Jack Size (L X W)	Rated Capacity Air Pressure
34100	10 Ton	17-1/2" to 40"	51-1/8"	11-1/2"	22" x 12" x 17"	200 psi

Dual Stage Truck Jack

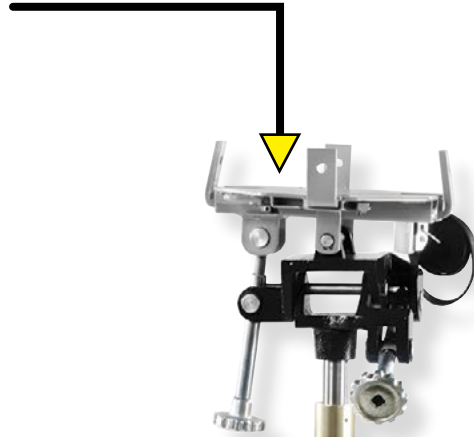


Model	Capacity	Minimum Height	Maximum Height with Adaptor	Extension Screw	Handle Length	Jack Size (L X W)	G.W.
23227	35/22 Ton	8-1/8"	19-5/8"	3-1/8"	40-7/8"	21-5/8" X 13-7/8"	102.5 Lbs.



Transmission Jacks

Adjustable saddle for quick adjustment for most pan configurations



42003
1 Ton Capacity



Chrome-plated rams maximize its high reach - Operated by a user-friendly foot pedal

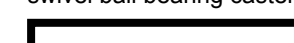


41003
1/2 Ton Capacity

Extra-wide base lowers center of gravity and promotes stability



Rugged steel wheels and full swivel ball bearing casters



40700
700 Lbs. Capacity

A unique foot release pedal provides controlled lowering of load



41000
1/2 Ton Capacity

Model	Capacity	Minimum Height	Maximum Height	Saddle Base	Exp. Saddle Area Min.	Exp. Saddle Area Max.	Jack Size (L X W)	G.W.
40700	700 Lbs.	57-1/4"	76-3/8"	9-7/8" X 9-7/8"	9-7/8" X 9-7/8"	18-7/8" X 18-7/8"	36-1/8" X 32-5/8"	129.5 Lbs.
41000	1/2 Ton	37-3/4"	78-1/8"	11-1/2" X 11-1/2"	11-1/2" X 11-1/2"	23-3/8" X 21-1/8"	33-5/8" X 33-5/8"	161 Lbs.
41003		36"	73-1/8"	9-7/8" X 9-7/8"	9-7/8" X 9-7/8"	18-7/8" X 18-7/8"	34-1/2" X 34-3/8"	145 Lbs.
42003	1 Ton	48-5/8"	77-3/8"	13" X 13"	13" X 13"	24-1/2" X 18-7/8"	42-1/8" X 39-1/2"	290 Lbs.



Air Actuated Transmission Jacks



Fuel Tank Adaptor



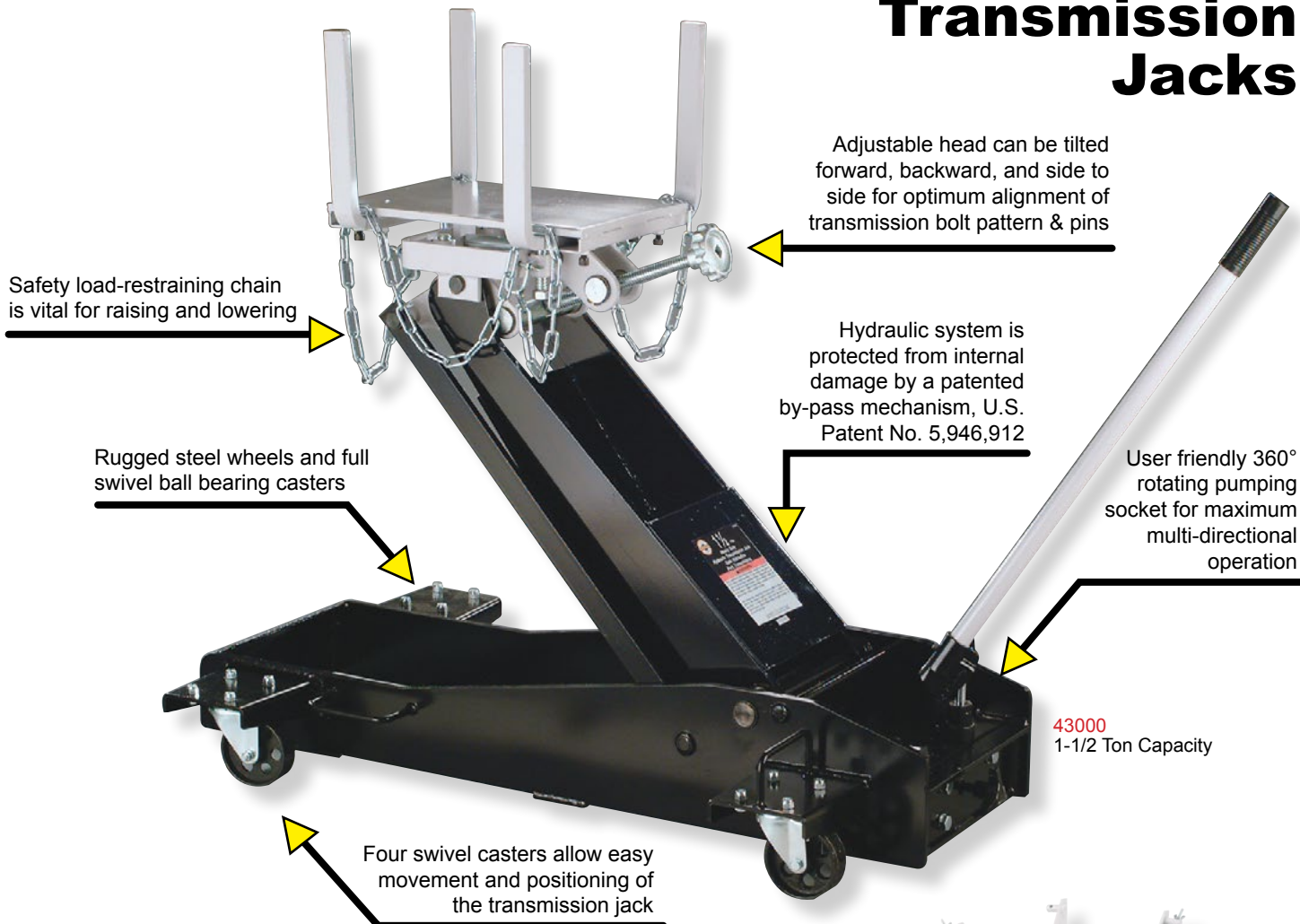
40080: Fuel Tank Adaptor

Specifically designed to enable the telescopic transmission jack to be used in the removal and installation of fuel tanks (Available separately)

Model	Capacity	Air Pressure Required	Minimum Height	Maximum Height	Saddle Base	Expanded Saddle Area Minimum.	Expanded Saddle Area Max.	Jack Size (L X W)	G.W.
41001	1/2 Ton	110-175 PSI	37-3/4"	78-1/8"	11-1/2" x 11-1/2"	11-1/2" x 11-1/2"	23-3/8" x 21-1/8"	33-5/8" x 33-5/8"	197 Lbs.
42001	1 Ton		48-5/8"	77-3/8"	13" x 13"	13" x 13"	24-1/2" x 18-7/8"	42-1/2" x 39-1/2"	294 Lbs.



Floor Style Transmission Jacks



Model	Capacity	Minimum Height	Maximum Height	Handle Length	Saddle Base	Expanded Saddle Area	Jack Size (L X W)	G.W.
41100C	1/2 Ton	9"	24-3/4"	22-1/2"	12-5/8" X 7-7/8"	17" X 9-1/4"	28-3/4" X 15"	106 Lbs.
42000C	1 Ton	7-7/8"	33-1/2"		14-1/8" X 7-7/8"	17" X 15-3/4"	39-3/8" X 19-1/8"	200 Lbs.
43000	1-1/2 Ton		37-1/4"	29-1/2"	18-7/8" X 10-5/8"	24-7/8" X 19"	46-3/4" X 25-5/8"	364 Lbs.



Clutch Jack

Includes 1-3/4" and 2" spline standard

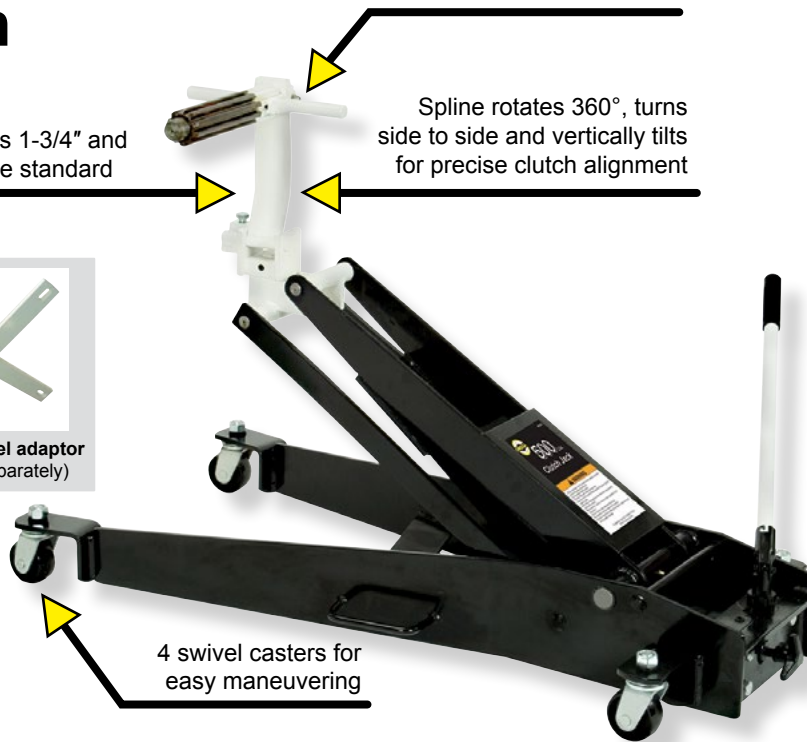
Patented spined shaft assembly for clutch support, U.S. Patent No. 6,189,864

Spline rotates 360°, turns side to side and vertically tilts for precise clutch alignment

Accommodates 14" and 15-1/2" clutch assembly, removal, and installation for a one man operation



40501: Flywheel adaptor (Available separately)



4 swivel casters for easy maneuvering



Conveniently located release valve and 360° rotating pump handle allows precise alignment

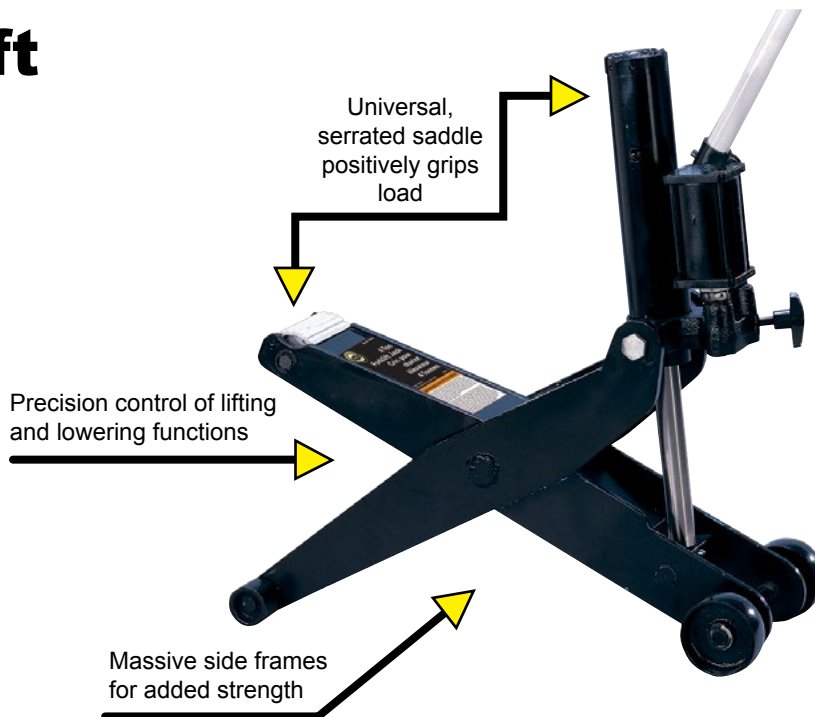
Model	Capacity	Minimum Height	Maximum Height	Spline Diameter	Shaft Diameter	Jack Size (L X W)	G.W.
40500	500 Lbs.	16-1/2"	42"	1-3/4" & 2"	1"	44-1/2" X 22-1/2"	160 Lbs.

Forklift Jacks

Universal, serrated saddle positively grips load

Precision control of lifting and lowering functions

Massive side frames for added strength

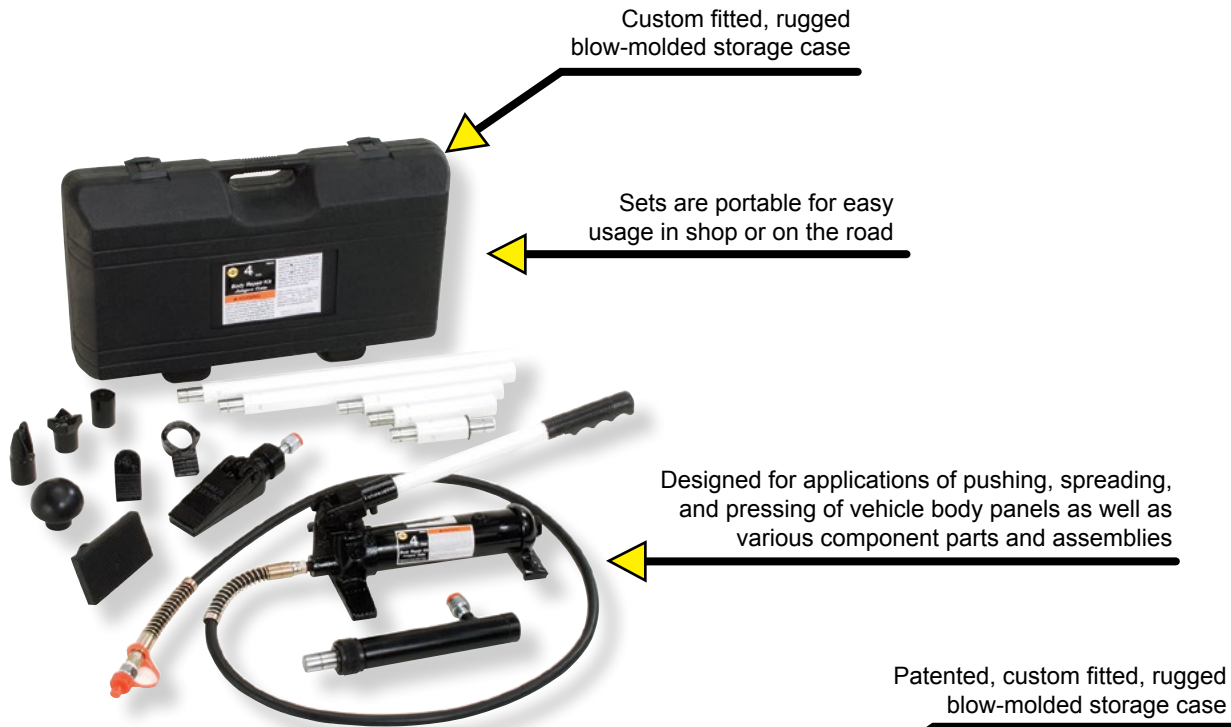


Model	Capacity	Minimum Height	Maximum Height	Handle Length	Jack Size (L X W)	Operating Pressure	G.W.
28045	4 Ton	2-1/8"	17-1/8"	29-1/2"	29-3/4" X 10"	N/A	91 Lbs.



Body Repair Kits

A must for body collision repair use



Custom fitted, rugged blow-molded storage case

Sets are portable for easy usage in shop or on the road

Designed for applications of pushing, spreading, and pressing of vehicle body panels as well as various component parts and assemblies

Patented, custom fitted, rugged blow-molded storage case

Designed for applications of pushing, spreading, and pressing of vehicle body panels as well as various component parts and assemblies

Sets are portable for easy usage in shop or on the road



Model	Ram Capacity	Pump Capacity	Ram		Ram Effective Area	G.W.
			Close Height	Extended Height		
50040	4 Ton	8,000 PSI	10-3/4"	15-5/8"	1.0 in ²	47 Lbs.
50100	10 Ton	10,000 PSI	13-3/4"	19-3/4"	2.4 in ²	84 Lbs.



Air Actuated Foot Pumps

User friendly foot-actuated design for easy control

Made of durable light weight corrosion-free aluminum

Efficiently operates many industrial and construction single acting ram applications

High speed Air Turbo Motor is equipped to raise the load to the desired height efficiently, effortlessly and safely, U.S. Patent No. 6,012,377



Provides up to 10,000 PSI from standard shop air supply of 110-175 PSI

Model	Usable Oil Capacity	Pressure Rating	Air Pressure Rating	Output Flow Rate		G.W.
				No Load	Load	
22903	91.5 in ³	10,000 PSI	110-175 PSI	61.02 in ³ /min.	19.53 in ³ /min.	18.5 Lbs.
22905	122 in ³			65.6 in ³ /min.	11.12 in ³ /min.	21 Lbs.
22907	231.9 in ³			65.6 in ³ /min.	11.12 in ³ /min.	29.5 Lbs.

Crane Jacks

Machined and polished cylinders provide non-abrasive, leak-free, durable performance

A wide, rugged base provides stability and strength

Hydraulic system is protected from internal damage by a patented built-in by-pass mechanism

Built-in by-pass mechanism U.S. Patent No. 5,946,912

Fabricated from hard-cast steel with heat-treated critical stress areas



44981C
8 Ton Air Model

High speed Air Turbo Motor is equipped to raise the load to the desired height efficiently, effortlessly and safely, U.S. Patent No. 6,012,377

Model	Capacity	Minimum Height	Maximum Height	Base Size	G.W.
44915	1-1/2 Ton	19-7/8"	35-1/4"	5-18" X 4-1/2"	18 Lbs.
44930	3 Ton				
44940	4 Ton				
44980	8 Ton	24-1/8"	43-1/4"	5" X 4-3/4"	30.5 Lbs.
44981C Air				7-1/8" X 5"	37.5 Lbs.



Bead Breaker

Works on single rimmed wheels



22953: Bead Breaker Combo

The set includes:

- Bead breaker (22910) X 1 PC
- Air treadle pump (22903) X 1 PC
- 10' Hydraulic hose (CS3838C) X 1 PC
- Hydraulic coupler (CH38) x 1 set



Model	Capacity	Maximum Ram Size	Hydraulic Oil Capacity	Product Size	G.W.
22910	5 Ton	26"	250 mL	17-1/2" X 5-1/2" X 12"	36 Lbs.



Shop Presses With Bottle Jacks

Excellent for bending, bonding, or straightening applications

Hydraulic system is protected from internal damage by a patented by-pass mechanism U.S. Patent No. 5,946,912

Ideal for the removal or installation of gears, universal joints, pulleys, wrist pins, and other various press jobs



Multi-position bed for work height adjustment

Heavy steel welded construction

Model	Capacity	Hydraulic Stroke	Minimum Working Space	Maximum Working Width	Bed Position	Frame Size (W X D X H)	G.W.
60120	12 Ton	6"	2-5/8"	34-3/8"	8	22-3/4" X 18-1/2" X 59"	140.5 Lbs.
60200	20 Ton		2-1/2"	34-1/8"		28" X 28" X 64-1/2"	259 Lbs.

25 Ton Shop Press



Model	Capacity	Ram Stroke	Minimum Working Space	Maximum Working Space	Bed position	Frame Size (W X D X H)	G.W.
60253	25 Ton	6"	2-1/2"	34-1/4"	8	28" x 28" x 59"	272 Lbs.



12 Ton Shop Press Adaptor Kit

Model # 60127



20 Ton Shop Press Adaptor Kit

Model # 60207



25 Ton Shop Press Adaptor Kit

Model # 60257



Engine Cranes

90153
Load Leveler
3/4 Ton



Model	Boom Capacity @ Length	Hook Height		Base Length	Front Base Width	Rear Base Width	Height	Wheel Diameter		G.W.
		Min.	Max.					Front	Rear	
44020	2 Ton	18-3/8"	69-1/4"	62-3/8"~ 90-3/4"	28-7/8"~33-7/8"	34-5/8"~53-1/8"	57"	3-1/2"	317 Lbs.	
	1-1/2 Ton	14"	75-1/4"							
	1 Ton	9-1/4"	81-1/4"							
	1/2 Ton	5"	86-1/2"							



Engine Stands

Worm gear head assembly for easy rotation (on 31256 model only)

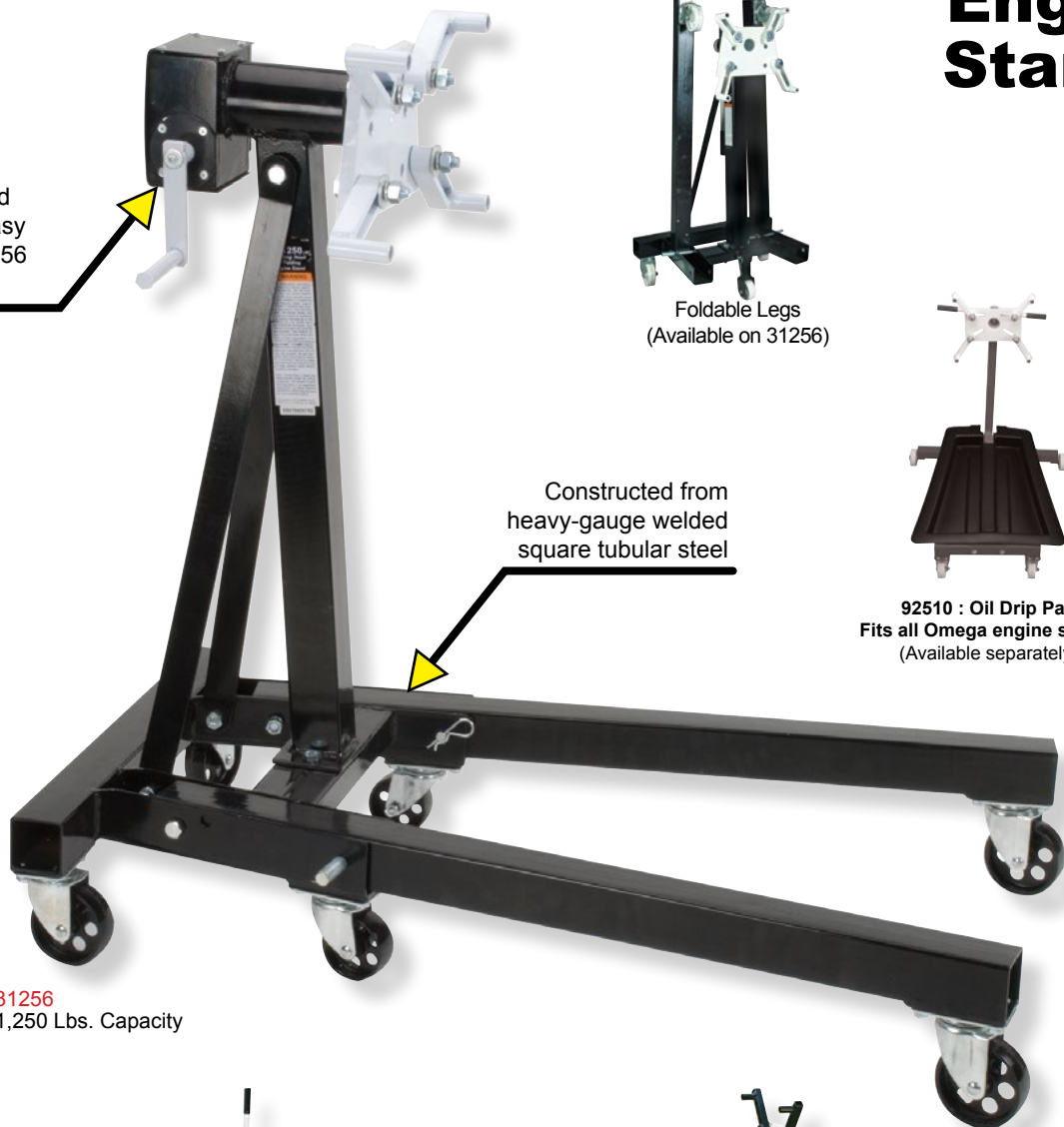


Foldable Legs
(Available on 31256)



92510 : Oil Drip Pan
Fits all Omega engine stands
(Available separately)

Constructed from heavy-gauge welded square tubular steel



31256
1,250 Lbs. Capacity

Extra-long handle with rubber grip for easy rotation and maneuvering



31250
1,250 Lbs. Capacity

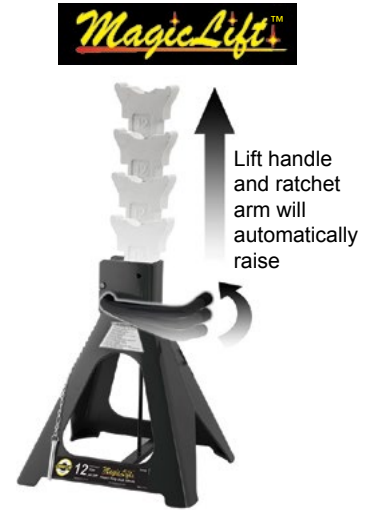


30750
750 Lbs. Capacity

Model	Capacity	Base Size (L X W)	Overall Height	Head Plate	Head Plate Thickness	Wheel Diameter	Handle Length	G.W.
30750	750 Lbs..	31-1/2" X 31-1/2"	36-3/4"	10" X 6"	3/8"	3"	20-1/4"	50.5 Lbs.
31250	1,250 Lbs..	33-3/8" X 33-7/8"	42-3/4"	7-1/2" X 6-1/2" X 3/4" X 10-1/4"	5/8"	3-1/2"		78 Lbs.
31256		41-3/4" X 23-5/8"					N/A	117 Lbs.



Self-Rising Jack Stands



Model	Capacity (per pair)	Minimum Height	Maximum Height	Saddle Size	Base Size (L X W)	G. W. (pair)
32066	6 Ton	15-3/4"	24-3/8"	4-1/4" X 1-1/4"	11" X 9-3/4"	35.5 Lbs.
32126	12 Ton	19-7/8"	30-1/4"	4-1/2" X 1-4/5"	14-3/4" X 12-3/4"	82.5 Lbs.



Ratchet Style Jack Stands

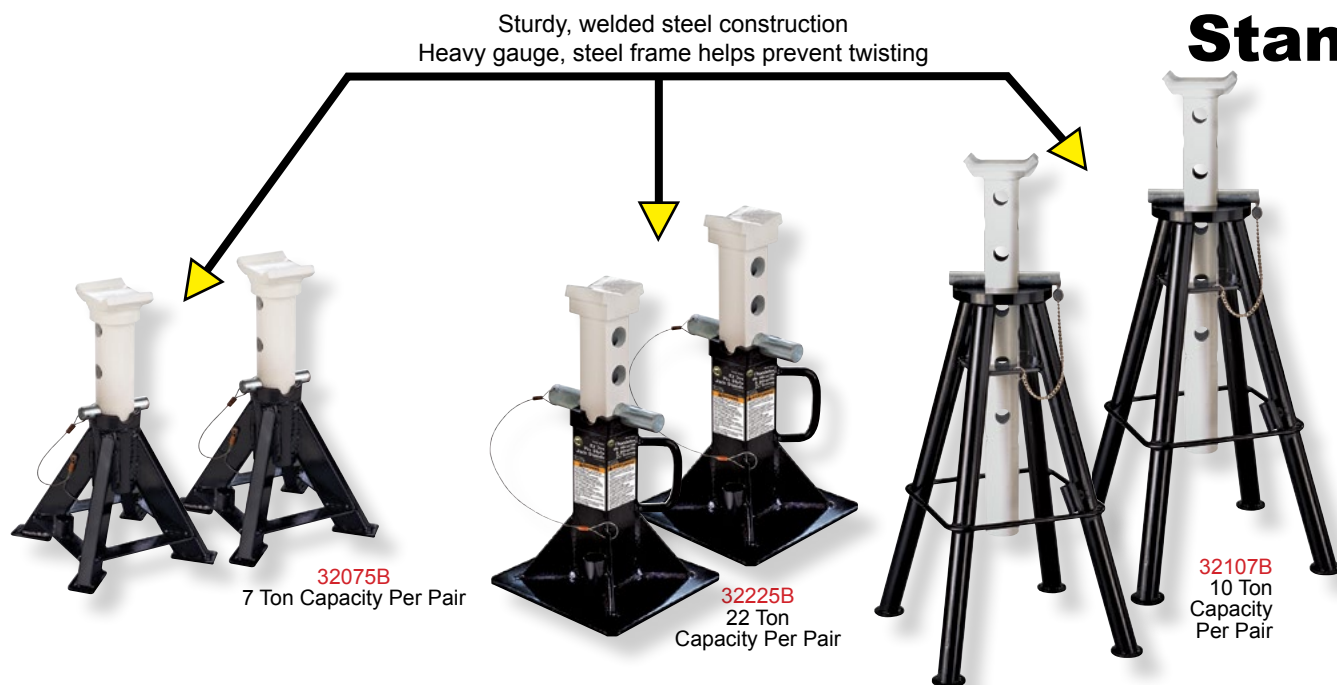
SOLD AND TO BE USED ONLY IN PAIRS



Model	Capacity (per pair)	Minimum Height	Maximum Height	Saddle Size	Base Size (L X W)	G.W. (pair)
32035B	3 Ton	11-1/2"	17"	3-1/2" X 1"	6-3/4" X 7-3/4"	16 Lbs.
32065B	6 Ton	15-3/8"	24-3/8"	4-3/8" X 1-1/4"	9-1/4" X 10-5/8"	34 Lbs.
32125B	12 Ton	17-1/2"	27-1/2"	4-5/8" X 1-1/2"	12" X 10-3/4"	61 Lbs.

Pin Style Jack Stands

SOLD AND TO BE USED ONLY IN PAIRS



Model	Capacity (per pair)	Minimum Height	Maximum Height	Saddle Size	Base Size Width	G.W. (pair)
32075B	7 Ton	9-3/8"	14-1/8"	3-1/2" X 2-3/8"	8-3/4" X 8-3/4"	23 Lbs.
32105B	10 Ton	21"	30-1/4"	3-1/8" X 5"	16-1/2" X 16-1/2"	88 Lbs.
32107B	10 Ton	30"	47-5/8"	3-3/8" X 5"	16-3/8" X 16-3/8"	120 Lbs.
32225B	22 Ton	12-1/4"	19-7/8"	3-1/7" X 2-3/4"	9-3/4" X 9-3/4"	63 Lbs.

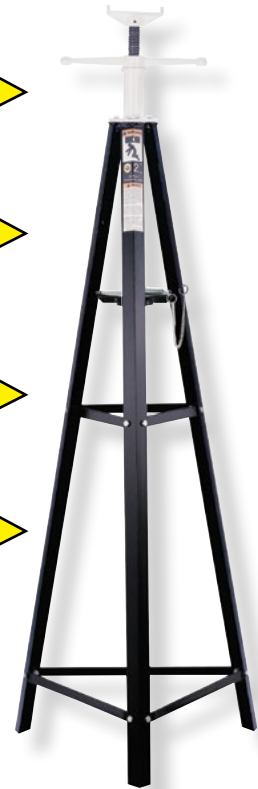


Auxiliary Stands & High Reach Supplementary Stand

31501
3/4 Ton Capacity



33020
2 Ton Capacity



- High reach supplementary stand prevents tipping and rocking of vehicle
- Fast and safe technology for professional mechanics
- Heavy gauge, steel frame helps prevent distortion or twisting
- Auxiliary stands provide partial support for components
- Foot pedal allows easy load movement (for 31501 only)

Model	Capacity	Minimum Height	Maximum Height	Saddle Size	Base Size (L X W)	G.W.
31500	3/4 Ton	53-3/4"	78-7/8"	5-1/4" X 1-1/2"	12" Dia.	33 Lbs.
31501						40 Lbs.
33020	2 Ton	66-1/2"	75-3/4"		24" X 24" X 24"	54 Lbs.

Truck Ramps

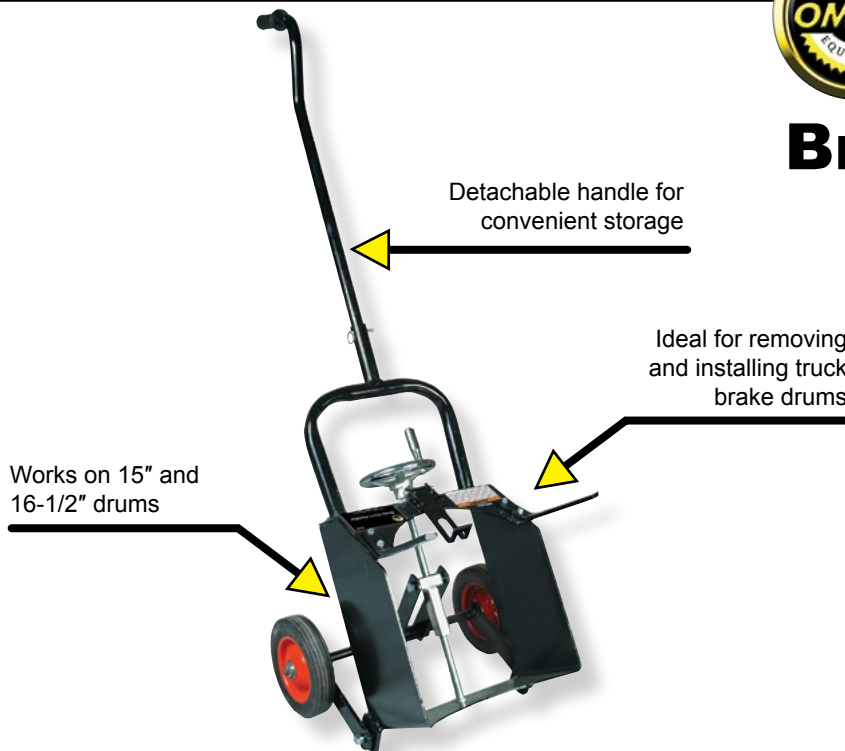
SOLD AND TO BE USED ONLY IN PAIRS



Model	Capacity (per pair)	Frame Size (L X W X H)	Handle Length	Maximum Vehicle Tire Width	G.W. (Pair)
93200	20 Ton	45-5/8" X 13-1/2" X 9-1/4"	33-1/2"	10-3/4"	134.5 Lbs.
93201		45-5/8" X 18-1/4" X 9-1/4"		15-1/2"	338 Lbs.



Brake Drum Handler



Model	Product Size (L X W X H)	Low Lift Height	High Lift Height	Wheel Diameter	G.W.
46000	61-3/8" X 19-3/4" X 17-3/4"	10-5/8"	15"	7-7/8"	60 Lbs.

Wheel Dollies



Model	Capacity	Lifting Range	Lifting Arm Dimension	Tilt Range	Product Size (L X W X H)	G.W.
47050C	3/4 Ton	2-1/2" - 8-3/8"	27-1/2" X 26"	-2° - 5°	45-1/8" X 39-1/2" X 34-7/8"	193 Lbs.
47053		2-1/4" - 11"	25-7/8" X 25-1/4"	-2° - 5°	43-1/2" X 43" X 34-7/8"	151 Lbs.

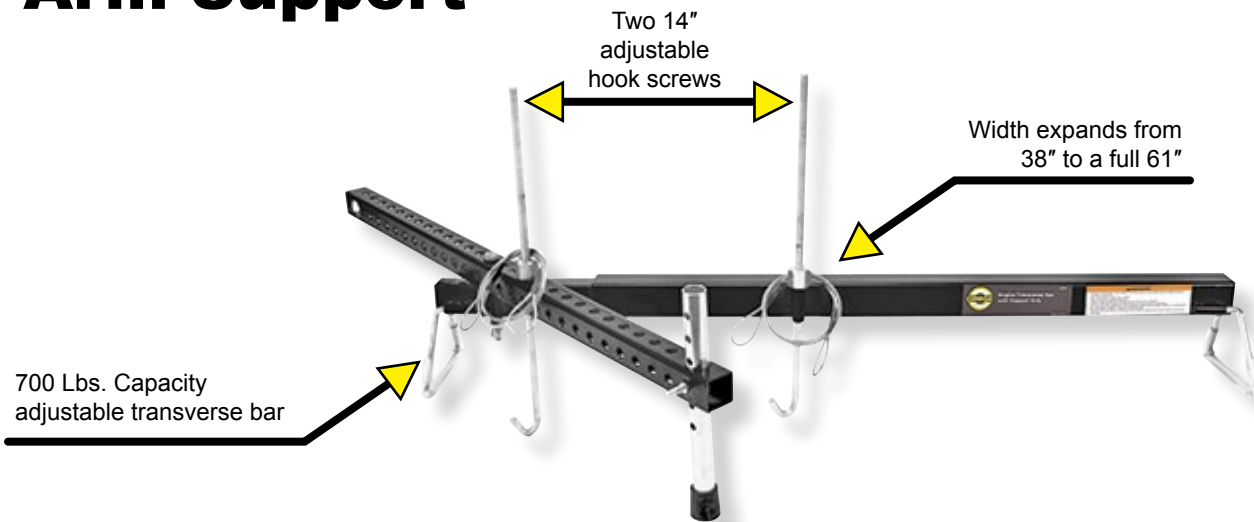


300 Lbs. Tire Cart



Model	Capacity	Roller Spread	Overall Size (L x W x H)	G.W.
92030	300 Lbs..	19-1/2"	50" x 27-1/2" x 20"	20 Lbs.

Engine Transverse Bar With Arm Support



Model	Capacity	Width Expand	Hook Thread Length	G.W.
44700	700 Lbs.	38" ~ 61"	12.5"	25 Lbs.



Bone Creepers

The Tailbone™

OME5031

The Tailbone Rough Rider™

OME5131

- 350 Lbs. Capacity creeper seat
- 5" tread wheels
- 1 Year warranty on body
- Lifetime warranty on wheels

The Bone™

OME6031

- 300 Lbs. Capacity Creeper
- 5" tread wheels
- 1.25" Clearance
- 1 Year warranty on body
- Lifetime warranty on wheels



The Rough Rider™

OME7031

- 400 Lbs. Capacity creeper
- 5.28" multi-terrain tread wheels
- 3" Clearance
- 1 Year warranty on body
- Lifetime warranty on wheels

The Bone-ster™

OME4031

- 400 Lbs. Capacity creeper
- 3" tread wheels
- 1 Year warranty on body
- Lifetime warranty on wheels

Model	Description	Capacity	Dimensions (L x H x W)	Color	Item Weight
OME4031	Omega - The Bone-ster™ Mechanics Creeper	400 Lbs.	43" x 5.25" x 24"	Black	13 Lbs.
OME5031	Omega The Tail Bone™ Mechanics Seat	350 Lbs.	28" x 24" x 32"	Black	15.5 Lbs.
OME5131	Omega The Tail Bone Rough Rider Mechanics Seat	350 Lbs.	28" x 25" x 32"	Black	16.5 Lbs.
OME7031	Omega - The Rough Rider™ Mechanics Creeper	400 Lbs.	45.5" x 7.875" x 25.5"	Black	20 Lbs.
OME6031	Omega The Bone™ Mechanics Creeper	300 Lbs.	45.5" x 7.875" x 25.5"	Black	18 Lbs.



Low Profile Z Creeper

US Patents
6,969,077
D639,638S

Fully upholstered pad



Six 3", non-marking, oil resistant, full bearing casters for easy movement



2" lower than the regular Z Creeper

Model	Capacity	Dimensions (L X H X W)	G.W.
91452	450 Lbs.	40" X 4-1/4" X 26"	23 Lbs.

Low Profile Creeper

Fully upholstered pad



Low Profile Design
US Patent # D634,502S

Six 3", non-marking, oil resistant, full bearing casters for easy movement
US Patent # D639,638S

Model	Capacity	Dimensions (L X H X W)	G.W.
91400	400 Lbs.	41-3/7" X 4-8/9" X 27-1/7"	27 Lbs.



450 Lbs. Rated capacity

Toolbox Creeper



U.S. Design Patents # D586,132. and # D625,526



Model	Capacity	Seat Dimensions (L X H X W)	G.W.
92450	450 Lbs.	14" x 9" x 2-1/6"	28.5 Lbs.

Z Creeper

US Patent 6,969,077



Model	Capacity	Dimensions (L X H X W)	G.W.
91000	450 Lbs.	41-2/9" X 6-3/4" X 19-3/5"	25.5 Lbs.



2 in 1 Stool

Patent Pending rolling seat with built in stool

Steel tread plate for added grip while standing

Tool tray included

Padded seat for comfort while seated

Five 3" oil resistant, 360° rotating, smooth-rolling casters for easy operation



Model	Capacity	G.W.
91305	350 Lbs.	21.2 Lbs.



Omega Racing Chair RCOM100



Adjustable armrest

Suede-like fabric

Gas spring telescope mechanism

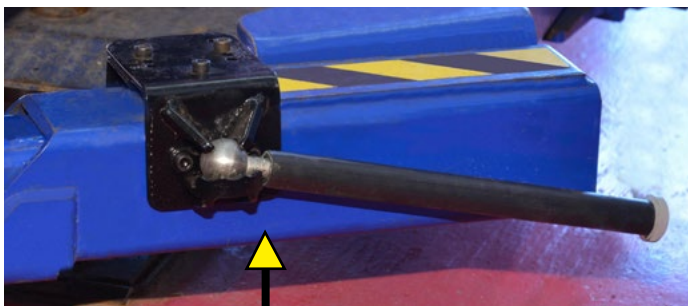
Nylon material chair base

5 Chrome plated casters



Wheel Arm™

Worldwide Patent Pending



Bar can be positioned to the side

Adjusts both horizontally & vertically



Magnetic tool trays included



The bar can be folded up or sideways when not in use to save space.



The Wheel Arm holds the tire at lift arm height and is handy with tire rotations and brake jobs.



Model	Description	Capacity	Size (W x D x H)	G.W.
92100	Wheel Arm™ for 2 Post lifts	100 Lbs	8"x 6.8"x 17"	16 Lbs.



ONE YEAR LIMITED WARRANTY

WARRANTY INFORMATION

For a period of one (1) year from date of purchase, SFA Companies will repair or replace, at its option, without charge, any of its products which fails due to defect in material or workmanship, or which fails to conform to any implied warranty not excluded hereby. Performance of any obligation under this warranty may be obtained by returning the warranted product, freight prepaid, to SFA Companies Warranty Service Department, 10939 N. Pomona Avenue, Kansas City, MO 64153. Except where such limitations and exclusions are specifically prohibited by applicable law.

(1) THE CONSUMER'S SOLE AND EXCLUSIVE REMEDY SHALL BE THE REPAIR OR REPLACEMENT OF DEFECTIVE PRODUCTS AS DESCRIBED ABOVE.

(2) SFA COMPANIES SHALL NOT BE LIABLE FOR ANY CONSEQUENTIAL OR INCIDENTAL DAMAGE OR LOSS WHATSOEVER.

(3) THE DURATION OF ANY AND ALL EXPRESSED AND IMPLIED WARRANTIES, INCLUDING WITHOUT LIMITATION, ANY WARRANTIES OF MERCHANTABILITY AND FITNESS FOR A PARTICULAR PURPOSE, IS LIMITED TO A PERIOD OF ONE (1) YEAR FROM DATE OF PURCHASE.

- Some states do not allow limitations on how long an implied warranty lasts, so above limitation may not apply to you.
- Some states do not allow the exclusion or limitation of incidental or consequential damages, so the above limitation or exclusion may not apply to you. The warranty gives you specific legal rights, and you may also have other rights which vary from state to state.

Products denoted with this symbol ▼ contains DEHP, a phthalate chemical know to the State of California to cause birth defects and other reproductive harm.

Global Locations



USA

Shinn Fu Company of America
10939 N. Pomona Ave
Kansas City, MO 64153
USA
Tel: 888-332-6419, 816-891-6390
Fax: 816-891-6599
Email: sales@omegalift.com

Canada

Shinn Fu Company of Canada, Inc.
6355 Shawson Drive, Unit 1
Mississauga, Ontario L5T 1S7
Canada
Tel: 888-820-3737, 1-905-362-2277
Fax: 905-362-2280
Email: sales@shinnfucanada.ca

Asia

Shinn Fu Corporation Headquarters
7F., NO.618 Ruei Guang Road
Nei Hu District, Taipei City 114
Taiwan R.O.C.
Tel: 886-2-87517888
Fax: 886-2-87517999

Europe

Shinn Fu Europe B.V.
Tussenrimer 20, 4704 SR
Roosendaal
The Netherlands
Tel: +31-165-583-300
Fax: +31-165-583-310
Email: sales@sfeu.nl

Australia

Shinn Fu Australia PTY, Ltd.
15 Viewtech Place
Rowville 3178 Victoria
Australia
Tel: +61-3-9755-8277
Fax: +61-3-9755-8219

