

PCI PRESSURE COMPONENTS INC.

PROVIDING QUALITY PRODUCTS SINCE 1985



VALVES



QUICK DISCONNECT COUPLINGS



PIPE, TUBE AND HOSE CLAMPS



DIAGNOSTIC PRODUCTS

- **INDUSTRIAL**
- **AGRICULTURAL**
- **PETRO CHEMICAL**
- **OFFSHORE**
- **MINING**
- **CONSTRUCTION**
- **PRESSURE WASH**
- **RENEWABLE ENERGIES**

Table of Contents

SERIES.....PAGE

QUICK COUPLINGS

FF.....	1-4
HNV.....	5-7
ANV.....	8-9
NS/NV.....	10-12
FB.....	13-14
VVP.....	15-16
PVEP.....	17-18
PVV.....	19-20
TNV/TNL.....	21-25
I.....	26-27
A.....	28
PT.....	29
ST.....	30-32

DIAGNOSTICS & GAUGES

PPD.....	33
H900.....	34-36
PCLG.....	37

HIGH PRESURE BALL VALVES

NBKH.....	38
BKH.....	39
SKH.....	40-41
HRKH.....	42
RKH.....	43
STECKO.....	44
BK3.....	45-46
SK3.....	47
PV2/PV3.....	48
SPLIT FLANGE.....	49
FULL FLANGE.....	50
SPLITXFULLFLANGE.....	51
FCKH WAFER.....	52
ACCESSORIES.....	53
ACTUATORS.....	54
QUALITY/WARNINGS.....	55

SERIES.....PAGE

LOW-MEDIUM PRESURE BALL VALVES

MPV.....	56
383.....	56
171N.....	57
SLB.....	58

FLOW CONTROL / NEEDLE VALVES

FCV.....	59
NVI.....	59

CHECK VALVES

VU.....	60-61
HSP.....	62

PIPE, TUBES & HOSE CLAMPS

STANDARD.....	63-67
TWIN.....	68-71
HEAVY.....	72-75

FF Series

Flush Face Couplings

The FF Series is a flat face dry break coupling that meets or exceeds the ISO 16028 standard.

FEATURES

- Non-spill / Flush Face Design
- Push to connect
- Sleeve lock standard
- Anti-Blowout Nitrile PTFE Bonded Seal

APPLICATIONS

- Hydraulic tool
- Skidsteer loaders
- Agricultural
- Overhead bucket hoists
- Chemical
- Railway
- Public utilities

INTERCHANGEABILITY

- ISO 16028

MATERIALS

- Zinc Nickel plated steel
- Buna-N seals standard

SIZES

- 1/8" to 1" nominal

TEMP. RATING

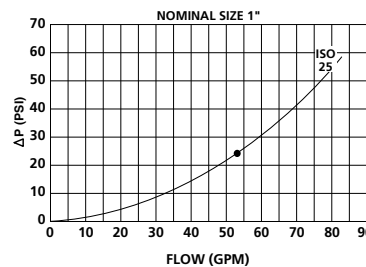
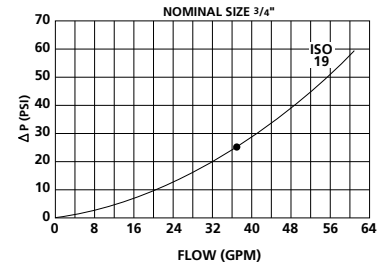
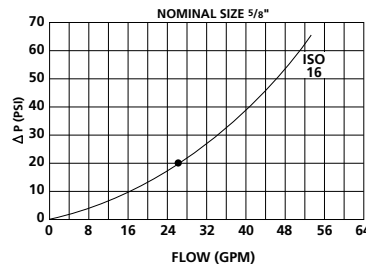
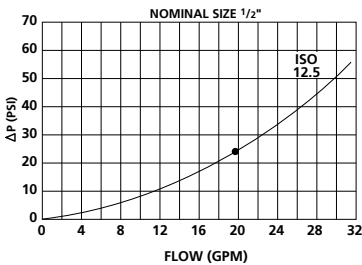
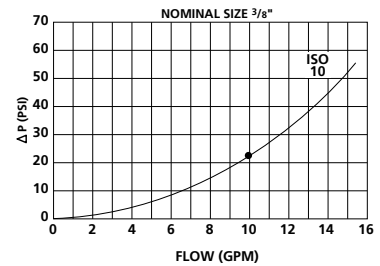
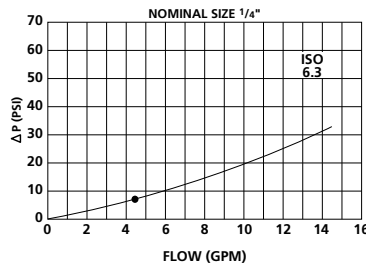
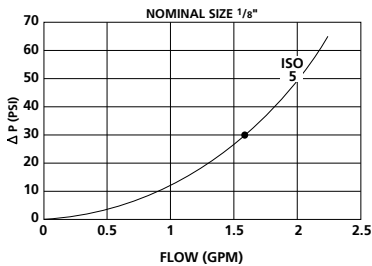
- -22°F to +230°F

RATED PRESSURE

- 5000 PSI in sizes 1/8" to 1/2"
- 3625 PSI max. in sizes 3/4" to 1"

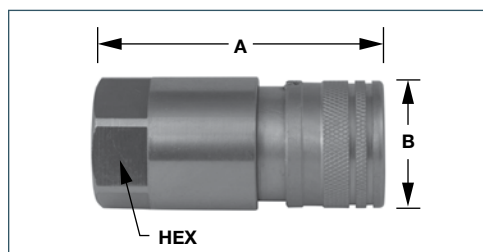


PERFORMANCE:



FF Series

ISO-16028



COUPLER

BODY SIZE	ISO SIZE	PART NUMBER		DIMENSIONS (IN.)		
		STEEL	THREAD SIZE	A	B	HEX
1/8"	5	FF02-N18F	1/8" NPTF	1.91	.56	.67
1/4"	6.3	FF04-N14F	1/4" NPTF	1.94	1.10	.94
1/4"	6.3	FF04-S916F	9/16"-18 ORB	1.94	1.10	.94
3/8"	10	FF06-N38F	3/8" NPTF	2.69	1.26	.94
3/8"	10	FF06-N12F	1/2" NPTF	2.69	1.26	.94
3/8"	10	FF06-S916F	9/16"-18 ORB	2.97	1.26	.94
3/8"	10	FF06-S34F	3/4"-16 ORB	2.97	1.26	.94
1/2"	12.5	FF08-N12F	1/2" NPTF	2.96	1.49	1.26
1/2"	12.5	FF08-N34F	3/4" NPTF	2.96	1.49	1.26
1/2"	12.5	FF08-S78F	7/8"-14 ORB	3.42	1.49	1.33
1/2"	12.5	FF08-S34F	3/4"-16 ORB	3.42	1.49	1.33
1/2"	12.5	FF08-S1116F	1 1/16"-12 ORB	3.42	1.49	1.33
5/8"	16	FF10-N12F	1/2" NPTF	3.16	1.65	1.42
5/8"	16	FF10-N34F	3/4" NPTF	3.16	1.65	1.42
5/8"	16	FF10-S78F	7/8"-14 ORB	3.53	1.65	1.42
5/8"	16	FF10-S34F	3/4" NPTF	3.53	1.65	1.42
5/8"	16	FF10-S1116F	1 1/16"-12 ORB	3.53	1.65	1.42
3/4"	19	FF12-N34F	3/4" NPTF	3.93	1.88	1.61
3/4"	19	FF12-N1F	1" NPTF	3.93	1.88	1.61
3/4"	19	FF12-S1116F	1 1/16"-12 ORB	4.18	1.88	1.61
3/4"	19	FF12-S1516F	1 5/16"-12 ORB	4.18	1.88	1.61
1"	25	FF16-N1F	1" NPTF	4.21	2.16	1.97
1"	25	FF16-N114F	1 1/4" NPTF	4.21	2.16	1.97
1"	25	FF16-S158F	1 5/8"-12 ORB	4.52	2.16	1.97

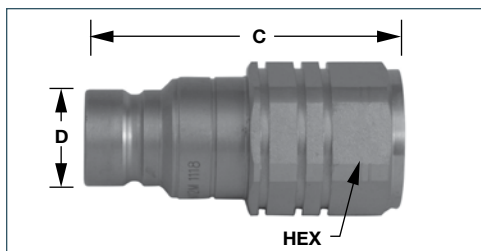
DUST PROTECTOR FOR COUPLER – RUBBER (RED)

SIZE	ISO SIZE	PART NUMBER
1/4"	6.3	FF04-FC
3/8"	10	FF06-FC
1/2"	12.5	FF08-FC
5/8"	16	FF10-FC
3/4"	19	FF12-FC
1"	25	FF16-FC



FF Series

ISO-16028



PLUG

BODY SIZE	ISO SIZE	PART NUMBER		DIMENSIONS (IN.)		
		STEEL	THREAD SIZE	C	D	HEX
1/8"	5	FF02-N18M	1/8" NPTF	1.72	.53	.67
1/4"	6.3	FF04-N14M	1/4" NPTF	1.94	.63	.78
1/4"	6.3	FF04-S916M	9/16"-18 ORB	1.94	.63	.78
3/8"	10	FF06-N38M	3/8" NPTF	2.18	.77	.95
3/8"	10	FF06-N12M	1/2" NPTF	2.18	.77	.95
3/8"	10	FF06-S916M	9/16"-18 ORB	2.18	.77	.95
3/8"	10	FF06-S34M	3/4"-16 ORB	2.18	.77	.95
1/2"	12.5	FF08-N12M	1/2" NPTF	2.81	.96	1.26
1/2"	12.5	FF08-N34M	3/4" NPTF	2.81	.96	1.26
1/2"	12.5	FF08-S78M	7/8"-14 ORB	2.81	.96	1.26
1/2"	12.5	FF08-S34M	3/4"-16 ORB	2.81	.96	1.26
1/2"	12.5	FF08-S1116M	1 1/16"-12 ORB	2.81	.96	1.26
5/8"	16	FF10-N12M	1/2" NPTF	2.95	1.06	1.42
5/8"	16	FF10-N34M	3/4" NPTF	2.95	1.06	1.42
5/8"	16	FF10-S78M	7/8"-14 ORB	2.95	1.06	1.42
5/8"	16	FF10-S34M	3/4" NPTF	2.95	1.06	1.42
5/8"	16	FF10-S1116M	1 1/16"-12 ORB	2.95	1.06	1.42
3/4"	19	FF12-N34M	3/4" NPTF	3.69	1.17	1.61
3/4"	19	FF12-N1M	1" NPTF	3.69	1.17	1.61
3/4"	19	FF12-S1116M	1 1/16"-12 ORB	3.69	1.17	1.61
3/4"	19	FF12-S1516M	1 5/16"-12 ORB	3.69	1.17	1.61
1"	25	FF16-N1M	1" NPTF	3.54	1.48	2.16
1"	25	FF16-N114M	1 1/4" NPTF	3.54	1.48	2.16
1"	25	FF16-S158M	1 5/8"-12 ORB	3.54	1.48	2.16

DUST PROTECTOR FOR PLUG – RUBBER (RED)

SIZE	ISO SIZE	PART NUMBER
1/4"	6.3	FF04-MC
3/8"	10	FF06-MC
1/2"	12.5	FF08-MC
5/8"	16	FF10-MC
3/4"	19	FF12-MC
1"	25	FF16-MC



3FF Series

Connect Under Pressure Plugs

FEATURES

- Non-spill/flush face design
- Push to connect
- Connect under pressure up to 3,000 PSI

INTERCHANGEABILITY

- ISO-16028

MATERIAL

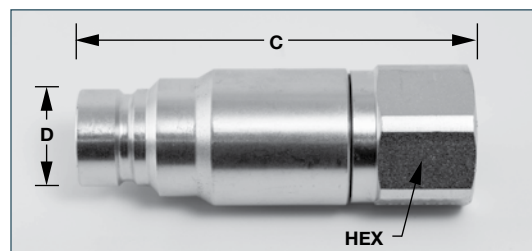
- Zinc nickel plated steel/ROHS compliant

SIZE

- 1/4" -1" Nominal

TEMP RATING

- -22°F to +230°F



PLUG

BODY SIZE	ISO SIZE	PART NUMBER		DIMENSIONS (IN.)		
		STEEL	THREAD SIZE	C	D	HEX
1/4"	6.3	3FF04-N14M	1/4" NPTF	3.02	.64	.79
3/8"	10	3FF06-N38M	3/8" NPTF	3.07	.78	.95
3/8"	10	3FF06-N12M	1/2" NPTF	3.07	.78	.95
3/8"	10	3FF06-S916M	9/16"-18 ORB	3.07	.78	.95
3/8"	10	3FF06-S34M	3/4"-16 ORB	3.07	.78	.95
1/2"	12.5	3FF08-N12M	1/2" NPTF	3.77	.97	1.26
1/2"	12.5	3FF08-S34M	1/4" NPTF	3.77	.97	1.26
1/2"	12.5	3FF08-S78M	7/8"-14 ORB	3.77	.97	1.26
1/2"	12.5	3FF08-S1116M	1 1/16"-12 ORB	3.77	.97	1.26
3/4"	19	3FF12-N34M	3/4" NPTF	4.48	1.18	1.81
3/4"	19	3FF12-S1116M	1 1/16"-12 ORB	4.48	1.18	1.81
1"	25	3FF16-N1M	1" NPTF	4.87	1.41	2.17
1"	25	3FF16-S1516M	1 5/16"-12 ORB	4.87	1.41	2.17

DUST PROTECTOR FOR PLUG – RUBBER (RED)

SIZE	ISO SIZE	PART NUMBER
1/4"	6.3	FF04-MC
3/8"	10	FF06-MC
1/2"	12.5	FF08-MC
3/4"	19	FF12-MC
1"	25	FF16-MC



TECHNICAL INFORMATION

SIZE	WORKING PRESSURE	FLOW- GPM	MAX. RESIDUAL PRESSURE	SPILLAGE
1/4"	5000 PSI	8	3000 PSI	0.010 mL
3/8"	4350 PSI	12	3000 PSI	0.010 mL
1/2"	4350 PSI	24	2750 PSI	0.010 mL
3/4"	3625 PSI	53	2200 PSI	0.120 mL
1"	3000 PSI	80	1800 PSI	0.200 mL

HNV Series

Industrial Interchange

FEATURES

- Industry wide interchange
- High flow capacity
- Positive valve stop
- Bubble tight sealing
- Buna-N O-Rings
- PTFE backup rings

APPLICATIONS

- Hydraulic
- Chemical
- Steam
- Vacuum
- Transportation
- Fluid transfer

INTERCHANGEABILITY

- ISO 7241-I Series B
- Parker
- Aeroquip
- Safeway
- Faster
- Dixon
- DNP
- Stucchi

MATERIALS

- Steel
- Brass
- 316 Stainless

SIZES

- 1/8" to 1"

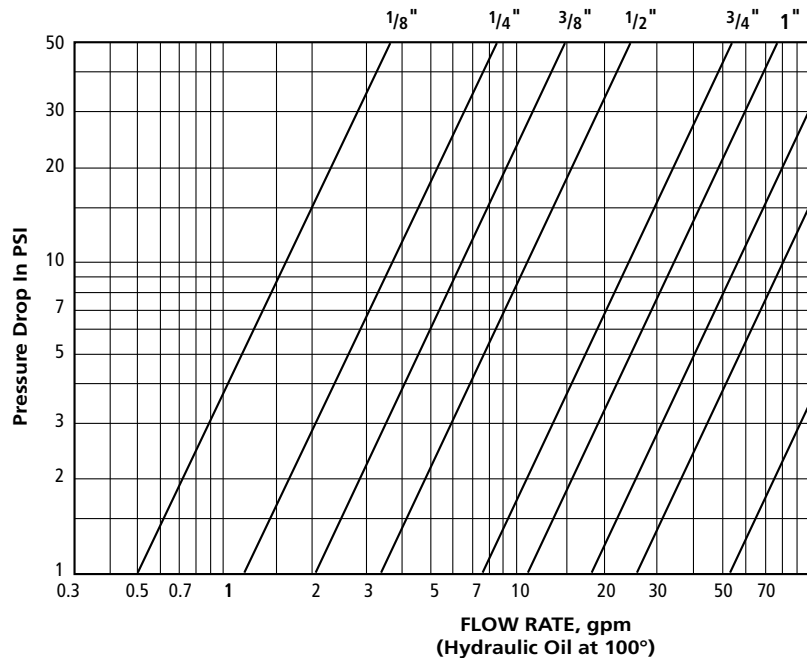
TEMP. RATING

- -22°F to +230°F



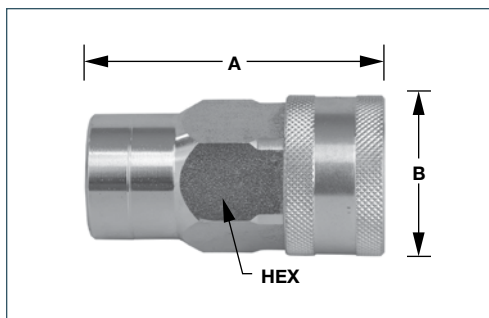
RATED PRESSURE (PSI)

BODY SIZE	STEEL	BRASS	316 SS
1/8"	4650	3000	5000
1/4"	4100	2700	3500
3/8"	3780	2200	3000
1/2"	3780	2250	2000
3/4"	3045	2000	1500
1"	3045	1500	1500



HNV Series

ISO-B 1/8"-1" Sizes



COUPLER (NPT)

BODY SIZE	PART NUMBER			THREAD	STEEL DIMENSIONS (IN.)		
	STEEL	BRASS	316 STAINLESS		A	B	HEX
1/8"	HNV-18-F	HNV-18-F-5	HNV-18-F-3	1/8" NPTF	1.93	.87	.56
1/4"	HNV-14-F	HNV-14-F-5	HNV-14-F-3	1/4" NPTF	2.26	1.06	.75
3/8"	HNV-38-F	HNV-38-F-5	HNV-38-F-3	3/8" NPTF	2.62	1.38	.94
1/2"	HNV-12-F	HNV-12-F-5	HNV-12-F-3	1/2" NPTF	2.91	1.65	1.06
3/4"	HNV-34-F	HNV-34-F-5	HNV-34-F-3	3/4" NPTF	3.58	2.05	1.42
1"	HNV-1-F	HNV-1-F-5	HNV-1-F-3	1" NPTF	4.10	2.36	1.61

COUPLER (ORB)

BODY SIZE	PART NUMBER		DIMENSIONS (IN.)		
	STEEL	THREAD	A	B	HEX
1/4"	HNV-14-SAE-F	9/16" -18 ORB	2.26	1.06	.75
3/8"	HNV-38-SAE-F	3/4" -16 ORB	2.62	1.38	.94
1/2"	HNV-12-SAE-F	7/8" -14 ORB	2.91	1.65	1.06
3/4"	HNV-34-SAE-F	1 1/16" -12 ORB	3.54	2.05	1.42
1"	HNV-1-SAE-F	1 5/16" -12 ORB	4.06	2.36	1.61

DUST PROTECTOR FOR COUPLER (RED)

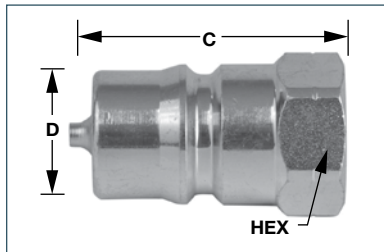
BODY SIZE	PART NUMBER	
	RUBBER	
1/8"	TMH-18	
1/4"	TMH-14	
3/8"	TMH-38	
1/2"	TMH-12	
3/4"	TMH-34	
1"	TMH-1	



NOTE: CONTACT PCI FOR BRASS AND STAINLESS DIMENSIONS

HNV Series

ISO-B 1/8"-1"



PLUG (NPT)

BODY SIZE	PART NUMBER			THREAD	STEEL DIMENSIONS (IN.)		
	STEEL	BRASS	316 STAINLESS		C	D	HEX
1/8"	HNV-18-M	HNV-18-M-5	HNV-18-M-3	1/8" NPTF	1.18	.43	.55
1/4"	HNV-14-M	HNV-14-M-5	HNV-14-M-3	1/4" NPTF	1.41	.56	.75
3/8"	HNV-38-M	HNV-38-M-5	HNV-38-M-3	3/8" NPTF	1.59	.76	.94
1/2"	HNV-12-M	HNV-12-M-5	HNV-12-M-3	1/2" NPTF	1.81	.92	1.06
3/4"	HNV-34-M	HNV-34-M-5	HNV-34-M-3	3/4" NPTF	2.20	1.26	1.41
1"	HNV-1-M	HNV-1-M-5	HNV-1-M-3	1" NPTF	2.48	1.48	1.61

PLUG (ORB)

BODY SIZE	PART NUMBER		DIMENSIONS (IN.)		
	STEEL	THREAD	C	D	HEX
1/4"	HNV-14-SAE-M	9/16" -18 ORB	1.41	.56	.75
3/8"	HNV-38-SAE-M	3/4" -16 ORB	1.59	.76	.94
1/2"	HNV-12-SAE-M	7/8" -14 ORB	1.81	.92	1.06
3/4"	HNV-34-SAE-M	1 1/16" -12 ORB	2.20	1.26	1.41
1"	HNV-1-SAE-M	1 5/16" -12 ORB	2.48	1.48	1.61

DUST PROTECTOR FOR PLUG (RED)

BODY SIZE	PART NUMBER
	RUBBER
1/8"	TFH-18
1/4"	TFH-14
3/8"	TFH-38
1/2"	TFH-12
3/4"	TFH-34
1"	TFH-1



NOTE: CONTACT PCI FOR BRASS AND STAINLESS DIMENSIONS

ANV Series

FEATURES

- Ball lock
- Manual connect/disconnect
- Poppet valving
- Slim profile
- Zinc plated steel

APPLICATIONS

- Construction
- Agricultural
- General industry
- Fluid transfer

INTERCHANGEABILITY

- ISO 7241-I Series A

MATERIALS

- Zinc plated steel
- Stainless Steel spring, balls and retaining ring
- Buna-N seals

SIZES

- 1/4" to 2"

TEMP. RATING

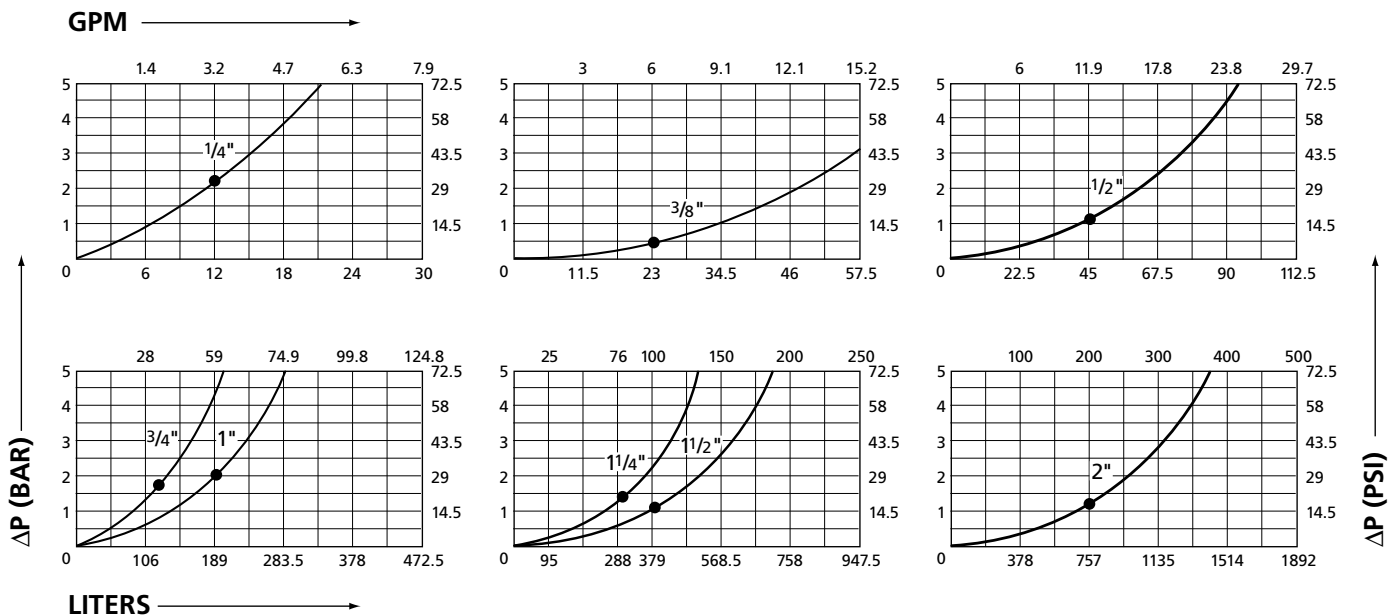
- -4°F to +212°F



RATED PRESSURE

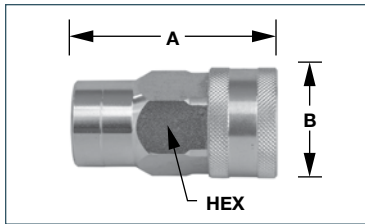
SIZE	PSI
1/4"	5000
3/8"	4000
1/2"	4000
3/4"	3000
1"	3000
1 1/4"	3625
1 1/2"	2900
2"	2755

PERFORMANCE:



ANV Series

ISO-A 1/4"-2"

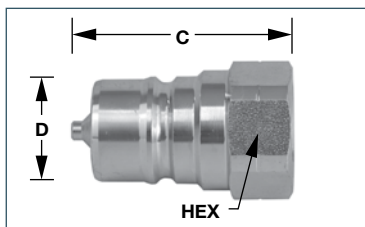


COUPLER

BODY SIZE	PART NUMBER		DIMENSIONS (IN.)		
	STEEL	THREAD SIZE	A	B	HEX
1/4"	ANV-14-F	1/4" NPTF	2.05	1.02	.75
1/4"	ANV-14-SAE-F	7/16"-20 ORB	2.05	1.02	.75
3/8"	ANV-38-F	3/8" NPTF	2.30	1.26	.94
3/8"	ANV-38-SAE-F	9/16"-18 ORB	2.30	1.26	.94
1/2"	NV-12-F	1/2" NPTF	2.50	1.49	1.18
1/2"	NV-12-SAE-F	3/4"-16 ORB	2.50	1.49	1.18
1/2"	NV-12/78-SAE-F	7/8"-14 ORB	2.50	1.49	1.18
3/4"	ANV-34-F	3/4" NPTF	3.29	1.81	1.49
3/4"	ANV-34-SAE-F	1 1/16"-12 ORB	3.29	1.81	1.49
1"	ANV-1-F	1" NPTF	3.82	2.17	1.81
1"	ANV-1-SAE-F	1 5/16"-12 ORB	3.82	2.17	1.81
1 1/4"	ANV-114-F	1 1/4" NPTF	4.61	2.76	1.97
1 1/2"	ANV-112-F	1 1/2" NPTF	5.24	3.33	2.36
2"	ANV-2-F	2" NPTF	6.50	3.94	2.95

DUST PROTECTOR FOR COUPLER (RED)

SIZE	PART NUMBER
1/4"	TMA-14
3/8"	TMA-38
1/2"	TM-12-R
3/4"	TMA-34
1"	TMA-1
1 1/4"	TMA-114
1 1/2"	TMA-112
2"	TMA-2



PLUG

BODY SIZE	PART NUMBER		DIMENSIONS (IN.)		
	STEEL	THREAD SIZE	C	D	HEX
1/4"	ANV-14-M	1/4" NPTF	1.49	.47	.75
1/4"	ANV-14-SAE-M	7/16"-20 ORB	1.49	.47	.73
3/8"	ANV-38-M	3/8" NPTF	1.59	.68	.86
3/8"	ANV-38-SAE-M	9/16"-18 ORB	1.59	.68	.84
1/2"	NV-12-M	1/2" NPTF	1.81	.81	1.06
1/2"	2NV-12-SAE-M *	3/4"-16 ORB	1.81	.81	1.06
1/2"	NV-12/78-SAE-M	7/8"-14 ORB	1.92	.81	1.03
3/4"	ANV-34-M	3/4" NPTF	2.20	1.14	1.41
3/4"	ANV-34-SAE-M	1 1/16"-12 ORB	2.20	1.14	1.43
1"	ANV-1-M	1" NPTF	2.48	1.35	1.61
1"	ANV-1-SAE-M	1 5/16"-12 ORB	2.48	1.35	1.58
1 1/4"	ANV-114-M	1 1/4" NPTF	2.95	1.77	1.97
1 1/2"	ANV-112-M	1 1/2" NPTF	3.29	2.16	2.36
2"	ANV-2-M	2" NPTF	4.13	2.56	2.95

DUST PROTECTOR FOR PLUG (RED)

SIZE	PART NUMBER
1/4"	TFA-14
3/8"	TFA-38
1/2"	TF-12-R
3/4"	TFA-34
1"	TFA-1
1 1/4"	TFA-114
1 1/2"	TFA-112
2"	TFA-2



* Connectable under pressure.

NS/NV Series

Agricultural Couplings

FEATURES

- ISO 5675 interchange
- High concentration of locking balls
- Ball or poppet valving

APPLICATIONS

- Construction
- Agricultural
- Forestry
- Oil tools
- Steel mill machinery
- Fluid transfer

INTERCHANGEABILITY

- Parker
- Dixon
- Safeway
- DNP
- Faster
- Stucchi

MATERIALS

- Steel

SIZES – BALL TYPE

- 1/4" to 3/4"

SIZES – POPPET TYPE

- 1/4" to 1"

TEMP. RATING

- -22°F to +230°F



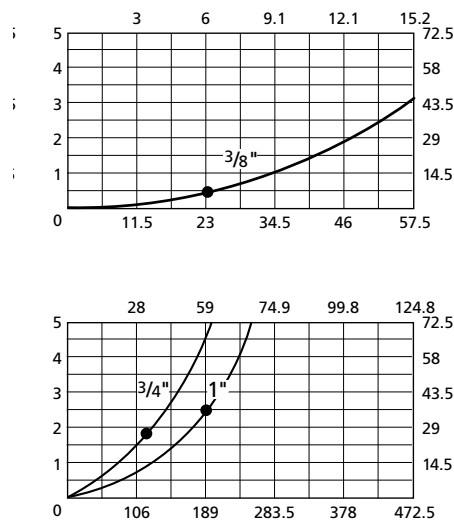
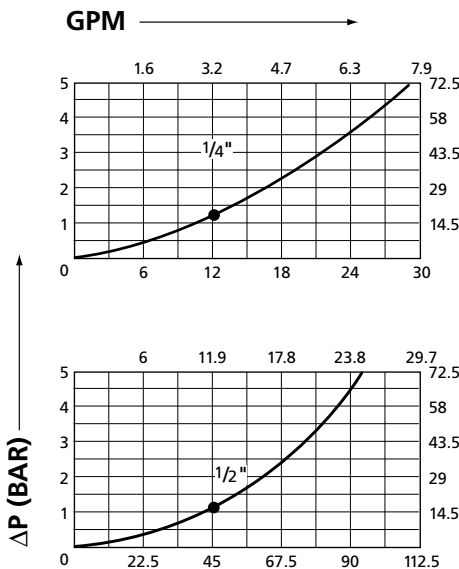
RATED PRESSURE (PSI) – BALL TYPE

SIZE	STEEL
1/4"	5000
3/8"	4350
1/2"	4350
3/4"	3625

RATED PRESSURE (PSI) – POPPET TYPE

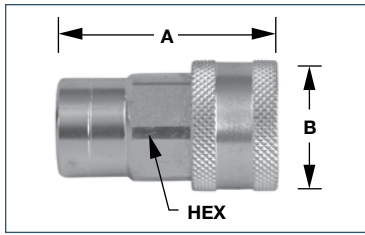
SIZE	STEEL
1/4"	5000
3/8"	4350
1/2"	4350
1"	3200

PERFORMANCE:



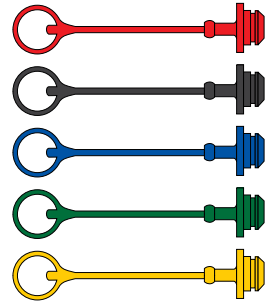
NS Series

Ball Type



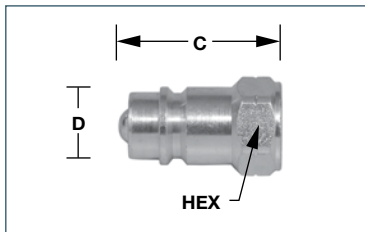
DUST PROTECTOR FOR COUPLER

SIZE	PART NUMBER	COLOR
1/4"	TM-14-R	RED
3/8"	TM-38-R	RED
1/2"	TM-12	BLACK
1/2"	TM-12-R	RED
1/2"	TM-12-B	BLUE
1/2"	TM-12-G	GREEN
1/2"	TM-12-Y	YELLOW



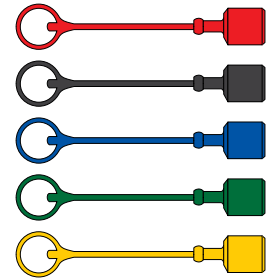
COUPLER

BODY SIZE	PART NUMBER		DIMENSIONS (IN.)		
	STEEL	THREAD	A	B	HEX
1/4"	NS-14-F	1/4" NPTF	2.11	1.06	.75
3/8"	NS-38-F	3/8" NPTF	2.40	1.38	.94
1/2"	NS-12-F	1/2" NPTF	2.50	1.50	1.06
3/4"	NSP-34-F	3/4" NPTF	3.34	1.79	1.41



DUST PROTECTOR FOR PLUG

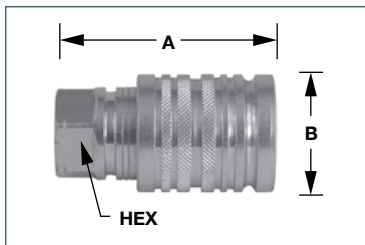
SIZE	PART NUMBER	COLOR
1/4"	TF-14-R	RED
3/8"	TF-38-R	RED
1/2"	TF-12	BLACK
1/2"	TF-12-R	RED
1/2"	TF-12-B	BLUE
1/2"	TF-12-G	GREEN
1/2"	TF-12-Y	YELLOW



PLUG

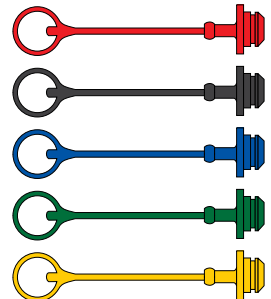
BODY SIZE	PART NUMBER		DIMENSIONS (IN.)		
	STEEL	THREAD	C	D	HEX
1/4"	NS-14-M	1/4" NPTF	1.42	.55	.75
3/8"	NS-38-M	3/8" NPTF	1.59	.75	.94
1/2"	**2NS-12-M	1/2" NPTF	1.81	.80	1.06
3/4"	NSP-34-M	3/4" NPTF	2.20	1.10	1.41

** Connectable under pressure. (Up to 2750 PSI)



DUST PROTECTOR FOR COUPLER

SIZE	PART NUMBER	COLOR
1/2"	TM-12	BLACK
1/2"	TM-12-R	RED
1/2"	TM-12-B	BLUE
1/2"	TM-12-G	GREEN
1/2"	TM-12-Y	YELLOW



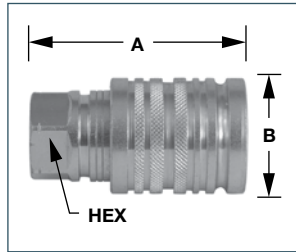
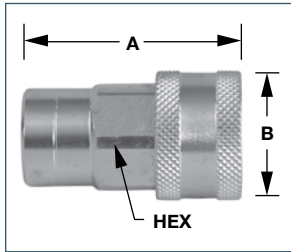
DOUBLE ACTING SLEEVE COUPLER

BODY SIZE	PART NUMBER		DIMENSIONS (IN.)		
	STEEL	THREAD	A	B	HEX
1/2"	PS-12-F	1/2" NPTF	2.50	1.50	1.06

NV Series

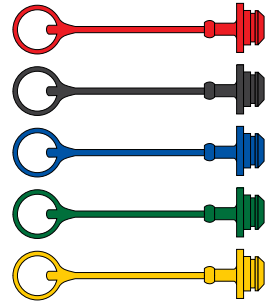
Poppet Type

DOUBLE ACTING SLEEVE (PV)



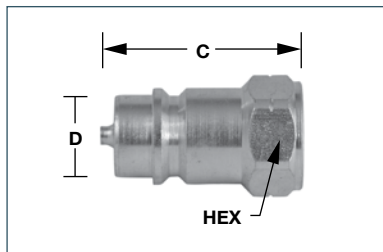
DUST PROTECTOR FOR COUPLER

SIZE	PART NUMBER	COLOR
1/4"	TM-14-R	RED
3/8"	TM-38-R	RED
1/2"	TM-12	BLACK
1/2"	TM-12-R	RED
1/2"	TM-12-B	BLUE
1/2"	TM-12-G	GREEN
1/2"	TM-12-Y	YELLOW



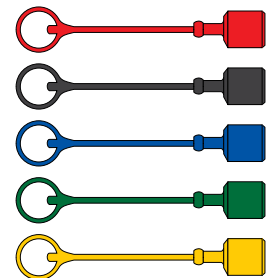
COUPLER

BODY SIZE	PART NUMBER		DIMENSIONS (IN.)		
	STEEL	THREAD SIZE	A	B	HEX
1/4"	NV-14-F	1/4" NPTF	2.11	1.06	.75
3/8"	NV-38-F	3/8" NPTF	2.40	1.38	.94
1/2"	NV-12-F	1/2" NPTF	2.50	1.50	1.06
1/2"	NV-12-SAE-F	3/4" -16 ORB	2.76	1.50	1.06
1/2"	NV-12/78-SAE-F	7/8" -14 ORB	2.76	1.50	1.06
1/2"	PV-12-F	1/2" NPTF	2.50	1.50	1.06
1/2"	PV-12-SAE-F	3/4" -16 ORB	2.50	1.50	1.06
1/2"	PV-12/34-F	3/4" NPTF	2.50	1.50	1.06
1"	NV-1-F	1" NPTF	3.86	2.01	1.61



DUST PROTECTOR FOR PLUG

SIZE	PART NUMBER	COLOR
1/4"	TF-14-R	RED
3/8"	TF-38-R	RED
1/2"	TF-12	BLACK
1/2"	TF-12-R	RED
1/2"	TF-12-B	BLUE
1/2"	TF-12-G	GREEN
1/2"	TF-12-Y	YELLOW



PLUG

BODY SIZE	PART NUMBER		DIMENSIONS (IN.)		
	STEEL	THREAD SIZE	C	D	HEX
1/4"	NV-14-M	1/4" NPTF	1.42	.55	.75
3/8"	NV-38-M	3/8" NPTF	1.59	.75	.94
1/2"	*NV-12-M	1/2" NPTF	1.81	.80	1.06
1/2"	NV-12/34-M	3/4" NPTF	1.81	.80	1.34
1/2"	*2NV-12-SAE-M	3/4" -16 ORB	1.81	1.06	1.06
1/2"	NV-12/78-SAE-M	7/8" -14 ORB	1.81	1.06	1.06
1"	NV-1-M	1" NPTF	2.88	1.23	1.61

* Connectable under pressure. (Up to 2750 PSI)

FB Series

Wing Nut Couplings

FEATURES

- Connect/disconnect under pressure
- Brass construction
- O-ring connected marker

APPLICATIONS

- Wet line hydraulic systems
- Oil field
- Mobile drilling rigs
- Submersible pumps

INTERCHANGEABILITY

- Parker
- Aeroquip
- Faster
- Dixon
- DNP
- Stucchi

MATERIALS

- Brass

SIZES

- 1/2" – 1 1/2"

TEMP. RATING

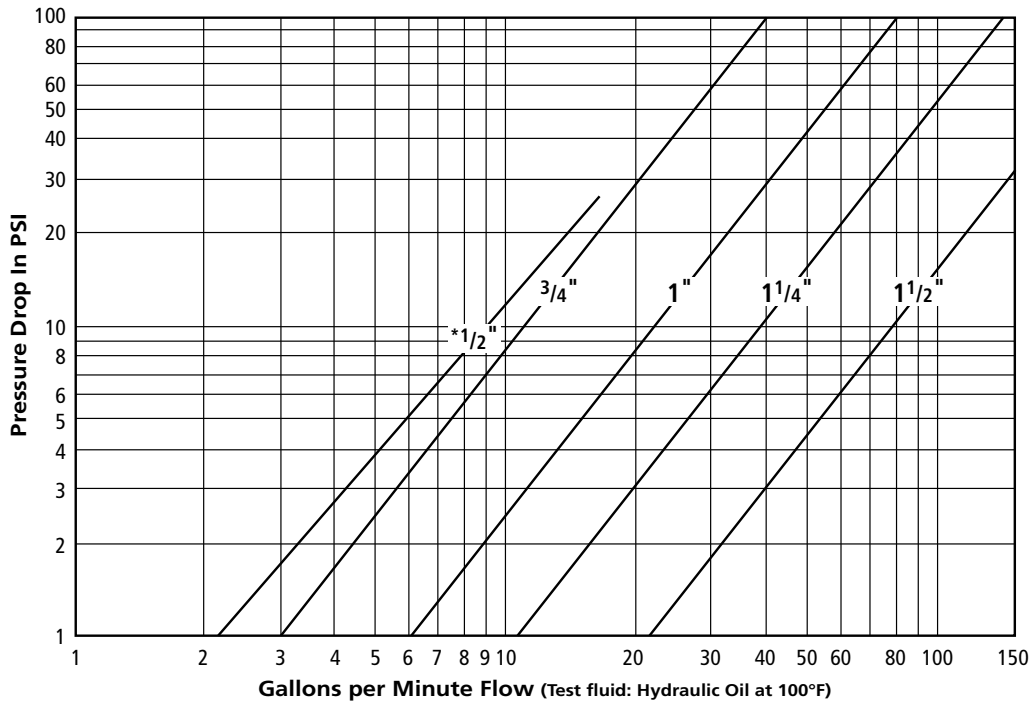
- -22°F to +230°F

RATED PRESSURE

- 1/2" – 1" 3000 PSI
- 1 1/4" – 1 1/2" 2750 PSI



PERFORMANCE:



* Denotes 1/2" thread on 3/4" body configuration

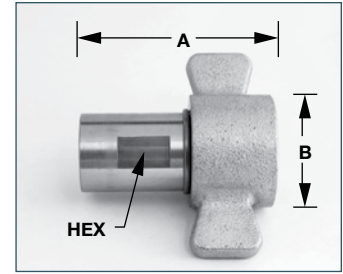
FB Series

Wing Nut Couplings

COUPLER

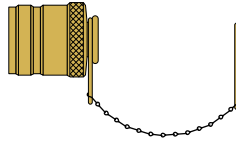
BODY SIZE	PART NUMBER		DIMENSIONS (IN.)		
	STEEL	THREAD SIZE	A	B	HEX
3/4"	FB-08-F	1/2" NPTF	3.09	1.92	1.15
3/4"	FB-12-F	3/4" NPTF	3.09	1.92	1.15
1"	FB-16-F	1" NPTF	3.78	2.25	1.44
1 1/4"	FB-20-F	1 1/4" NPTF	3.97	2.62	1.78
1 1/2"	FB-24-F	1 1/2" NPTF	4.06	2.85	2.00

WING STYLE



DUST PROTECTOR FOR COUPLER (BRASS)

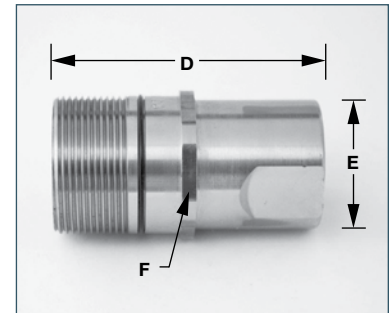
BODY SIZE	PART NUMBER
3/4"	FBM-12
1"	FBM-16
1 1/4"	FBM-20
1 1/2"	FBM-24



BRASS CAP WITH STAINLESS CHAIN

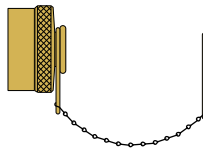
PLUG

BODY SIZE	PART NUMBER		DIMENSIONS (IN.)		
	STEEL	THREAD SIZE	D	E	F
3/4"	FB-08-M	1/2" NPTF	3.10	1.31	1.62
3/4"	FB-12-M	3/4" NPTF	3.10	1.31	1.62
1"	FB-16-M	1" NPTF	3.55	1.56	1.87
1 1/4"	FB-20-M	1 1/4" NPTF	3.71	1.88	2.12
1 1/2"	FB-24-M	1 1/2" NPTF	4.06	2.00	2.51



DUST PROTECTOR FOR PLUG (BRASS)

BODY SIZE	PART NUMBER
3/4"	FBF-12
1"	FBF-16
1 1/4"	FBF-20
1 1/2"	FBF-24



BRASS CAP WITH STAINLESS CHAIN

VVP Series

Heavy Duty Couplings

FEATURES

- Connect/disconnect under pressure
- Heavy-duty construction
- O-Ring connected marker
- Unique thread profile for smooth operation
- Ideal for systems experiencing pressure spikes

APPLICATIONS

- Hydraulic
- Fluid transfer
- Heavy industrial
- Construction
- High impulse

INTERCHANGEABILITY

- Voswinkel HS
- DNP PVV3
- Dixon CVV

MATERIALS

- Steel

BODY SIZES

- 3/8" to 1"

TEMP. RATING

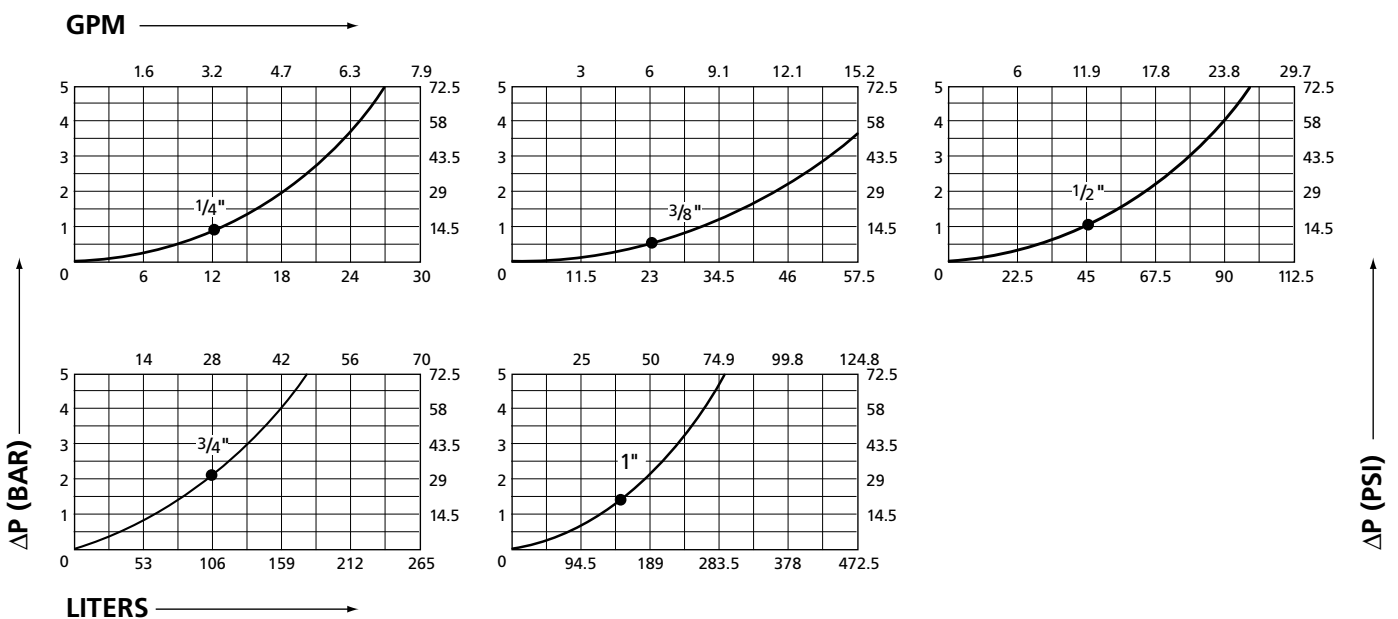
- -40°F to 240°F



RATED PRESSURE – PSI

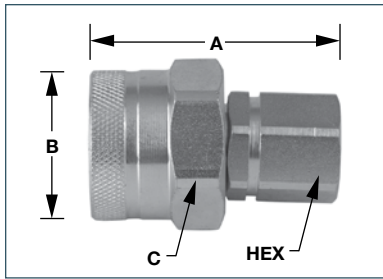
SIZE	STEEL
3/8"	5075
1/2"	4700
3/4"	3675
1"	3675

PERFORMANCE:



VVP Series

Heavy-Duty Service Coupling



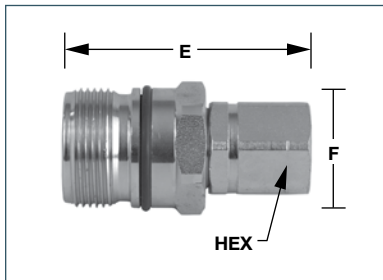
DUST PROTECTOR FOR COUPLER (RED)

SIZE	PART NUMBER
3/8"	VVM-38-R
1/2"	VVM-12-R
3/4"	VVM-34-R
1"	VVM-1-R



COUPLER

BODY SIZE	PART NUMBER		DIMENSIONS (IN.)			
	STEEL	THREAD SIZE	A	B	C	HEX
3/8"	VVP-38-38-F	3/8" NPTF	2.41	1.35	1.18	.86
3/8"	VVP-38-SAE-F	9/16" -18 ORB	2.41	1.35	1.18	.86
1/2"	VVP-12-12-F	1/2" NPTF	2.64	1.66	1.41	1.06
3/4"	VVP-34-34-F	3/4" NPTF	3.14	1.88	1.61	1.42
1"	VVP-1-1-F	1" NPTF	3.45	2.18	1.96	1.61



DUST PROTECTOR FOR PLUG (RED)

SIZE	PART NUMBER
3/8"	VVF-38-R
1/2"	VVF-12-R
3/4"	VVF-34-R
1"	VVF-1-R



PLUG

BODY SIZE	PART NUMBER		DIMENSIONS (IN.)		
	STEEL	THREAD SIZE	E	F	HEX
3/8"	VVP-38-38-M	3/8" NPTF	2.52	1.07	.87
3/8"	VVP-38-SAE-M	9/16" -18 ORB	2.52	1.07	.87
1/2"	VVP-12-12-M	1/2" NPTF	2.76	1.40	1.06
3/4"	VVP-34-34-M	3/4" NPTF	3.39	1.64	1.42
1"	VVP-1-1-M	1" NPTF	3.94	1.90	1.61

PVEP Series

Screw Together Couplings

FEATURES

- Connect/disconnect under pressure up to 4350 PSI
- Improved corrosion resistance
- Two stage valve protects sealing components during pressurized connection and disconnection
- Flush face design avoids fluid loss and air inclusion

APPLICATIONS

- Excavators
- Grapples
- Hammers
- Construction Equipment
- Oil Field

INTERCHANGEABILITY

- Stucchi VEP
- DNP PST4
- Parker FET

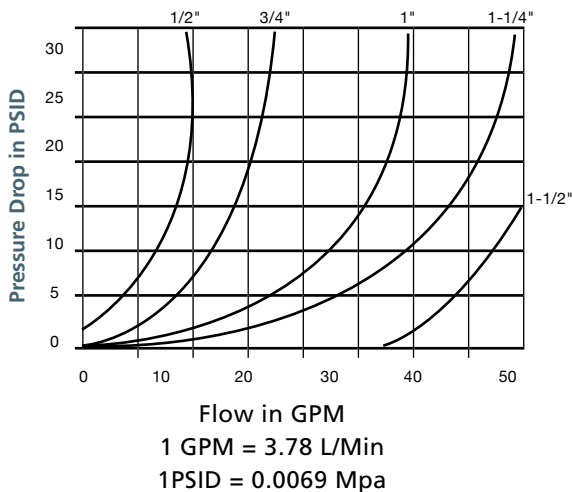
MATERIALS

- Steel with Zinc Nickel Plating

TEMP. RATING

- -22°F to 230°F

PERFORMANCE:



RATED PRESSURE – PSI

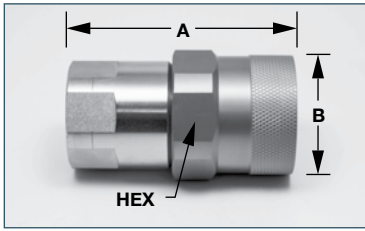
SIZE	PSI
1/2"	5500
3/4"	5000
1"	5000
1 1/4"	5000
1 1/2"	3750



CORRECT PROCEDURE TO CONNECT AND DISCONNECT THE PVEP SERIES

1. Clean all mating surfaces thoroughly, then pull socket sleeve forward
2. Align socket and plug, pushing/turning the socket sleeve towards the plug while engaging the threads. Allow threads to pull socket into the plug.
3. Initial connection should be hand threaded, followed by a wrench.
4. Continue to thread socket sleeve into plug until end of sleeve meets plug body.
5. To disconnect, use a wrench to break sleeve free and keep socket and plug aligned.

PVEP Series

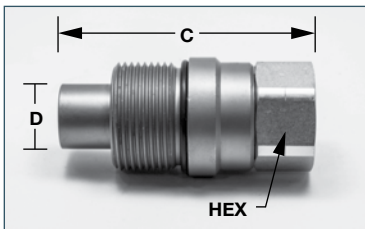


COUPLER

BODY SIZE	PART NUMBER		DIMENSIONS (IN.)		
	STEEL	THREAD SIZE	A	B	HEX
1/2"	PVEP-12F-NPT-1/2"	1/2" NPTF	3.08	1.81	1.42
1/2"	PVEP-12F-SAE-3/4"-16	3/4"-16 ORB	3.08	1.81	1.42
3/4"	PVEP-34F-NPT-3/4"	3/4" NPTF	3.34	1.97	1.61
3/4"	PVEP-34F-SAE-1-1/16"	1 1/16"-12 ORB	3.34	1.97	1.61
1"	PVEP-1F-NPT-1"	1" NPTF	3.93	2.17	1.80
1"	PVEP-1F-SAE-1-5/16"	1 5/16"-12 ORB	3.93	2.17	1.80
1 1/4"	PVEP-114F-NPT-1-1/4"	1 1/4" NPTF	4.40	2.56	2.16
1 1/4"	PVEP-114F-SAE-1-5/8"	1 5/8"-12 ORB	4.40	2.56	2.16
1 1/2"	PVEP-112F-NPT-1-1/2"	1 1/2" NPTF	5.65	3.34	2.55
1 1/2"	PVEP-112F-SAE-1-7/8"	1 7/8"-12 ORB	5.65	3.34	2.55

DUST CAP FOR COUPLER HALF

SIZE	PART NUMBER
1/2"	PCV-1/2"-SC
3/4"	PCV-3/4"-SC
1"	PCV-1"-SC
1 1/4"	PCV-1 1/4"-SC
1 1/2"	PCV-1 1/2"-SC



PLUG

BODY SIZE	PART NUMBER		DIMENSIONS (IN.)		
	STEEL	THREAD SIZE	C	D	HEX
1/2"	PVEP-12M-NPT-1/2"	1/2" NPTF	3.75	1.80	1.42
1/2"	PVEP-12M-SAE-3/4"-16	3/4"-16 ORB	3.75	1.80	1.42
3/4"	PVEP-34M-NPT-3/4"	3/4" NPTF	3.90	1.92	1.42
3/4"	PVEP-34M-SAE-1-1/16"	1 1/16"-12 ORB	3.90	1.92	1.42
1"	PVEP-1M-NPT-1"	1" NPTF	4.47	2.12	1.80
1"	PVEP-1M-SAE-1-5/16"	1 5/16"-12 ORB	4.47	2.12	1.80
1 1/4"	PVEP-114M-NPT-1-1/4"	1 1/4" NPTF	4.86	2.52	2.16
1 1/4"	PVEP-114M-SAE-1-5/8"	1 5/8"-12 ORB	4.86	2.52	2.16
1 1/2"	PVEP-112M-NPT-1-1/2"	1 1/2" NPTF	5.91	3.53	2.55
1 1/2"	PVEP-112M-SAE-1-7/8"	1 7/8"-12 ORB	5.91	3.53	2.55

DUST CAP FOR PLUG HALF

SIZE	PART NUMBER
1/2"	PCV-1/2"-PC
3/4"	PCV-3/4"-PC
1"	PCV-1"-PC
1 1/4"	PCV-1 1/4"-PC
1 1/2"	PCV-1 1/2"-PC



PVV Series

High Pressure

FEATURES

- Up to 17,000 PSI working pressure
- Solid bar stock
- Connect/disconnect under pressure
- Polyurethane body seal

APPLICATIONS

- Extreme pressure
- Hydraulic jacks
- High pressure test stands

INTERCHANGEABILITY

- Parker
- Faster
- Safeway
- Enerpac
- Dixon
- DNP
- Stucchi

MATERIALS

- Steel
- 316 Stainless Steel

SIZES

- 1/4" – 3/8"

TEMP. RATING

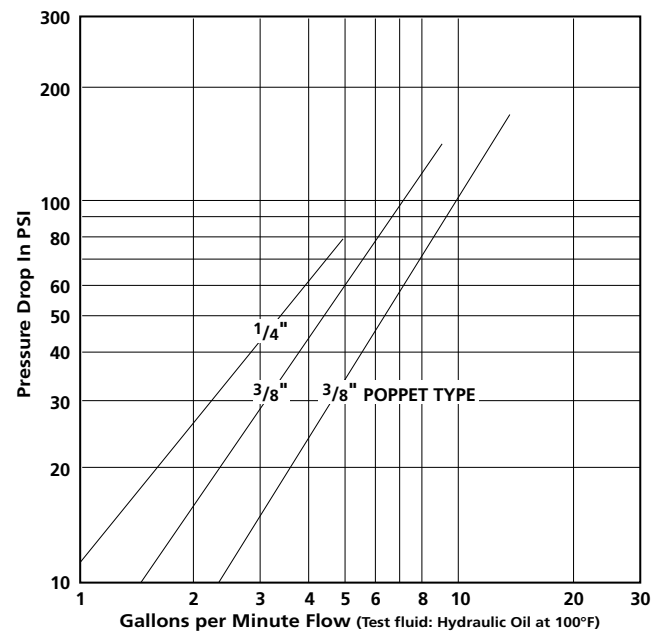
- -22°F to +230°F

RATED PRESSURE

- 10,000 PSI – Ball type – steel and 316 stainless steel
- 17,000 PSI – Poppet type – steel



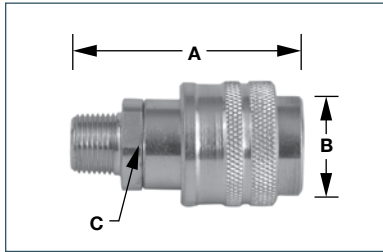
PERFORMANCE:



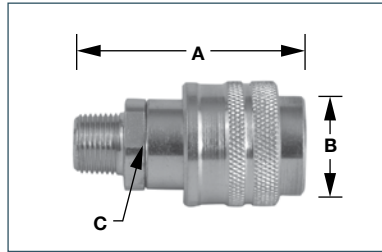
PVV Series

High Pressure Couplings

BALL TYPE (PVV)



POPPET TYPE (PVVP)

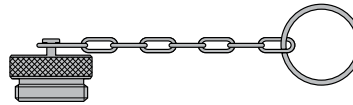


COUPLER

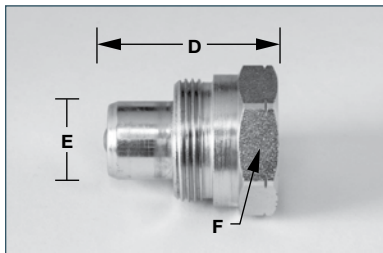
BODY SIZE	PART NUMBER		THREAD	DIMENSIONS (IN.)		
	STEEL	STAINLESS		A	B	C
1/4"	PVV-14-F		1/4" NPTF	2.09	1.18	.87
3/8"	PVV-38-F	PVV-38-F-SS	3/8" NPTF	2.54	1.38	.95
3/8"	PVVP-38-F		3/8" NPTF	2.20	1.38	1.06

DUST PROTECTOR FOR COUPLER (ALUMINUM)

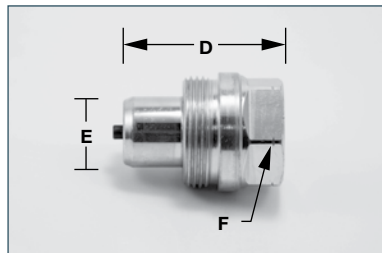
SIZE	PART NUMBER
1/4"	TMP-14
3/8"	TMP-38



BALL TYPE (PVV)



POPPET TYPE (PVVP)

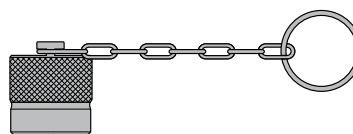


PLUG

BODY SIZE	PART NUMBER		THREAD	DIMENSIONS (IN.)		
	STEEL	STAINLESS		D	E	F
1/4"	PVV-14-M		1/4" NPTF	1.54	.62	.75
3/8"	PVV-38-M	PVV-38-M-SS	3/8" NPTF	1.59	.75	1.26
3/8"	PVVP-38-M		3/8" NPTF	1.67	.75	.87

DUST PROTECTOR FOR PLUG (ALUMINUM)

SIZE	PART NUMBER
1/4"	TFP-14
3/8"	TFP-38



TNV/TNL Series

FEATURES

- High concentration of locking balls
- Heavy knurled sleeve
- Stainless steel spring, balls and retaining ring
- Buna-N O-Rings and Teflon backup rings

APPLICATIONS

- General industry
- Construction
- Fluid transfer
- Transportation
- Chemical
- Oil and gas

MATERIALS

- Steel

SIZES

- 1/4" – 2"

TEMP. RATING

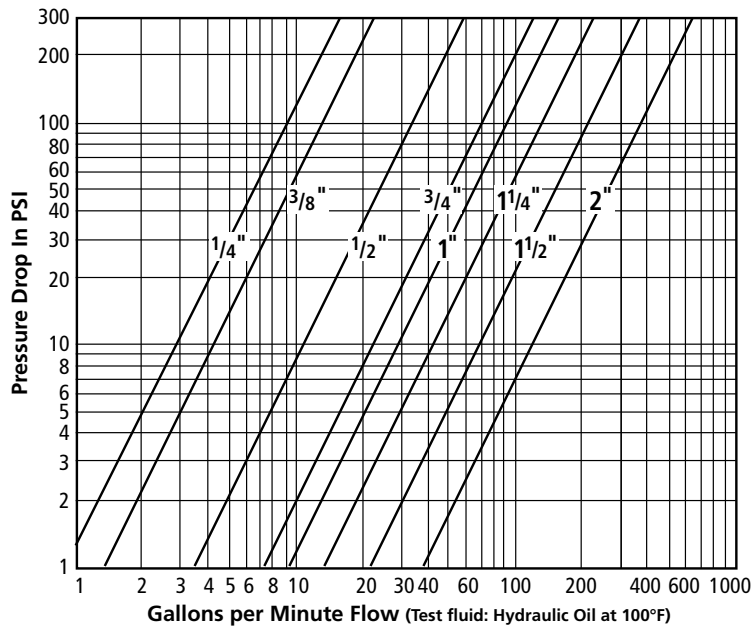
- -20°F to 215°F

INTERCHANGEABILITY

- Parker/Snap-Tite
- Dixon
- Faster



PERFORMANCE:



RATED PRESSURE (PSI) VALVED

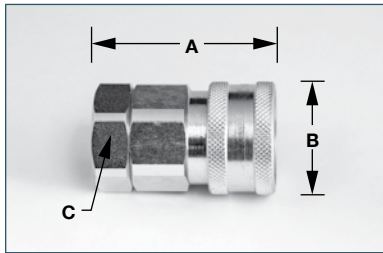
SIZE	STEEL
1/4"	6500
3/8"	4500
1/2"	4000
3/4"	3500
1"	2000
1 1/4"	1750
1 1/2"	1500
2"	1500

RATED PRESSURE (PSI) NON-VALVED

SIZE	STEEL
1/4"	11,000
3/8"	11,000
1/2"	11,000
3/4"	9000
1"	6000
1 1/4"	5000
1 1/2"	5000
2"	4000

TNV Series

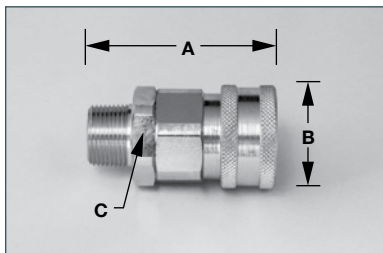
COUPLER – FEMALE THREADS



COUPLER

BODY SIZE	PART NUMBER		DIMENSIONS (IN.)		
	STEEL	THREAD	A	B	C
1/4"	TNV-04-F	1/4" NPTF	1.68	.99	.88
3/8"	TNV-06-F	3/8" NPTF	1.94	1.18	1.00
1/2"	TNV-08-F	1/2" NPTF	2.13	1.36	1.19
3/4"	TNV-12-F	3/4" NPTF	2.47	1.67	1.50
1"	TNV-16-F	1" NPTF	2.70	2.06	1.88
1 1/4"	TNV-20-F	1 1/4" NPTF	3.54	2.19	2.00
1 1/2"	TNV-24-F	1 1/2" NPTF	3.27	2.74	2.50
2"	TNV-32-F	2" NPTF	3.83	3.83	3.50

COUPLER – MALE THREADS

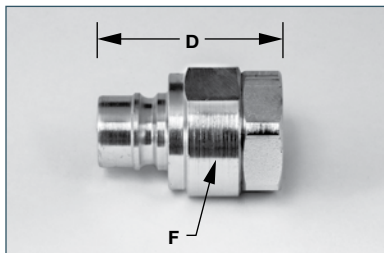


COUPLER

BODY SIZE	PART NUMBER		DIMENSIONS (IN.)		
	STEEL	THREAD	A	B	C
1/4"	TNV-04-F-02	1/4" NPTF	2.12	.99	.88
3/8"	TNV-06-F-02	3/8" NPTF	2.32	1.18	1.00
1/2"	TNV-08-F-02	1/2" NPTF	2.54	1.36	1.19
3/4"	TNV-12-F-02	3/4" NPTF	3.07	1.67	1.50
1"	TNV-16-F-02	1" NPTF	3.32	2.06	1.88
1 1/4"	TNV-20-F-02	1 1/4" NPTF	3.59	2.19	2.00
1 1/2"	TNV-24-F-02	1 1/2" NPTF	4.01	2.74	2.50
2"	TNV-32-F-02	2" NPTF	4.54	3.83	3.50

TNV Series

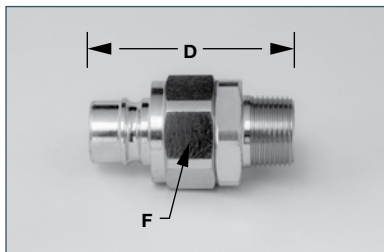
PLUG – FEMALE THREADS



PLUG

BODY SIZE	PART NUMBER		DIMENSIONS (IN.)	
	STEEL	THREAD	D	F
1/4"	TNV-04-M	1/4" NPTF	1.62	.88
3/8"	TNV-06-M	3/8" NPTF	1.87	1.00
1/2"	TNV-08-M	1/2" NPTF	1.99	1.19
3/4"	TNV-12-M	3/4" NPTF	2.31	1.50
1"	TNV-16-M	1" NPTF	2.60	1.88
1 1/4"	TNV-20-M	1 1/4" NPTF	3.41	2.00
1 1/2"	TNV-24-M	1 1/2" NPTF	3.41	2.50
2"	TNV-32-M	2" NPTF	3.72	3.50

PLUG – MALE THREADS



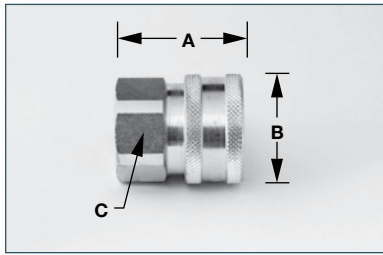
PLUG

BODY SIZE	PART NUMBER		DIMENSIONS (IN.)	
	STEEL	THREAD	D	F
1/4"	TNV-04-M-02	1/4" NPTF	2.05	.88
3/8"	TNV-06-M-02	3/8" NPTF	2.25	1.00
1/2"	TNV-08-M-02	1/2" NPTF	2.40	1.19
3/4"	TNV-12-M-02	3/4" NPTF	2.91	1.50
1"	TNV-16-M-02	1" NPTF	3.22	1.88
1 1/4"	TNV-20-M-02	1 1/4" NPTF	3.46	2.00
1 1/2"	TNV-24-M-02	1 1/2" NPTF	3.85	2.50
2"	TNV-32-M-02	2" NPTF	3.43	3.50

TNL Series

Non-Valved

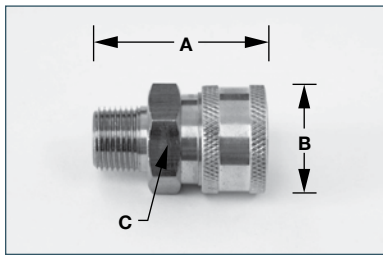
COUPLER – FEMALE THREADS



COUPLER

BODY SIZE	PART NUMBER		DIMENSIONS (IN.)		
	STEEL	THREAD	A	B	C
1/4"	TNL-04-F	1/4" NPTF	1.36	.99	.88
3/8"	TNL-06-F	3/8" NPTF	1.50	1.18	.88
1/2"	TNL-08-F	1/2" NPTF	1.64	1.37	1.19
3/4"	TNL-12-F	3/4" NPTF	1.96	1.67	1.50
1"	TNL-16-F	1" NPTF	2.10	1.99	1.81
1 1/4"	TNL-20-F	1 1/4" NPTF	2.28	2.19	2.00
1 1/2"	TNL-24-F	1 1/2" NPTF	2.57	2.74	2.50
2"	TNL-32-F	2" NPTF	2.48	3.56	3.25

COUPLER – MALE THREADS



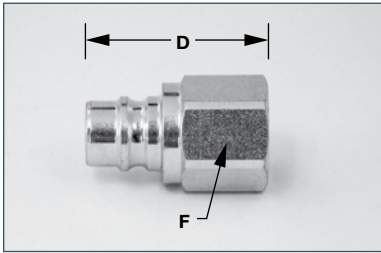
COUPLER

BODY SIZE	PART NUMBER		DIMENSIONS (IN.)		
	STEEL	THREAD	A	B	C
1/4"	TNL-04-F-02	1/4" NPTF	1.82	.99	.88
3/8"	TNL-06-F-02	3/8" NPTF	1.76	1.18	.88
1/2"	TNL-08-F-02	1/2" NPTF	2.03	1.37	1.19
3/4"	TNL-12-F-02	3/4" NPTF	2.29	1.67	1.50
1"	TNL-16-F-02	1" NPTF	2.39	1.99	1.81
1 1/4"	TNL-20-F-02	1 1/4" NPTF	2.78	2.19	2.00
1 1/2"	TNL-24-F-02	1 1/2" NPTF	3.08	2.74	2.50
2"	TNL-32-F-02	2" NPTF	3.10	3.56	3.25

TNL Series

Non-Valved

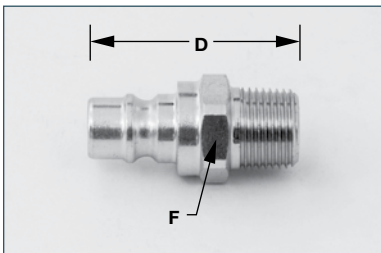
PLUG – FEMALE THREADS



PLUG

BODY SIZE	PART NUMBER		DIMENSIONS (IN.)	
	STEEL	THREAD	D	F
1/4"	TNL-04-M	1/4" NPTF	1.27	.63
3/8"	TNL-06-M	3/8" NPTF	1.41	.81
1/2"	TNL-08-M	1/2" NPTF	1.72	1.00
3/4"	TNL-12-M	3/4" NPTF	1.86	1.19
1"	TNL-16-M	1" NPTF	2.08	1.50
1 1/4"	TNL-20-M	1 1/4" NPTF	2.22	1.88
1 1/2"	TNL-24-M	1 1/2" NPTF	2.44	2.13
2"	TNL-32-M	2" NPTF	2.60	2.75

PLUG – MALE THREADS



PLUG

BODY SIZE	PART NUMBER		DIMENSIONS (IN.)	
	STEEL	THREAD	D	F
1/4"	TNL-04-M-02	1/4" NPTF	1.52	.63
3/8"	TNL-06-M-02	3/8" NPTF	1.72	.81
1/2"	TNL-08-M-02	1/2" NPTF	1.80	1.00
3/4"	TNL-12-M-02	3/4" NPTF	2.19	1.19
1"	TNL-16-M-02	1" NPTF	2.31	1.50
1 1/4"	TNL-20-M-02	1 1/4" NPTF	2.14	1.88
1 1/2"	TNL-24-M-02	1 1/2" NPTF	2.34	2.13
2"	TNL-32-M-02	2" NPTF	2.74	2.50

I Series

Industrial Interchange/Manual

FEATURES

- Ball lock
- Manual operation
- Rugged, reliable construction

APPLICATIONS

- General pneumatics
- Construction
- Industrial plants
- Fluid transfer
- Gas

INTERCHANGEABILITY

- A-A 59439 (former MIL-C-4109)
- Parker
- Dixon
- Tomco
- Foster
- Aeroquip

MATERIALS – COUPLER

- Brass body
- Nickel plated steel sleeve
- Steel valve
- Stainless springs
- Buna-N seals

MATERIALS – PLUG

- Zinc-plated steel, case-hardened

SIZES

- 1/4"

TEMP. RATING

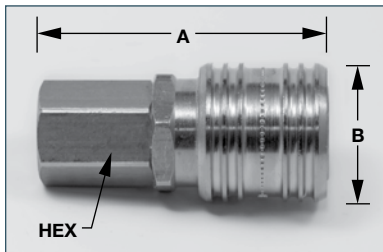
- -40°F to 250°F

RATED PRESSURE

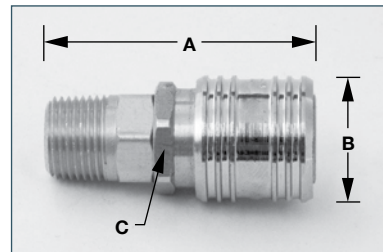
- 2000 PSI



FEMALE END CONNECTIONS MANUAL SLEEVE



MALE END CONNECTIONS MANUAL SLEEVE



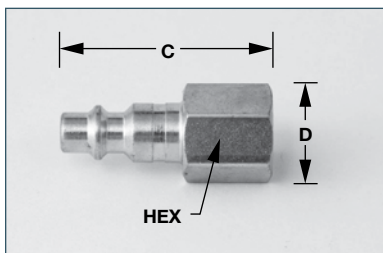
COUPLER

BODY SIZE	PART NUMBER		THREAD SIZE	DIMENSIONS (IN.)		
	STEEL	STAINLESS STEEL		A	B	HEX
1/4"	I-2803-M		1/8" NPTF	1.86	1.00	.69
1/4"	I-3003-M		1/4" NPTF	2.08	1.00	.69
1/4"		C-3003-M-SS	1/4" NPTF	2.08	1.00	.69
1/4"	I-3203-M		3/8" NPTF	2.16	1.00	.69

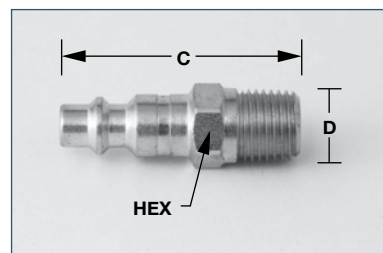
COUPLER

BODY SIZE	PART NUMBER		THREAD SIZE	DIMENSIONS (IN.)		
	STEEL	STAINLESS STEEL		A	B	HEX
1/4"	I-2903-M		1/8" NPTF	1.97	1.00	.69
1/4"	I-3103-M		1/4" NPTF	2.16	1.00	.69
1/4"		C-3103-M-SS	1/4" NPTF	2.16	1.00	.69
1/4"	I-3303-M		3/8" NPTF	2.12	1.00	.69

FEMALE END CONNECTIONS



MALE END CONNECTIONS



PLUG

BODY SIZE	PART NUMBER		THREAD SIZE	DIMENSIONS (IN.)		
	STEEL	STAINLESS STEEL		C	D	HEX
1/4"	I-13-3		1/8" NPTF	1.47	.65	.56
1/4"	I-11-3		1/4" NPTF	1.63	.79	.69
1/4"		C-11-3-SS	1/4" NPTF	1.63	.78	.69
1/4"	I-15-3		3/8" NPTF	1.69	.94	.81

PLUG

BODY SIZE	PART NUMBER		THREAD SIZE	DIMENSIONS (IN.)		
	STEEL	STAINLESS STEEL		C	D	HEX
1/4"	I-12-3		1/8" NPTF	1.59	.58	.50
1/4"	I-10-3		1/4" NPTF	1.75	.65	.56
1/4"		C-10-3-SS	1/4" NPTF	1.75	.65	.56
1/4"	I-14-3		3/8" NPTF	1.75	.79	.69

I Series

Industrial Interchange/Automatic Sleeve

FEATURES

- Easy, automatic push to connect
- Rugged, reliable construction

APPLICATIONS

- Industrial breathing air
- General pneumatics
- Maintenance and repair
- Fluid transfer

INTERCHANGEABILITY

- A-A 59439 (former MIL-C-4109)
- Parker
- Dixon
- Tomco
- Foster

MATERIALS – COUPLER

- Brass body and sleeve
- Steel valve
- Buna-N seals
- Stainless springs
- Stainless locking pins

MATERIALS – PLUG

- Zinc-plated steel, case-hardened
- Stainless

SIZES

- 1/4"

TEMP. RATING

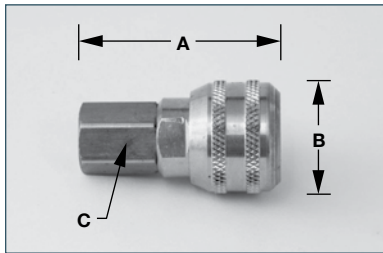
- -40°F to 250°F

RATED PRESSURE

- 1/4" – 2000 PSI



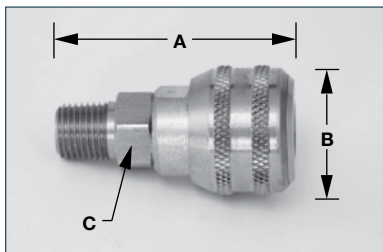
FEMALE END CONNECTIONS PUSH TO CONNECT SLEEVE



COUPLER

BODY SIZE	PART NUMBER		DIMENSIONS (IN.)		
	BRASS	THREAD SIZE	A	B	HEX
1/4"	I-2803-A	1/8" NPTF	1.89	1.19	.69
1/4"	I-3003-A	1/4" NPTF	2.11	1.19	.69
1/4"	I-3203-A	3/8" NPTF	2.19	1.19	.75

MALE END CONNECTIONS PUSH TO CONNECT SLEEVE



COUPLER

BODY SIZE	PART NUMBER		DIMENSIONS (IN.)		
	BRASS	THREAD SIZE	A	B	HEX
1/4"	I-2903-A	1/8" NPTF	2.00	1.19	.69
1/4"	I-3103-A	1/4" NPTF	2.19	1.19	.69
1/4"	I-3303-A	3/8" NPTF	2.15	1.19	.69

NOTE: See plugs on page 26.

A Series

Aro Interchange/Automatic Sleeve

FEATURES

- Automatic push to connect
- Pin lock design

APPLICATIONS

- Construction
- Maintenance and repair
- In plant/industrial
- Pneumatic tools

INTERCHANGEABILITY

- ARO 210

MATERIALS – COUPLER

- Carbon steel
- Hard drawn steel spring
- Buna-N valve washer
- Alloy steel locking pins

MATERIALS – PLUG

- Carbon steel

SIZES

- 1/4"

TEMP. RATING

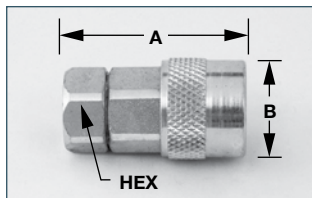
- -40°F to 200°F

RATED PRESSURE

- 250 PSI



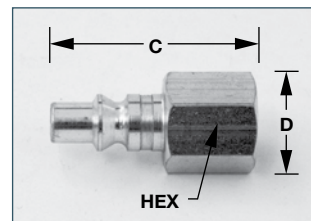
FEMALE END CONNECTIONS PUSH TO CONNECT SLEEVE



COUPLER

BODY SIZE	PART NUMBER		DIMENSIONS (IN.)		
	STEEL	THREAD SIZE	A	B	HEX
1/4"	A210-3003	1/4" NPTF	1.95	1.02	.69

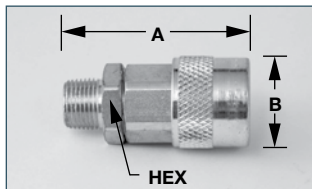
FEMALE END CONNECTIONS



PLUG

BODY SIZE	PART NUMBER		DIMENSIONS (IN.)		
	STEEL	THREAD SIZE	C	D	HEX
1/4"	A210-11	1/4" NPTF	1.55	.79	.69

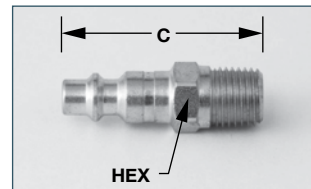
MALE END CONNECTIONS PUSH TO CONNECT SLEEVE



COUPLER

BODY SIZE	PART NUMBER		DIMENSIONS (IN.)		
	STEEL	THREAD SIZE	A	B	HEX
1/4"	A210-3103	1/4" NPTF	1.95	1.02	.69
1/4"	A210-3303	3/8" NPTF	1.91	1.02	.69

MALE END CONNECTIONS



PLUG

BODY SIZE	PART NUMBER		DIMENSIONS (IN.)	
	STEEL	THREAD SIZE	C	HEX
1/4"	A210-10	1/4" NPTF	1.55	.69

PT Series

TRUFLATE® Interchange

FEATURES

- Ball lock
- Manual operation
- Sleeve guard lip

APPLICATIONS

- General pneumatics
- Construction
- Industrial
- Fluid transfer

INTERCHANGEABILITY

- Parker Truflate
- Tomco A2100

MATERIALS – COUPLER

- 1/4" Brass body with steel sleeve
- Stainless springs
- Buna-N seals

MATERIALS – PLUG

- Steel

SIZES

- 1/4"

TEMP

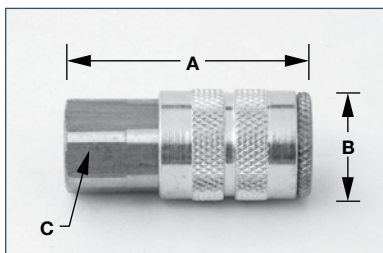
- -40°F to 250°F

RATED PRESSURE

- 500 PSI



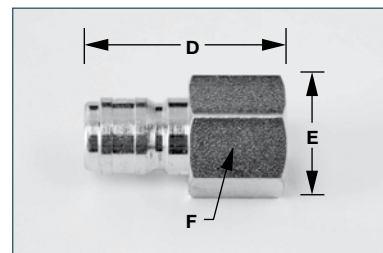
FEMALE END CONNECTIONS



COUPLER

BODY SIZE	PART NUMBER		DIMENSIONS (IN.)		
	BRASS	THREAD SIZE	A	B	C
1/4"	PT-2803-M	1/8" NPTF	1.83	.88	.75
1/4"	PT-3003-M	1/4" NPTF	2.04	.88	.75
1/4"	PT-3203-M	3/8" NPTF	2.14	.88	.81

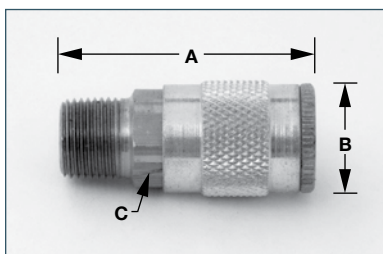
FEMALE END CONNECTIONS



PLUG

BODY SIZE	PART NUMBER		DIMENSIONS (IN.)		
	STEEL	THREAD SIZE	D	E	F
1/4"	PT-13	1/8" NPTF	1.34	.65	.56
1/4"	PT-11	1/4" NPTF	1.56	.79	.69
1/4"	PT-15	3/8" NPTF	1.56	1.01	.88

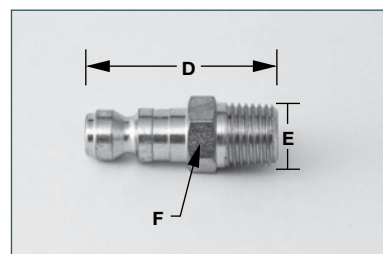
MALE END CONNECTIONS



COUPLER

BODY SIZE	PART NUMBER		DIMENSIONS (IN.)		
	BRASS	THREAD SIZE	A	B	C
1/4"	PT-2903-M	1/8" NPTF	1.88	.88	.75
1/4"	PT-3103-M	1/4" NPTF	2.04	.88	.75
1/4"	PT-3303-M	3/8" NPTF	2.08	.88	.81

MALE END CONNECTIONS



PLUG

BODY SIZE	PART NUMBER		DIMENSIONS (IN.)		
	STEEL	THREAD SIZE	D	E	F
1/4"	PT-12	1/8" NPTF	1.47	.58	.50
1/4"	PT-10	1/4" NPTF	1.59	.65	.56
1/4"	PT-14	3/8" NPTF	1.65	.79	.69

ST Series

Non-Valved Couplings

FEATURES

- Ball lock
- Manual operation
- Smooth bore permits free flow of liquid or gas

APPLICATIONS

- General industry
- Fluid transfer
- Chemical
- Food and beverage
- Injection molding
- Marine
- Pressure wash

INTERCHANGEABILITY

- Parker
- Dixon
- Tomco
- Foster

MATERIALS - COUPLER

- Brass
- Stainless Steel

MATERIALS - PLUG

- Brass
- Steel
- Stainless Steel

SIZES

- 1/8" to 1"

TEMP. RATING

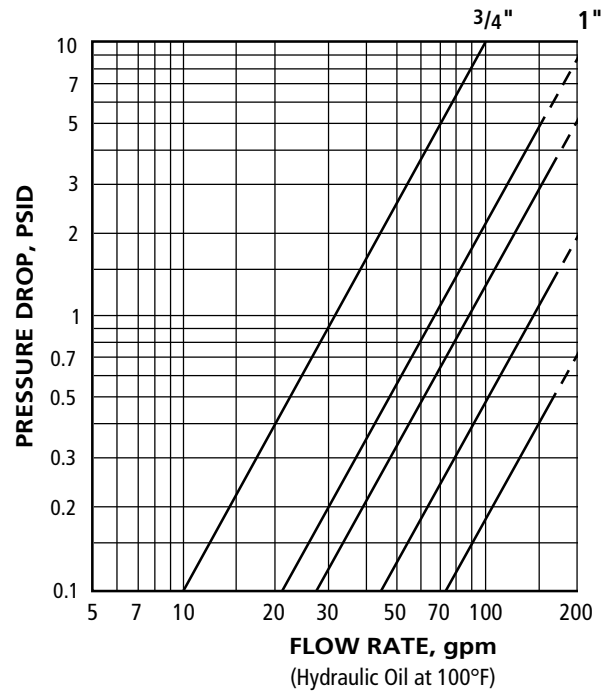
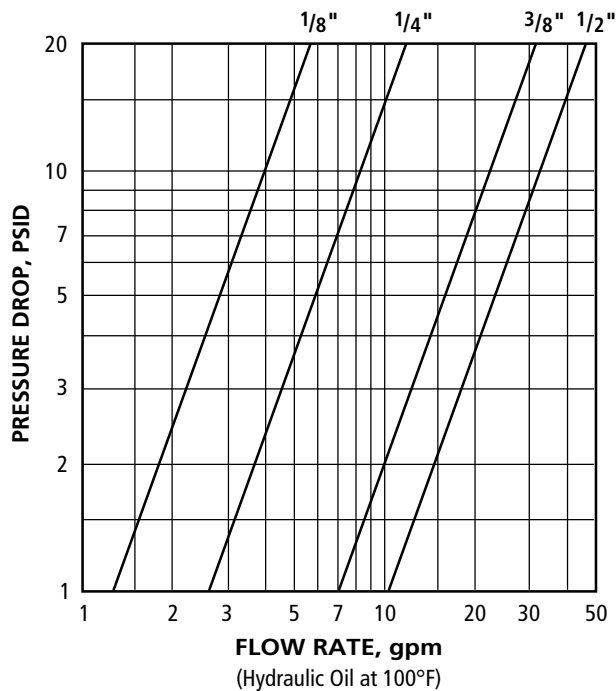
- -40°F to 250°F



RATED PRESSURE IN PSI

BODY SIZE	BRASS COUPLER BRASS PLUG	STAINLESS COUPLER STAINLESS PLUG	BRASS COUPLER STEEL PLUG
1/8"	2800	4200	3400
1/4"	5200	7500	5500
3/8"	2800	6300	4200
1/2"	2200	3600	3500
3/4"	1700	3000	2100
1"	1300	2000	2000

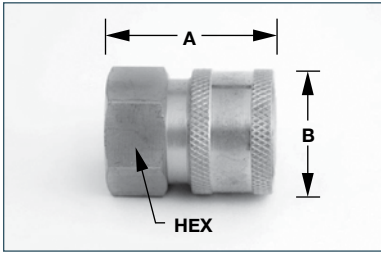
PERFORMANCE:



ST Series

Non-Valved

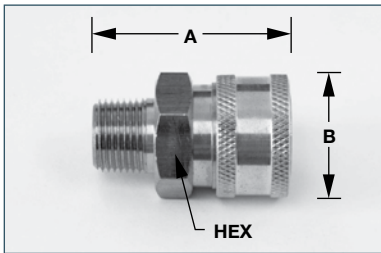
FEMALE THREADS



COUPLER

BODY SIZE	PART NUMBER		THREAD SIZE	DIMENSIONS (IN.)		
	BRASS	STAINLESS STEEL		A	B	HEX
1/8"	B18FC	SS18FC	1/8" NPTF	1.06	.72	.56
1/4"	B14FC	SS14FC	1/4" NPTF	1.50	.97	.81
3/8"	B38FC	SS38FC	3/8" NPTF	1.59	1.16	1.00
1/2"	B12FC	SS12FC	1/2" NPTF	1.91	1.34	1.13
3/4"	B34FC	SS34FC	3/4" NPTF	2.06	1.72	1.44
1"	B1FC	SS1FC	1" NPTF	2.33	2.03	1.75

MALE THREADS



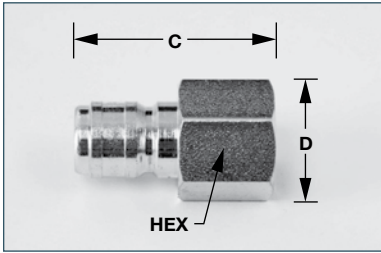
COUPLER

BODY SIZE	PART NUMBER		THREAD SIZE	DIMENSIONS (IN.)		
	BRASS	STAINLESS STEEL		A	B	HEX
1/8"	B18MC	SS18MC	1/8" NPTF	1.06	.72	.56
1/4"	B14MC	SS14MC	1/4" NPTF	1.72	.97	.81
3/8"	B38MC	SS38MC	3/8" NPTF	1.75	1.16	1.00
1/2"	B12MC	SS12MC	1/2" NPTF	2.03	1.34	1.13
3/4"	B34MC	SS34MC	3/4" NPTF	2.22	1.72	1.44
1"	B1MC	SS1MC	1" NPTF	2.53	2.03	1.75

ST Series

Non-Valved

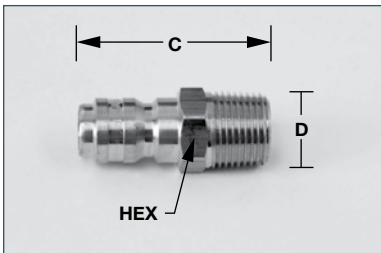
FEMALE THREADS



PLUG

BODY SIZE	PART NUMBER			THREAD SIZE	DIMENSIONS (IN.)		
	BRASS	STEEL	STAINLESS STEEL		C	D	HEX
1/8"	B18FP	18FP	SS18FP	1/8" NPTF	.97	.58	.50
1/4"	B14FP	14FP	SS14FP	1/4" NPTF	1.45	.79	.69
3/8"	B38FP	38FP	SS38FP	3/8" NPTF	1.63	.94	.81
1/2"	B12FP	12FP	SS12FP	1/2" NPTF	1.92	1.15	1.00
3/4"	B34FP	34FP	SS34FP	3/4" NPTF	2.01	1.37	1.19
1"	B1FP	1FP	SS1FP	1" NPTF	2.21	1.80	1.56

MALE THREADS



PLUG

BODY SIZE	PART NUMBER			THREAD SIZE	DIMENSIONS (IN.)		
	BRASS	STEEL	STAINLESS STEEL		C	D	HEX
1/8"	B18MP	18MP	SS18MP	1/8" NPTF	1.06	.51	.44
1/4"	B14MP	14MP	SS14MP	1/4" NPTF	1.56	.65	.56
3/8"	B38MP	38MP	SS38MP	3/8" NPTF	1.69	.79	.69
1/2"	B12MP	12MP	SS12MP	1/2" NPTF	2.01	1.01	.88
3/4"	B34MP	34MP	SS34MP	3/4" NPTF	2.20	1.23	1.06
1"	B1MP	1MP	SS1MP	1" NPTF	2.49	1.59	1.38

PPD Series

Diagnostic Couplings

FEATURES

- Non-spill design
- Push to connect sleeve
- Compliant with ISO-15171-1

APPLICATIONS

- Connect/disconnect pressure gauges to hydraulic systems, eliminating the need for permanent gauges

INTERCHANGEABILITY

- Parker
- Aeroquip
- Faster
- Dixon

MATERIALS

- Steel

SIZES

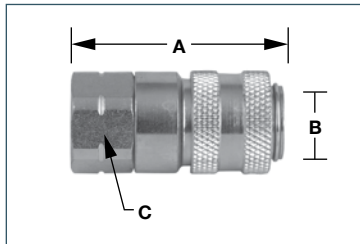
- 1/8" body size

TEMP. RATING

- -22°F to 212°F

RATED PRESSURE

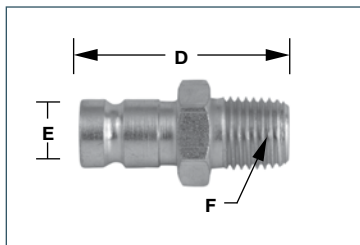
- 6000 PSI



COUPLER

BODY SIZE	PART NUMBER		DIMENSIONS (IN.)		
	BRASS	THREAD SIZE	A	B	C
1/8"	PPD02-N18F	1/8" NPTF	2.13	.67	.83
1/8"	PPD02-N14F	1/4" NPTF	2.13	.67	.83
1/8"	PPD02-N14F-02	1/4" NPTF	2.28	.67	.83

NOTE: -02 at end of part number denotes male thread.



PLUG

BODY SIZE	PART NUMBER		DIMENSIONS (IN.)		
	STEEL	THREAD SIZE	D	E	F
1/8"	PPD02-N18M	1/8" NPTF	1.88	.49	.67
1/8"	PPD02-N18M-02	1/8" NPTF	1.98	.49	.67
1/8"	PPD02-N14M	1/4" NPTF	1.88	.49	.67
1/8"	PPD02-N14M-02	1/4" NPTF	1.43	.49	.67
1/8"	PPD02-S716M-02	7/16" -20 ORB	1.93	.49	.67
1/8"	PPD02-S916M-02	9/16" -18 ORB	1.48	.49	.67

NOTE: -02 at end of part number denotes male thread.

H900 Series

Diagnostic Couplings/Micro Hoses

FEATURES

- Leak-proof connection
- Connect/disconnect under pressure up to 5800 PSI
- Self-locking metal cap
- Able to test systems at working pressure

APPLICATIONS

- Monitoring and control of pressure
- Venting
- Fluid sampling
- Remote testing

INTERCHANGEABILITY

- Stauff
- Parker

MATERIALS

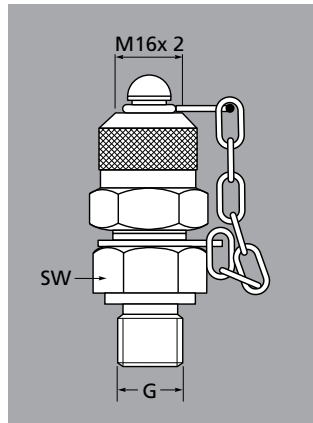
- Steel
- Stainless Steel

TEMP. RATING

- -22°F to 212°F

RATED PRESSURE

- 9000 PSI

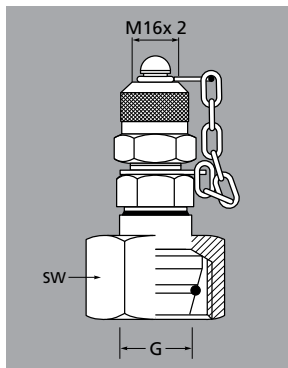


TEST CONNECTORS

PART NO.	THREAD (G)	HEX (SW)	MATERIAL
H900-01	M8 x 1	.67	STEEL
H900-10	5/16" -24 ORB	.67	STEEL
H900-11	7/16" -20 ORB	.67	STEEL
H900-11-SS	7/16" -20 ORB	.67	STAINLESS
H900-12	9/16" -18 ORB	.75	STEEL
H900-12-SS	9/16" -18 ORB	.75	STAINLESS
H900-20	1/8" NPT-Male	.67	STEEL
H900-21	1/4" NPT-Male	.75	STEEL
H900-21-SS	1/4" NPT-Male	.75	STAINLESS
H900-22	3/8" NPT-Male	.75	STEEL
H900-23	1/2" NPT-Male	.95	STEEL
H900-24	1/4" NPT-Male	.95	STEEL
H900-25	M10 x 1	.75	STEEL
H900-26	M12 x 1.5	.75	STEEL
H900-27	M14 x 1.5	.95	STEEL
H900-28	M16 x 1.5	.87	STEEL
H900-30	1/8" BSP-Male	.67	STEEL
H900-31	1/4" BSP-Male	.75	STEEL
H900-31-SS	1/4" BSP-Male	.75	STAINLESS
H900-32	3/8" BSP-Male	.87	STEEL
H900-33	1/2" BSP-Male	1.07	STEEL
H900-45	7/16" -20 ORB-Male	.75	STEEL
H900-49	7/16" -20 ORBF	.75	STEEL
H900-89	M16 x 2 Hose Union	.67	STEEL

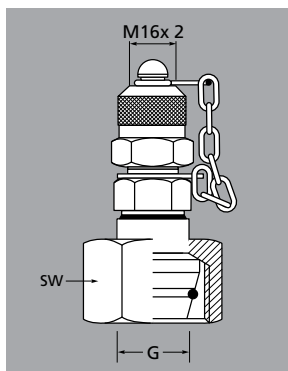
H900 Series

Diagnostic Couplings



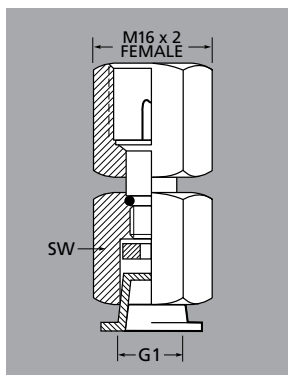
TEST CONNECTORS FOR COMPRESSION RING FITTINGS – LIGHT SERIES STEEL

PART NO.	CONNECTION (G)	TUBE SIZE	HEX (SW)
H900-51	M12 x 1.5	8	.66
H900-52	M14 x 1.5	10	.74
H900-53	M18 x 1.5	12	.87
H900-54	M22 x 1.5	15	1.06
H900-55	M26 x 1.5	18	1.26
H900-57	M36 x 2	28	1.61
H900-59	M52 x 2	42	2.36



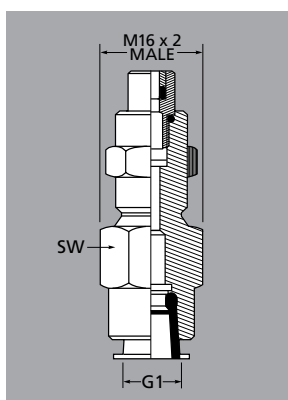
TEST CONNECTORS FOR COMPRESSION RING FITTINGS – HEAVY SERIES STEEL

PART NO.	CONNECTION (G)	TUBE SIZE	HEX (SW)
H900-60	M14 x 1.5	6	.66
H900-61	M16 x 1.5	8	.74
H900-62	M18 x 1.5	10	.87
H900-63	M20 x 1.5	12	.94
H900-65	M24 x 1.5	16	1.18



GAUGE ADAPTER M16 x 2 FEMALE

PART NO.	THREAD (G1)	HEX (SW)
H900-84	1/4" BSPP	.74
H900-85	1/2" BSPP	1.06
H900-86	1/4" NPTF	.74
H900-87	1/2" NPTF	1.06
H900-91	7/16" -20 ORB	.87

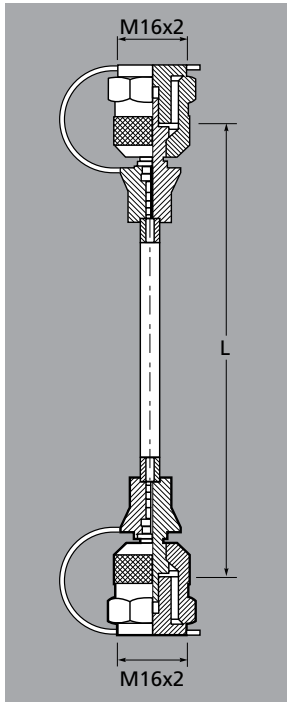


GAUGE ADAPTER M16 x 2 MALE

PART NO.	THREAD (G1)	HEX (SW)
H900-80	1/4" BSPP	.74
H900-81	1/2" BSPP	1.06
H900-82	1/4" NPTF	.74
H900-83	1/2" NPTF	1.06

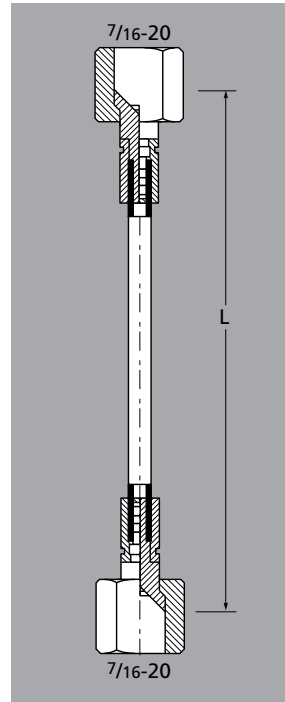
H900 Series

Diagnostic Micro Hoses



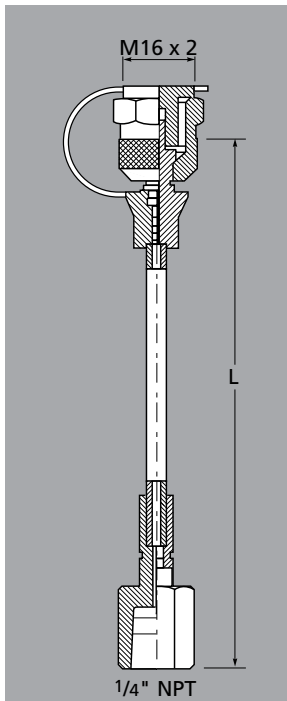
**MICRO HOSE M16 x 2
FEMALE x M16 x 2 FEMALE**

PART NO.	LENGTH (IN)
H900-92-08	8
H900-92-12	12
H900-92-16	16
H900-92-24	24
H900-92-30	30
H900-92-32	32
H900-92-40	40
H900-92-60	60
H900-92-78	78
H900-92-98	98
H900-92-130	130
H900-92-158	158
H900-92-197	197
H900-92-236	236



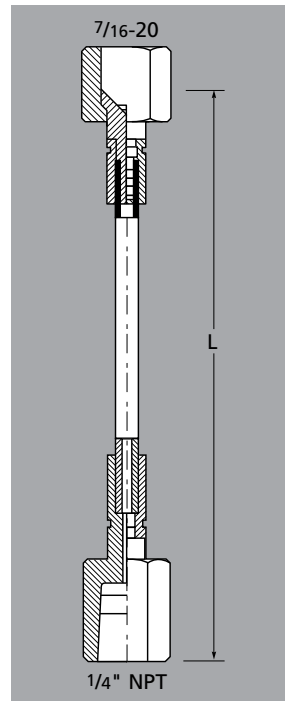
**MICRO HOSE 7/16-20
FEMALE x 7/16-20 FEMALE**

PART NO.	LENGTH (IN)
H900-994-08	8
H900-994-10	10
H900-994-12	12
H900-994-16	16
H900-994-18	18
H900-994-20	20
H900-994-24	24
H900-994-30	30
H900-994-32	32
H900-994-40	40
H900-994-60	60
H900-994-72	72
H900-994-78	78
H900-994-98	98
H900-994-125	125
H900-994-157	157



**MICRO HOSE M16 x 2
FEMALE x 1/4 NPT FEMALE**

PART NO.	LENGTH (IN)
H900-993-08	8
H900-993-10	10
H900-993-12	12
H900-993-16	16
H900-993-20	20
H900-993-24	24
H900-993-30	30
H900-993-32	32
H900-993-40	40
H900-993-60	60
H900-993-78	78
H900-993-98	98
H900-993-125	125
H900-993-157	157



**MICRO HOSE 7/16-20
FEMALE x 1/4 NPT FEMALE**

PART NO.	LENGTH (IN)
H900-995-08	8
H900-995-10	10
H900-995-12	12
H900-995-16	16
H900-995-18	18
H900-995-20	20
H900-995-24	24
H900-995-30	30
H900-995-32	32
H900-995-40	40
H900-995-60	60
H900-995-78	78
H900-995-98	98
H900-995-125	125
H900-995-157	157

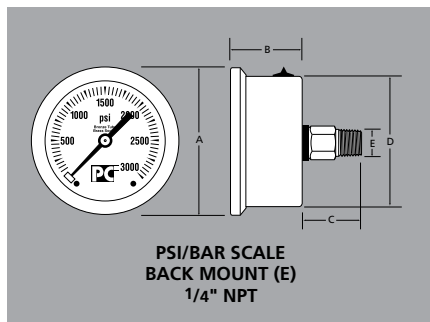
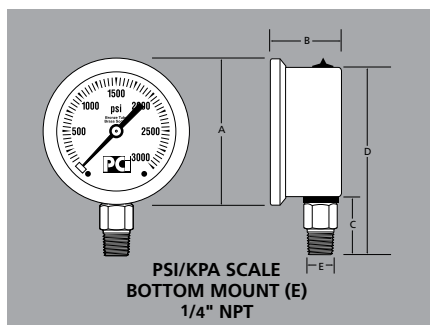
NOTE: Custom hose lengths available. Contact PCI.

PCLG Series

Liquid Filled 2 1/2" Stainless Case Pressure Gauges



PCLG SERIES



PART NUMBER	PRESSURE RANGE	A	B	C	D
PCLG - 30 - 0V	-30HG - 0 PSI	2.69	1.20	.84	3.30
PCLG - 3030 - C	-30HG - 30 PSI	2.69	1.20	.84	3.30
PCLG - 30P	0 - 30 PSI	2.69	1.20	.84	3.30
PCLG - 60P	0 - 60 PSI	2.69	1.20	.84	3.30
PCLG - 100P	0 - 100 PSI	2.69	1.20	.84	3.30
PCLG - 160P	0 - 160 PSI	2.69	1.20	.84	3.30
PCLG - 200P	0 - 200 PSI	2.69	1.20	.84	3.30
PCLG - 300P	0 - 300 PSI	2.69	1.20	.84	3.30
PCLG - 600P	0 - 600 PSI	2.69	1.20	.84	3.30
PCLG - 1000P	0 - 1000 PSI	2.69	1.20	.84	3.30
PCLG - 2000P	0 - 2000 PSI	2.69	1.20	.84	3.30
PCLG - 3000P	0 - 3000 PSI	2.69	1.20	.84	3.30
PCLG - 5000P	0 - 5000 PSI	2.69	1.20	.84	3.30
PCLG - 10,000P	0 - 10,000 PSI	2.69	1.20	.84	3.30
PCLG - 15,000P	0 - 15,000 PSI	2.69	1.20	.84	3.30

PART NUMBER	PRESSURE RANGE	A	B	C	D
PCLG - 30 - 0V - B	-30HG - 0 PSI	2.68	1.18	1.14	2.44
PCLG - 3030 - C - B	-30HG - 30 PSI	2.68	1.18	1.14	2.44
PCLG - 30P - B	0 - 30 PSI	2.68	1.18	1.14	2.44
PCLG - 60P - B	0 - 60 PSI	2.68	1.18	1.14	2.44
PCLG - 100P - B	0 - 100 PSI	2.68	1.18	1.14	2.44
PCLG - 160P - B	0 - 160 PSI	2.68	1.18	1.14	2.44
PCLG - 200P - B	0 - 200 PSI	2.68	1.18	1.14	2.44
PCLG - 300P - B	0 - 300 PSI	2.68	1.18	1.14	2.44
PCLG - 600P - B	0 - 600 PSI	2.68	1.18	1.14	2.44
PCLG - 1000P - B	0 - 1000 PSI	2.68	1.18	1.14	2.44
PCLG - 2000P - B	0 - 2000 PSI	2.68	1.18	1.14	2.44
PCLG - 3000P - B	0 - 3000 PSI	2.68	1.18	1.14	2.44
PCLG - 5000P - B	0 - 5000 PSI	2.68	1.18	1.14	2.44
PCLG - 10,000P - B	0 - 10,000 PSI	2.68	1.18	1.14	2.44

NOTE: Center back gauges include the panel clamp

ACCESSORIES

PART NUMBER	DESCRIPTION
PC - 02	PANEL FLANGE

CONSTRUCTION

- Stainless steel case
- Bronze bourdon tube
- Glycerine filled

ACCURACY

- 1.5% Full scale

TEMPERATURE

- -30°F – 160°F

Two-Way High Pressure Ball Valves

SPECIFICATIONS

- Block body
- Full port, sizes 1/4 - 1"
- Reduced port, sizes 1 1/4 - 1 1/2"
- NPT – ORB – BSP connections
- POM (Polyacetal) ball seats
- FKM/FPM O-Rings
- Black oxide coating
- Temp range -20°F to 215°F
- Nickel plated ball

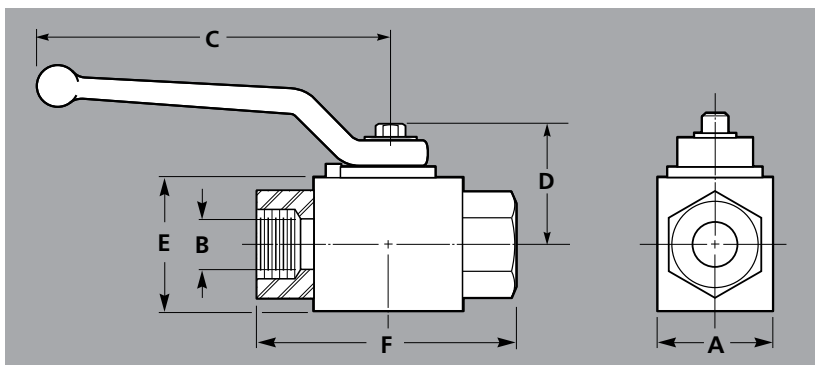
OPTIONS

- Lock kits
- Actuator packages
- Straight handles
- Red Aluminum handles
- Special ball seats and seals for higher temperature and aggressive applications
- Mounting holes



NBKH SERIES

SIZE	THREAD SIZE	PART NUMBER	WORKING PRESSURE		DIMENSIONS (IN.)					
			PSI	BAR	A	B	C	D	E	F
1/4"	1/4" NPTF	NBKH-14-NPT-1125	7350	500	1.02	.24	4.21	1.20	1.26	2.72
1/4"	1/4" BSPP	NBKH-14-BSP-1125	7350	500	1.02	.24	4.21	1.20	1.26	2.72
1/4"	7/16" -20 ORB	NBKH-14-SAE-1125	7350	500	1.02	.24	4.21	1.20	1.26	2.72
3/8"	3/8" NPTF	NBKH-38-NPT-1125	7350	500	1.26	.39	4.21	1.29	1.50	2.87
3/8"	3/8" BSPP	NBKH-38-BSP-1125	7350	500	1.26	.39	4.21	1.29	1.50	2.87
3/8"	9/16" -18 ORB	NBKH-38-SAE-1125	7350	500	1.26	.39	4.21	1.29	1.50	2.87
1/2"	1/2" NPTF	NBKH-12-NPT-1125	7350	500	1.38	.51	4.21	1.31	1.57	3.62
1/2"	1/2" BSPP	NBKH-12-BSP-1125	7350	500	1.38	.51	4.21	1.31	1.57	3.62
1/2"	3/4" -16 ORB	NBKH-12-SAE-1125	7350	500	1.38	.51	4.21	1.31	1.57	3.62
3/4"	3/4" NPTF	NBKH-34-NPT-1125	6000	415	1.93	.79	6.50	1.91	2.24	3.82
3/4"	3/4" BSPP	NBKH-34-BSP-1125	6000	415	1.93	.79	6.50	1.91	2.24	3.82
3/4"	1 1/16" -12 ORB	NBKH-34-SAE-1125	6000	415	1.93	.79	6.50	1.91	2.24	3.82
1"	1" NPTF	NBKH-1-NPT-1125	6000	415	2.36	.94	6.50	1.95	2.36	4.45
1"	1" BSPP	NBKH-1-BSP-1125	6000	415	2.36	.94	6.50	1.95	2.36	4.45
1"	1 5/16" -12 ORB	NBKH-1-SAE-1125	6000	415	2.36	.94	6.50	1.95	2.36	4.45
1x1 1/4"	1 1/4" NPTF	NBKH-114-NPT-1125	6000	415	2.36	.94	6.50	1.95	2.36	5.16
1x1 1/4"	1 1/4" BSPP	NBKH-114-BSP-1125	6000	415	2.36	.94	6.50	1.95	2.36	5.16
1x1 1/4"	1 5/8" -12 ORB	NBKH-114-SAE-1125	6000	415	2.36	.94	6.50	1.95	2.36	5.16
1x1 1/2"	1 1/2" NPTF	NBKH-112-NPT-1125	6000	415	2.36	.94	6.50	1.95	2.36	5.47
1x1 1/2"	1 1/2" BSPP	NBKH-112-BSP-1125	6000	415	2.36	.94	6.50	1.95	2.36	5.47
1x1 1/2"	1 7/8" -12 ORB	NBKH-112-SAE-1125	6000	415	2.36	.94	6.50	1.95	2.36	5.47



See page 55 for full safety information.

Two-Way

High Pressure Ball Valves

SPECIFICATIONS

- Block body
- Full port, sizes 1/4 - 1"
- Reduced port, sizes 1 1/4 - 1 1/2"
- NPT – ORB connections
- POM (Polyacetal) ball seats
- Buna-N O-Rings
- Zinc clear coating (RoHs compliant)
- Temp range -20°F to 215°F
- Nickel plated ball

OPTIONS

- Lock kits
- Actuator packages
- Straight handles
- Red Aluminum handles
- Special ball seats and seals for higher temperature and aggressive applications
- Mounting holes

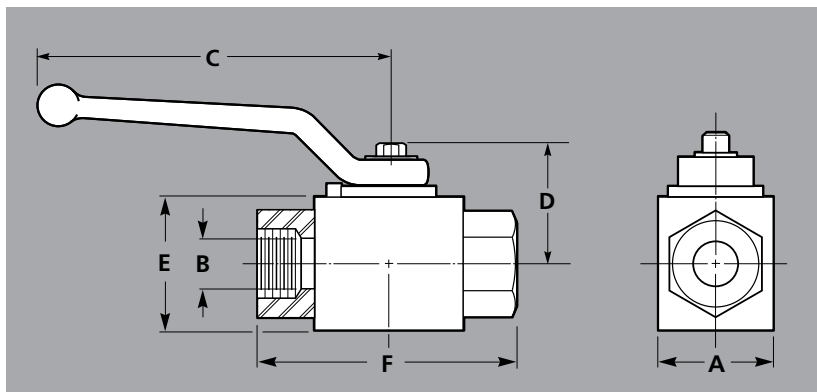


BKH SERIES

WORKING PRESSURE

DIMENSIONS (IN.)

SIZE	THREAD SIZE	PART NUMBER	PSI	BAR	A	B	C	D	E	F
1/4"	1/4" NPTF	BKH-14-NPT-1123-2	7350	500	1.02	.24	4.21	1.20	1.26	2.72
1/4"	7/16" -20 ORB	BKH-14-SAE-1123-2	7350	500	1.02	.24	4.21	1.20	1.26	2.72
3/8"	3/8" NPTF	BKH-38-NPT-1123-2	7350	500	1.26	.39	4.21	1.29	1.50	2.87
3/8"	9/16" -18 ORB	BKH-38-SAE-1123-2	7350	500	1.26	.39	4.21	1.29	1.50	2.87
1/2"	1/2" NPTF	BKH-12-NPT-1123-2	7350	500	1.38	.51	4.21	1.31	1.57	3.62
1/2"	3/4" -16 ORB	BKH-12-SAE-1123-2	7350	500	1.38	.51	4.21	1.31	1.57	3.62
3/4"	3/4" NPTF	BKH-34-NPT-1123-2	6000	415	1.93	.78	6.50	1.91	2.24	3.82
3/4"	1 1/16" -12 ORB	BKH-34-SAE-1123-2	6000	415	1.93	.78	6.50	1.91	2.24	3.82
1"	1" NPTF	BKH-1-NPT-1123-2	6000	415	2.36	.94	6.50	1.95	2.36	4.45
1"	1 5/16" -12 ORB	BKH-1-SAE-1123-2	6000	415	2.36	.94	6.50	1.95	2.36	4.45
1x1 1/4"	1 1/4" NPTF	BKH-114-NPT-1123-2	6000	415	2.36	.94	6.50	1.95	2.36	5.16
1x1 1/4"	1 5/8" -12 ORB	BKH-114-SAE-1123-2	6000	415	2.36	.94	6.50	1.95	2.36	5.16
1x1 1/2"	1 1/2" NPTF	BKH-112-NPT-1123-2	6000	415	2.36	.94	6.50	1.95	2.36	5.47
1x1 1/2"	1 7/8" -12 ORB	BKH-112-SAE-1123-2	6000	415	2.36	.94	6.50	1.95	2.36	5.47



See page 55 for full safety information.

Two-Way

High Pressure Ball Valves

SPECIFICATIONS

- Forged body
- Full port
- NPT – ORB – BSP connections
- POM (Polyacetal) ball seats
- FKM/FPM O-Rings
- Black oxide coating
- Temp range -20°F to 215°F
- Nickel plated ball

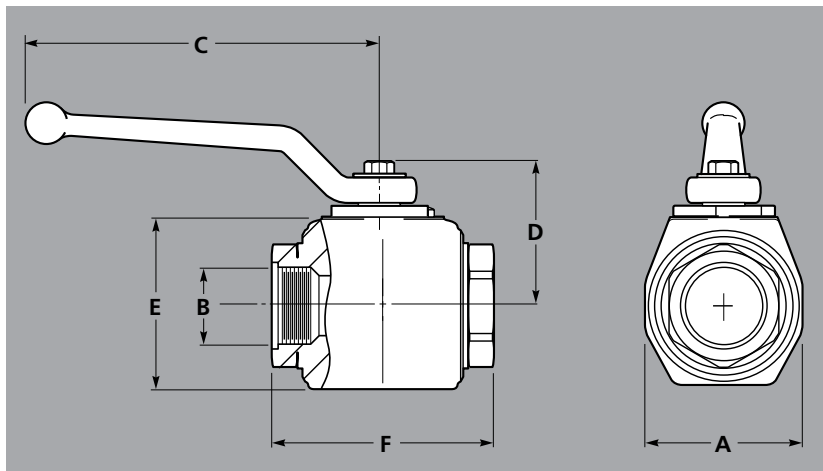
OPTIONS

- Lock kits
- Actuator packages
- Straight handles
- Red Aluminum handles
- Special ball seats and seals for higher temperature and aggressive applications



SKH SERIES

SIZE	THREAD SIZE	PART NUMBER	WORKING PRESSURE		DIMENSIONS (IN.)					
			PSI	BAR	A	B	C	D	E	F
1 1/4"	1 1/4" NPTF	SKH-114-NPT-3125	6000	415	2.99	1.26	8.30	2.10	3.30	4.50
1 1/4"	1 1/4" BSPP	SKH-114-BSP-3125	6000	415	2.99	1.26	8.30	2.10	3.30	4.50
1 1/4"	1 5/8" -12 ORB	SKH-114-SAE-3125	6000	415	2.99	1.26	8.30	2.10	3.30	4.50
1 1/2"	1 1/2" NPTF	SKH-112-NPT-3125	6000	415	3.27	1.50	8.30	2.73	3.62	5.30
1 1/2"	1 1/2" BSPP	SKH-112-BSP-3125	6000	415	3.27	1.50	8.30	2.73	3.62	5.30
1 1/2"	1 7/8" -12 ORB	SKH-112-SAE-3125	6000	415	3.27	1.50	8.30	2.73	3.62	5.30
2"	2" NPTF	SKH-2-NPT-3125	6000	415	3.94	1.89	8.50	3.15	4.37	5.50
2"	2" BSPP	SKH-2-BSP-3125	6000	415	3.94	1.89	8.50	3.15	4.37	5.50
2"	2 1/2" -12 ORB	SKH-2-SAE-3125	6000	415	3.94	1.89	8.50	3.15	4.37	5.50



See page 55 for full safety information.

Two-Way

High Pressure Ball Valves

SPECIFICATIONS

- Forged body
- Full port
- NPT – ORB connections
- POM (Polyacetal) ball seats
- Buna-N O-Rings
- Zinc clear coating (RoHs compliant)
- Temp range -20°F to 215°F
- Nickel plated ball

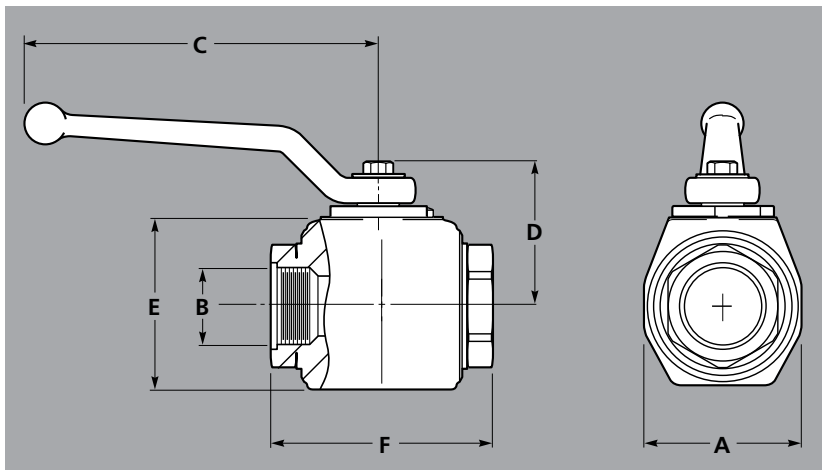
OPTIONS

- Lock kits
- Actuator packages
- Straight handles
- Red Aluminum handles
- Special ball seats and seals for higher temperature and aggressive applications



SKH SERIES

SIZE	THREAD SIZE	PART NUMBER	WORKING PRESSURE		DIMENSIONS (IN.)					
			PSI	BAR	A	B	C	D	E	F
1 1/4"	1 1/4" NPTF	SKH-114-NPT-3123-2	6000	415	2.99	1.26	8.30	2.60	3.30	4.50
1 1/4"	1 5/8" -12 ORB	SKH-114-SAE-3123-2	6000	415	2.99	1.26	8.30	2.60	3.30	4.50
1 1/2"	1 1/2" NPTF	SKH-112-NPT-3123-2	6000	415	3.27	1.50	8.30	2.73	3.62	5.30
1 1/2"	1 7/8" -12 ORB	SKH-112-SAE-3123-2	6000	415	3.27	1.50	8.30	2.73	3.62	5.30
2"	2" NPTF	SKH-2-NPT-3123-2	6000	415	3.94	1.89	8.50	3.15	4.37	5.50
2"	2 1/2" -12 ORB	SKH-2-SAE-3123-2	6000	415	3.94	1.89	8.50	3.15	4.37	5.50



See page 55 for full safety information.

HRKH Series

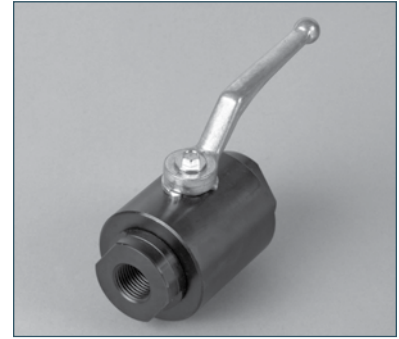
Ultra High-Pressure Ball Valves

SPECIFICATIONS

- Carbon steel
- NPT threads
- POM (Polyacetal) ball seats
- Buna-N O-Rings
- Temp range -20°F to 215°F
- Nickel plated ball

OPTIONS

- Actuator packages
- Straight handles
- Red aluminum handles
- Special ball seats and seals for higher temperature and aggressive applications



HRKH SERIES STEEL

SIZE	THREAD SIZE	PART NUMBER	WORKING PRESSURE		DIMENSIONS (IN.)					
			PSI	BAR	A	B	C	D	E	F
1/4"	1/4" NPTF	HRKH-14-NPT-3923	11,760	800	2.33	.24	4.21	1.61	2.33	3.86
3/8"	3/8" NPTF	HRKH-38-NPT-3923	11,760	800	2.33	.35	4.21	1.61	2.33	3.86
1/2"	1/2" NPTF	HRKH-12-NPT-3923	11,760	800	2.33	.35	4.21	1.61	2.33	3.86
3/4"	3/4" NPTF	HRKH-34-NPT-3923	11,760	800	3.11	.51	6.49	2.20	3.11	4.49
1"	1" NPTF	HRKH-1-NPT-3923	11,760	800	3.11	.67	6.49	2.50	3.70	4.73

SPECIFICATIONS

- 316 Stainless steel
- NPT threads
- POM (Polyacetal) ball seats
- FKM/FPM O-Rings
- Temp range -20°F to 215°F
- Stainless ball

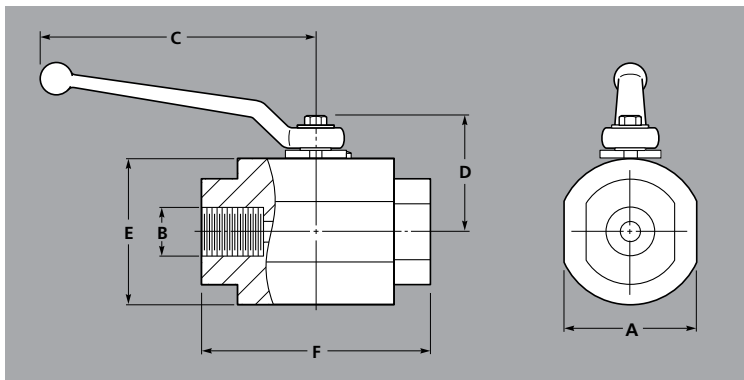
OPTIONS

- Actuator packages
- Stainless handles
- Red Aluminum handles
- Special ball seats and seals for higher temperature and aggressive applications



STAINLESS STEEL

SIZE	THREAD SIZE	PART NUMBER	WORKING PRESSURE		DIMENSIONS (IN.)					
			PSI	BAR	A	B	C	D	E	F
1/4"	1/4" NPTF	HRKH-14-NPT-4425	10,150	700	2.33	.24	4.21	1.61	2.33	3.86
3/8"	3/8" NPTF	HRKH-38-NPT-4425	10,150	700	2.33	.35	4.21	1.61	2.33	3.86
1/2"	1/2" NPTF	HRKH-12-NPT-4425	10,150	700	2.33	.35	4.21	1.61	2.33	3.86
3/4"	3/4" NPTF	HRKH-34-NPT-4425	10,150	700	3.11	.51	6.49	2.20	3.11	4.49
1"	1" NPTF	HRKH-1-NPT-4425	10,150	700	3.11	.67	6.49	2.50	3.70	4.73



See page 55 for full safety information.

RKH Series

316 Stainless Steel Ball Valves

SPECIFICATIONS

- All 316 Stainless steel body, stem & ball
- Full port
- NPT – ORB connections
- POM (Polyacetal) ball seats
- FKM/FPM O-Rings
- Temp range -20°F to 215°F

OPTIONS

- Lock kits
- Actuator packages*
- Stainless handles
- Red Aluminum handles
- Special ball seats and seals for higher temperature and aggressive applications

* Stem stabilizer needed (-D) before actuators can be mounted. Contact PCI for details.

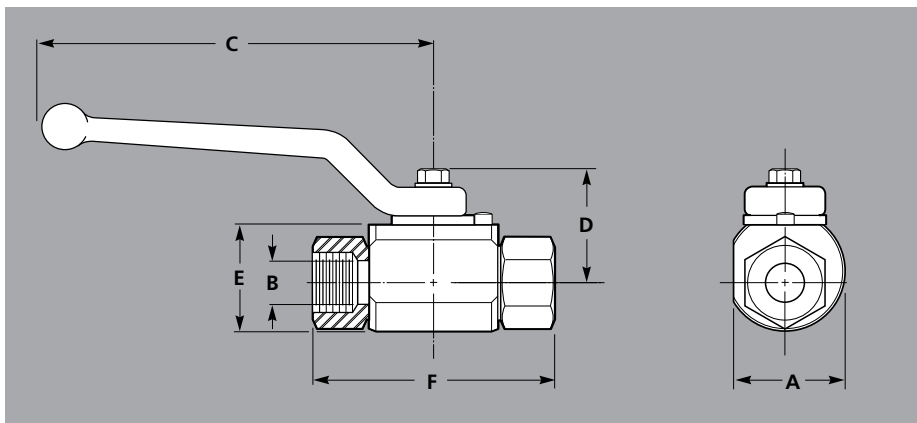


RKH SERIES

WORKING PRESSURE

DIMENSIONS (IN.)

SIZE	THREAD SIZE	PART NUMBER	PSI	BAR	A	B	C	D	E	F
1/4"	1/4" NPTF	RKH-14-NPT-4425	5880	400	1.02	.24	4.21	1.20	1.26	2.72
1/4"	7/16" -20 ORB	RKH-14-SAE-4425	5880	400	1.02	.24	4.21	1.20	1.26	2.72
3/8"	3/8" NPTF	RKH-38-NPT-4425	5880	400	1.26	.39	4.21	1.29	1.50	2.87
3/8"	9/16" -18 ORB	RKH-38-SAE-4425	5880	400	1.26	.39	4.21	1.29	1.50	2.87
1/2"	1/2" NPTF	RKH-12-NPT-4425	5880	400	1.38	.51	4.21	1.31	1.57	3.62
1/2"	3/4" -16 ORB	RKH-12-SAE-4425	5880	400	1.38	.51	4.21	1.31	1.57	3.62
3/4"	3/4" NPTF	RKH-34-NPT-4425	5145	350	1.93	.79	6.50	1.91	2.24	3.82
3/4"	1 1/16" -12 ORB	RKH-34-SAE-4425	5145	350	1.93	.79	6.50	1.91	2.24	3.82
1"	1" NPTF	RKH-1-NPT-4425	5145	350	2.36	.94	6.50	1.95	2.36	4.45
1"	1 5/16" -12 ORB	RKH-1-SAE-4425	5145	350	2.36	.94	6.50	1.95	2.36	4.45
1 1/4"	1 1/4" NPTF	RKH-114-NPT-4425	5880	400	3.54	1.25	8.30	2.59	3.30	6.54
1 1/4"	1 5/8" -12 ORB	RKH-114-SAE-4425	5880	400	3.54	1.25	8.30	2.59	3.30	6.54
1 1/2"	1 1/2" NPTF	RKH-112-NPT-4425	5880	400	3.26	1.49	8.30	2.73	3.62	7.14
1 1/2"	1 7/8" -12 ORB	RKH-112-SAE-4425	5880	400	3.26	1.49	8.30	2.73	3.62	7.14
2"	2" NPTF	RKH-2-NPT-4425	5880	400	3.94	1.89	8.50	3.15	4.37	9.30
2"	2 1/2" -12 ORB	RKH-2-SAE-4425	5880	400	3.94	1.89	8.50	3.15	4.37	9.30



See page 55 for full safety information.

Stecko and Super Stecko

Mining Ball Valves

SPECIFICATIONS

- Full port
- POM (Polyacetal) ball seats
- Buna-N O-Rings
- Temp range -20°F to 215°F
- Nickel plated ball

APPLICATION

- Long wall coal mining

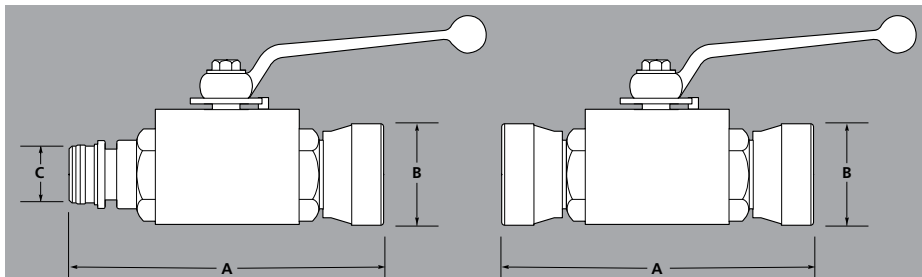


BBKH SERIES REGULAR STECKO

SIZE	CONNECTION	PART NUMBER	WORKING PRESSURE		DIMENSIONS (IN.)		
			PSI	BAR	A	B	C
1/4"	M x F	BBKH-06-1123-1-FM	7350	500	4.17	.98	.59
1/4"	F x F	BBKH-06-1123-1-FF	7350	500	4.17	.98	
3/8"	M x F	BBKH-10-1123-1-FM	7350	500	4.45	1.18	.79
3/8"	F x F	BBKH-10-1123-1-FF	7350	500	4.45	1.18	
1/2"	M x F	BBKH-13-1123-1-FM	7350	500	4.65	1.26	.94
1/2"	F x F	BBKH-13-1123-1-FF	7350	500	4.65	1.26	
3/4"	M x F	BBKH-20-1123-1-FM	5880	400	5.43	1.57	1.14
3/4"	F x F	BBKH-20-1123-1-FF	5880	400	5.43	1.57	
1"	M x F	BBKH-25-1123-1-FM	5145	350	5.94	2.17	1.54
1"	F x F	BBKH-25-1123-1-FF	5145	350	5.94	2.17	
1 1/4"	M x F	BBKH-32-3123-1-FM	5145	350	6.50	2.36	1.81
1 1/4"	F x F	BBKH-32-3123-1-FF	5145	350	6.54	2.36	
1 1/2"	M x F	BBKH-40-3123-1-FM	5145	350	8.54	2.76	2.20
1 1/2"	F x F	BBKH-40-3123-1-FF	5145	350	8.78	2.76	
2"	M x F	BBKH-50-3123-1-FM	5145	350	8.58	2.15	2.52
2"	F x F	BBKH-50-3123-1-FF	5145	350	9.37	3.15	

SUPER STECKO

SIZE	CONNECTION	PART NUMBER	WORKING PRESSURE		DIMENSIONS (IN.)		
			PSI	BAR	A	B	C
1 1/4"	M x F	BSKH-32-3123-1-FM-SS	5145	350	8.04	2.76	1.81
1 1/4"	F x F	BSKH-32-3123-1-FF-SS	5145	350	8.04	2.76	
1 1/2"	M x F	BSKH-40-3123-1-FM-SS	5145	350	8.98	3.25	2.15
1 1/2"	F x F	BSKH-40-3123-1-FF-SS	5145	350	8.67	3.25	
2"	M x F	BSKH-50-3123-1-FM-SS	5145	350	10.18	3.74	2.50
2"	F x F	BSKH-50-3123-1-FF-SS	5145	350	10.24	3.74	



See page 55 for full safety information.

Three-Way Diverter Valves

SPECIFICATIONS

- Block body
- Full port
- NPT – ORB connections
- POM (Polyacetal) ball seats
- Black oxide coating
- FKM/FPM O-Rings
- Temp range -20°F to 215°F
- Nickel plated ball

OPTIONS

- Lock kits
- Actuator packages
- Straight handles
- Red aluminum handles
- Special ball seats and seals for higher temperature and aggressive applications
- Stainless steel

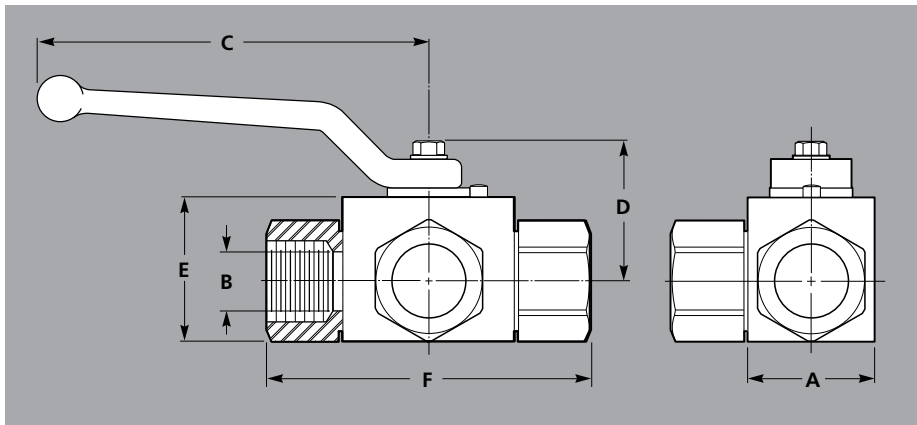


BK3 SERIES

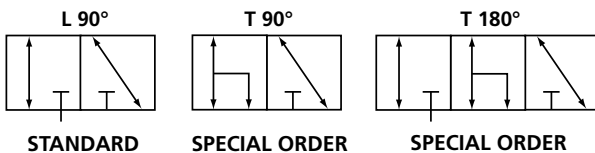
WORKING PRESSURE

DIMENSIONS (IN.)

SIZE	THREAD SIZE	PART NUMBER	PSI	BAR	A	B	C	D	E	F
1/4"	1/4" NPTF	BK3-14-NPT-1125-L	5880	400	1.02	.24	4.21	1.20	1.26	2.72
1/4"	7/16" -20 ORB	BK3-14-SAE-1125-L	5880	400	1.02	.24	4.21	1.20	1.26	2.72
3/8"	3/8" NPTF	BK3-38-NPT-1125-L	5880	400	1.26	.39	4.21	1.29	1.50	2.87
3/8"	9/16" -18 ORB	BK3-38-SAE-1125-L	5880	400	1.26	.39	4.21	1.29	1.50	2.87
1/2"	1/2" NPTF	BK3-12-NPT-1125-L	5145	350	1.38	.51	4.21	1.31	1.57	3.62
1/2"	3/4" -16 ORB	BK3-12-SAE-1125-L	5145	350	1.38	.51	4.21	1.31	1.57	3.62
3/4"	3/4" NPTF	BK3-34-NPT-1125-L	5145	350	1.93	.79	6.50	1.91	2.24	3.82
3/4"	1 1/16" -12 ORB	BK3-34-SAE-1125-L	5145	350	1.93	.79	6.50	1.91	2.24	3.82
1"	1" NPTF	BK3-1-NPT-1125-L	5145	350	2.36	.94	6.50	1.95	2.36	4.45
1"	1 5/16" -12 ORB	BK3-1-SAE-1125-L	5145	350	2.36	.94	6.50	1.95	2.36	4.45



NOTE: The sealing function of the BK3/SK3 standard valves is only given when the pressure standing on the closed port is less than or equal to the inlet pressure of the open port.



See page 55 for full safety information.

Three-Way Diverter Valves

SPECIFICATIONS

- Block body
- Full port
- NPT – ORB connections
- POM (Polyacetal) ball seats
- Buna O-Rings
- Zinc clear coating (ROHS compliant)
- Temp range -20°F to 215°F
- Nickel plated ball

OPTIONS

- Lock kits
- Actuator packages
- Straight handles
- Red aluminum handles
- Special ball seats and seals for higher temperature and aggressive applications
- Mounting holes
- Stainless steel

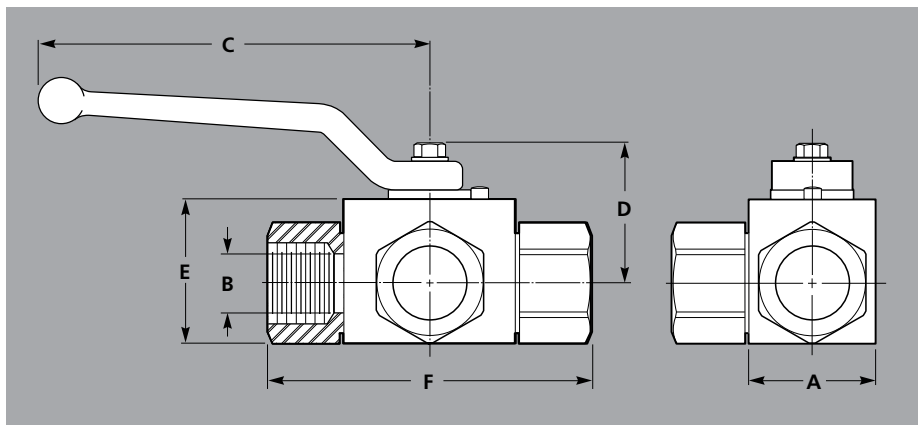


BK3 SERIES

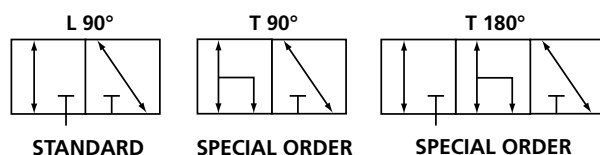
WORKING PRESSURE

DIMENSIONS (IN.)

SIZE	THREAD SIZE	PART NUMBER	PSI	BAR	A	B	C	D	E	F
1/4"	1/4" NPTF	BK3-14-NPT-1123-2-L	5880	400	1.02	.24	4.21	1.20	1.26	2.72
1/4"	7/16" -20 ORB	BK3-14-SAE-1123-2-L	5880	400	1.02	.24	4.21	1.20	1.26	2.72
3/8"	3/8" NPTF	BK3-38-NPT-1123-2-L	5880	400	1.26	.39	4.21	1.29	1.50	2.87
3/8"	9/16" -18 ORB	BK3-38-SAE-1123-2-L	5880	400	1.26	.39	4.21	1.29	1.50	2.87
1/2"	1/2" NPTF	BK3-12-NPT-1123-2-L	5145	350	1.38	.51	4.21	1.31	1.57	3.62
1/2"	3/4" -16 ORB	BK3-12-SAE-1123-2-L	5145	350	1.38	.51	4.21	1.31	1.57	3.62
3/4"	3/4" NPTF	BK3-34-NPT-1123-2-L	5145	350	1.93	.79	6.50	1.91	2.24	3.82
3/4"	1 1/16" -12 ORB	BK3-34-SAE-1123-2-L	5145	350	1.93	.79	6.50	1.91	2.24	3.82
1"	1" NPTF	BK3-1-NPT-1123-2-L	5145	350	2.36	.94	6.50	1.95	2.36	4.45
1"	1 5/16" -12 ORB	BK3-1-SAE-1123-2-L	5145	350	2.36	.94	6.50	1.95	2.36	4.45



NOTE: The sealing function of the BK3/SK3 standard valves is only given when the pressure standing on the closed port is less than or equal to the inlet pressure of the open port.



See page 55 for full safety information.

Three-Way Diverter Valves

SPECIFICATIONS

- Forged body
- Full port
- NPT – ORB connections
- POM (Polyacetal) ball seats
- Black oxide coating
- FKM/FPM O-Rings
- Temp range -20°F to 215°F
- Nickel plated ball

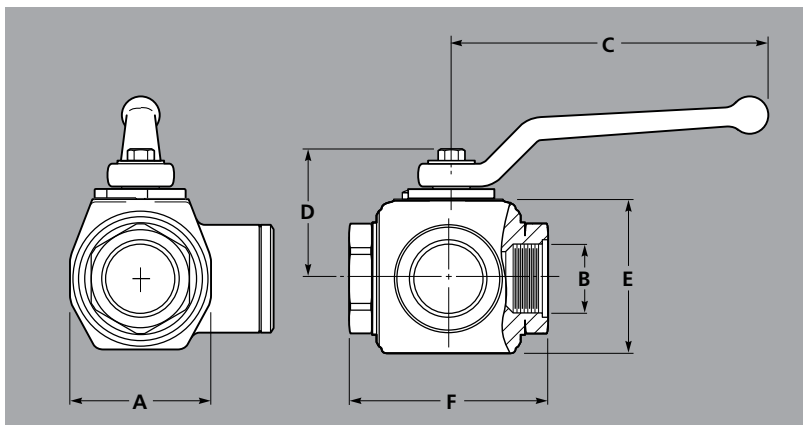
OPTIONS

- Lock kits
- Actuator packages
- Red aluminum handles
- Special ball seats and seals for higher temperature and aggressive applications
- Stainless steel

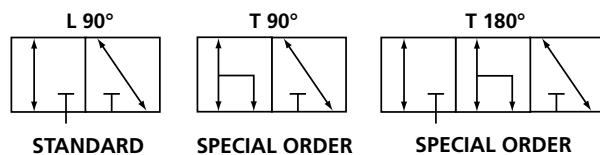


SK3 SERIES

SIZE	THREAD SIZE	PART NUMBER	WORKING PRESSURE		DIMENSIONS (IN.)					
			PSI	BAR	A	B	C	D	E	F
1 1/4"	1 1/4" NPTF	SK3-114-NPT-3125-L	5145	350	2.99	1.18	8.50	2.60	3.30	4.53
1 1/4"	1 5/8" -12 ORB	SK3-114-SAE-3125-L	5145	350	2.99	1.18	8.50	2.60	3.30	4.53
1 1/2"	1 1/2" NPTF	SK3-112-NPT-3125-L	5145	350	3.27	1.37	8.30	2.73	3.62	4.81
1 1/2"	1 7/8" -12 ORB	SK3-112-SAE-3125-L	5145	350	3.27	1.37	8.30	2.73	3.62	4.81
2"	2" NPTF	SK3-2-NPT-3125-L	5145	350	3.94	1.73	8.30	3.15	4.37	5.53
2"	2 1/2" -12 ORB	SK3-2-SAE-3125-L	5145	350	3.94	1.73	8.30	3.15	4.37	5.53



NOTE: The sealing function of the BK3/SK3 standard valves is only given when the pressure standing on the closed port is less than or equal to the inlet pressure of the open port.



See page 55 for full safety information.

Direct Mount

2-Way/3-Way Ball Valves

SPECIFICATIONS

- Block body
- Full port
- Code 62
- Direct mount
- POM (Polyacetal) ball seats
- FKM/FPM O-Rings
- Temp range -20°F to 215°F
- Nickel plated ball

OPTIONS

- Locking device
- Actuator packages
- Red aluminum handles
- Special ball seats and seals for higher temperature and aggressive applications



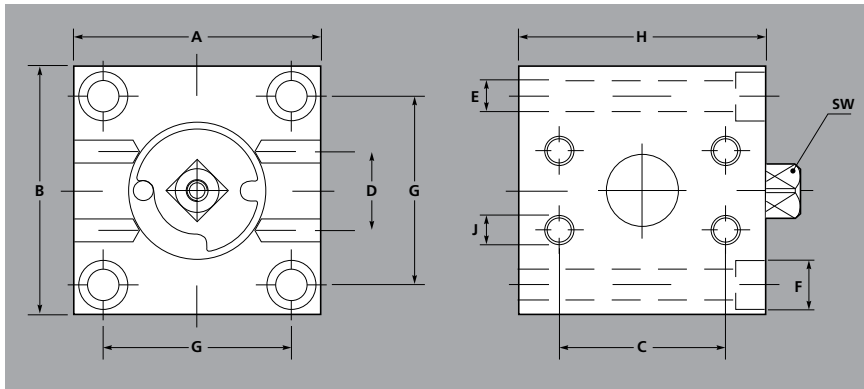
PV2 SERIES

PV3 SERIES

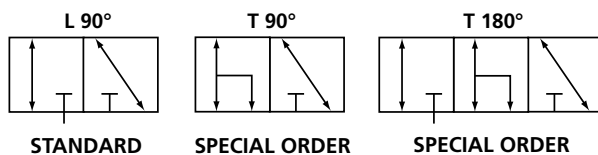
WORKING
PRESSURE

DIMENSIONS (IN.)

SIZE	PART NUMBER	PSI	BAR		A	B	C	D	E	F	G	H	J	SW
1/2"	PV2-13-SAE-6000-1125	5880	400	2	2.37	2.37	1.60	.72	.36	.59	1.70	2.21	M8	.36
1/2"	PV3-13-SAE-6000-1125	5880	400	3	2.37	2.37	1.60	.72	.36	.59	1.70	2.21	M8	.36
3/4"	PV2-20-SAE-6000-1125	5880	400	2	3.15	3.15	2.00	.94	.44	.71	2.37	2.84	M10	.56
3/4"	PV3-20-SAE-6000-1125	5880	400	3	3.15	3.15	2.00	.94	.44	.71	2.37	2.84	M10	.56
1"	PV2-25-SAE-6000-1125	5880	400	2	3.70	3.70	2.25	1.10	.44	.71	2.76	3.019	M12	.56
1"	PV3-25-SAE-6000-1125	5880	400	3	3.70	3.70	2.25	1.10	.44	.71	2.76	3.19	M12	.56
1 1/4"	PV2-32-SAE-6000-1125	5880	400	2	3.94	3.94	2.63	1.25	.50	.79	3.00	3.94	M14	.67
1 1/4"	PV3-32-SAE-6000-1125	5880	400	3	3.94	3.94	2.63	1.25	.50	.79	3.00	3.94	M14	.67
1 1/2"	PV2-40-SAE-6000-1125	5880	400	2	4.33	4.33	3.13	1.44	.50	.79	3.31	4.41	M16	.67
1 1/2"	PV3-40-SAE-6000-1125	5880	400	3	4.33	4.33	3.13	1.44	.50	.79	3.31	4.41	M16	.67
2"	PV2-50-SAE-6000-1125	5880	400	2	5.12	5.12	3.82	1.75	.50	.79	4.26	5.32	M20	.67
2"	PV3-50-SAE-6000-1125	5880	400	3	5.12	5.12	3.82	1.75	.50	.79	4.26	5.32	M20	.67



NOTE: The sealing function of the BK3/SK3 standard valves is only given when the pressure standing on the closed port is less than or equal to the inlet pressure of the open port.



See page 55 for full safety information.

Code 61/62

Split Flange Ball Valves

SPECIFICATIONS

- Block body
- Full port
- Code 61/62 split flange ends
- POM (Polyacetal) ball seats
- FKM/FPM O-Rings
- Temp range -20°F to 215°F
- Black oxide coating
- Nickel plated ball

OPTIONS

- Lock kits
- Actuator packages
- Straight handles
- Red aluminum handles
- Special ball seats and seals for higher temperature and aggressive applications
- Stainless steel



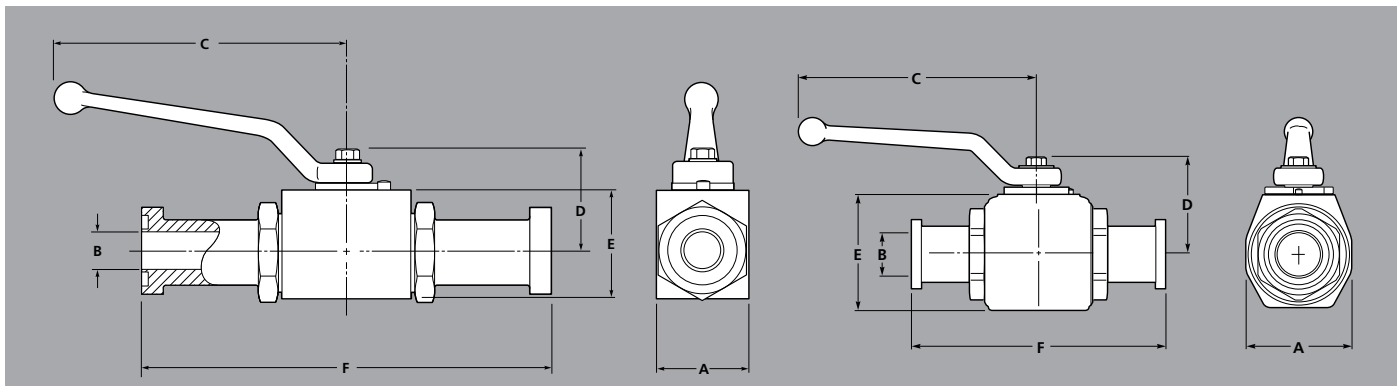
SPLIT FLANGE

WORKING PRESSURE

DIMENSIONS (IN.)

SIZE	PART NUMBER	CODE	FLANGE SIZE	PSI	BAR	A	B	C	D	E	F
1/2"	BKH-13-SAE-3000-S-1125	61	1/2"	4630	315	1.37	.49	4.21	1.32	1.57	5.95
1/2"	BKH-13-SAE-6000-S-1125	62	1/2"	5880	400	1.37	.49	4.21	1.32	1.57	5.95
3/4"	BKH-20-SAE-3000-S-1125	61	3/4"	4630	315	1.93	.75	6.50	1.90	2.24	6.38
3/4"	BKH-20-SAE-6000-S-1125	62	3/4"	5880	400	1.93	.75	6.50	1.90	2.24	6.38
1"	BKH-25-SAE-3000-S-1125	61	1"	4630	315	2.36	.95	6.50	1.95	2.36	7.01
1"	BKH-25-SAE-6000-S-1125	62	1"	5880	400	2.36	.95	6.50	1.95	2.36	7.80
1 1/4"	SKH-32-SAE-3000-S-3125	61	1 1/4"	3675	250	2.99	1.25	8.30	2.60	3.30	7.50
1 1/4"	SKH-32-SAE-6000-S-3125	62	1 1/4"	5880	400	2.99	1.25	8.30	2.60	3.30	8.78
1 1/2"	SKH-40-SAE-3000-S-3125	61	1 1/2"	2940	200	3.27	1.50	8.30	2.74	3.62	9.10
1 1/2"	SKH-40-SAE-6000-S-3125	62	1 1/2"	5880	400	3.27	1.50	8.30	2.74	3.62	11.07
2"	SKH-50-SAE-3000-S-3125	61	2"	2940	200	3.94	1.89	8.30	3.15	4.37	9.14
2"	SKH-50-SAE-6000-S-3125	62	2"	5880	400	3.94	1.89	8.30	3.15	4.37	12.44

NOTE: Sizes 1/2"-1" are block body, sizes 1 1/4"-2" are forged body.



BLOCK BODY SIZES 1/2"-1"

FORGED BODY SIZES 1 1/4"-2"



See page 55 for full safety information.

Code 61/62

Full Flange Ball Valves

SPECIFICATIONS

- Block body
- Full port
- Code 61/62 full flange ends
- POM (Polyacetal) ball seats
- Buna-N O-Rings
- Temp range -20°F to 215°F
- Black oxide coating
- Nickel plated ball

OPTIONS

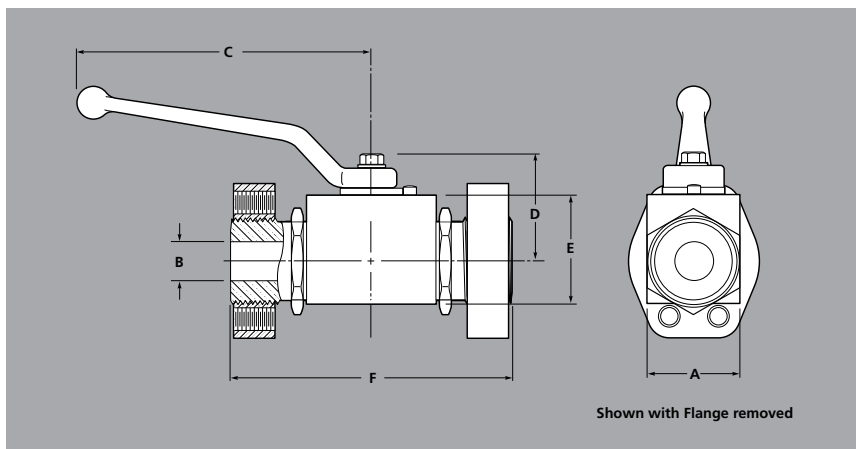
- Lock kits
- Actuator packages
- Straight handles
- Red aluminum handles
- Special ball seats and seals for higher temperature and aggressive applications
- Stainless steel



SIZE	PART NUMBER	CODE	FLANGE SIZE	WORKING PRESSURE		DIMENSIONS (IN.)							
				PSI	BAR	A	B	C	D	E	F	METRIC	UNC
1/2"	BKH-13-SAE-3000-F-1123	61	1/2"	4630	315	1.37	.49	4.21	1.32	1.57	4.09	M8	5/16"-18
1/2"	BKH-13-SAE-6000-F-1123	62	1/2"	5880	400	1.37	.49	4.21	1.32	1.57	4.09	M8	5/16"-18
3/4"	BKH-20-SAE-3000-F-1123	61	3/4"	4630	315	1.93	.75	6.50	1.90	2.24	4.76	M10	3/8"-16
3/4"	BKH-20-SAE-6000-F-1123	62	3/4"	5880	400	1.93	.75	6.50	1.90	2.24	4.76	M10	3/8"-16
1"	BKH-25-SAE-3000-F-1123	61	1"	4630	315	2.36	.95	6.50	1.95	2.36	5.24	M10	3/8"-16
1"	BKH-25-SAE-6000-F-1123	62	1"	5880	400	2.36	.95	6.50	1.95	2.36	5.24	M10	7/16"-14
1 1/4"	SKH-32-SAE-3000-F-3123	61	1 1/4"	3675	250	2.99	1.25	8.30	2.60	3.30	6.42	M10	7/16"-14
1 1/4"	SKH-32-SAE-6000-F-3123	62	1 1/4"	5880	400	2.99	1.25	8.30	2.60	3.30	6.42	M14	1/2"-13
1 1/2"	SKH-40-SAE-3000-F-3123	61	1 1/2"	2940	200	3.27	1.50	8.30	2.74	3.62	6.61	M12	1/2"-13
1 1/2"	SKH-40-SAE-6000-F-3123	62	1 1/2"	5880	400	3.27	1.50	8.30	2.74	3.62	6.61	M16	5/8"-11
2"	SKH-50-SAE-3000-F-3123	61	2"	2940	200	3.94	1.89	8.30	3.15	4.37	7.32	M12	3/4"-10
2"	SKH-50-SAE-6000-F-3123	62	2"	5880	400	3.94	1.89	8.30	3.15	4.37	7.32	M20	3/4"-10

NOTE: Valves come standard with metric bolt holes.

NOTE: Sizes 1/2"-1" are block body, sizes 1 1/4"-2" are forged body.



See page 55 for full safety information.

Code 61/62

Split x Full Flange Combination Ball Valves

SPECIFICATIONS

- Block body
- Full port
- Code 61/62 full flange ends
- POM (Polyacetal) ball seats
- Buna-N O-Rings
- Temp range -20°F to 215°F
- Black oxide coating
- Nickel plated ball

OPTIONS

- Lock kits
- Actuator packages
- Straight handles
- Red aluminum handles
- Special ball seats and seals for higher temperature and aggressive applications
- Stainless steel



SPLIT x FULL FLANGE

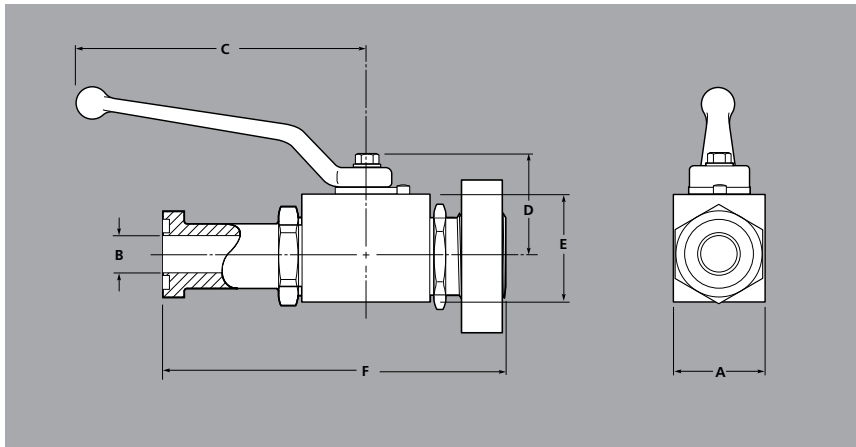
WORKING PRESSURE

DIMENSIONS (IN.)

SIZE	PART NUMBER	CODE	FLANGE SIZE	PSI	BAR	A	B	C	D	E	F	METRIC	UNC
1/2"	BKH-13-SAE-3000-D/S-1123	61	1/2"	4630	315	1.37	.49	4.21	1.32	1.57	5.02	M8	5/16"-18
1/2"	BKH-13-SAE-6000-D/S-1123	62	1/2"	5880	400	1.37	.49	4.21	1.32	1.57	5.02	M8	5/16"-18
3/4"	BKH-20-SAE-3000-D/S-1123	61	3/4"	4630	315	1.93	.75	6.50	1.90	2.24	5.57	M10	3/8"-16
3/4"	BKH-20-SAE-6000-D/S-1123	62	3/4"	5880	400	1.93	.75	6.50	1.90	2.24	5.81	M10	3/8"-16
1"	BKH-25-SAE-3000-D/S-1123	61	1"	4630	315	2.36	.95	6.50	1.95	2.36	6.31	M10	3/8"-16
1"	BKH-25-SAE-6000-D/S-1123	62	1"	5880	400	2.36	.95	6.50	1.95	2.36	6.52	M10	7/16"-14
1 1/4"	SKH-32-SAE-3000-D/S-3123	61	1 1/4"	3675	250	2.99	1.25	8.30	2.60	3.30	6.95	M10	7/16"-14
1 1/4"	SKH-32-SAE-6000-D/S-3123	62	1 1/4"	5880	400	2.99	1.25	8.30	2.60	3.30	7.00	M14	1/2"-13
1 1/2"	SKH-40-SAE-3000-D/S-3123	61	1 1/2"	2940	200	3.27	1.50	8.30	2.74	3.62	7.86	M12	1/2"-13
1 1/2"	SKH-40-SAE-6000-D/S-3123	62	1 1/2"	5880	400	3.27	1.50	8.30	2.74	3.62	8.86	M16	5/8"-11
2"	SKH-50-SAE-3000-D/S-3123	61	2"	2940	200	3.94	1.89	8.30	3.15	4.37	8.32	M12	1/2"-13
2"	SKH-50-SAE-6000-D/S-3123	62	2"	5880	400	3.94	1.89	8.30	3.15	4.37	9.89	M20	3/4"-10

NOTE: Valves come standard with metric bolt holes.

NOTE: Sizes 1/2"-1" are block body, sizes 1 1/4"-2" are forged body.



See page 55 for full safety information.

FCKH Series

Direct Mount Flanged Ball Valves

SPECIFICATIONS

- 1" - 4" sizes
- Floating ball
- Code 61/62 connections
- POM (Polyacetal) ball seats
- Buna-N O-Rings
- Temp range -20°F to 215°F

APPLICATIONS

- Hydraulic
- Gas industry
- Environmental industry
- Petrochemical

OPTIONS

- Lock kits
- Actuator packages
- Stainless steel



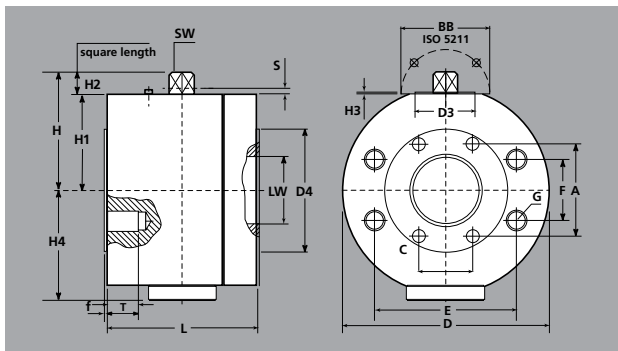
DIRECT MOUNT

CODE 61/62 COMBINATION

WORKING PRESSURE

DIMENSIONS (IN.)

SIZE	PART NUMBER	PSI	BAR	L	D	H	H1	H2	SW	D3	E	F	G METRIC
1"	FCKH-DN25-SAE-3/6-3123-1	5880	400	3.5	4.69	2.46	1.76	.59	.56	2.17	2.26	1.10	M12
1 1/4"	FCKH-DN32-SAE-3/6-3123-1	5880	400	4.5	5.48	3.15	2.30	.73	.67	1.38	2.63	1.26	M14
1 1/2"	FCKH-DN40-SAE-3/6-3123-1	5880	400	4.5	6.26	3.32	2.48	.73	.67	1.38	3.13	1.44	M16
2"	FCKH-DN50-SAE-3/6-3123-1	5880	400	5.0	7.05	3.62	2.77	.73	.67	1.38	3.82	1.76	M20

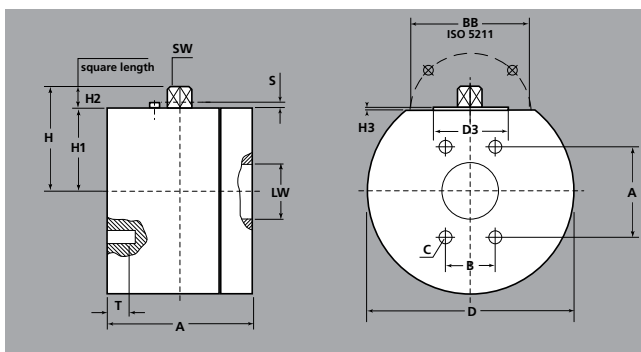


CODE 61

WORKING PRESSURE

DIMENSIONS (IN.)

SIZE	PART NUMBER	PSI	BAR	L	D	D4	F	H	H1	H2	SW	A	B	G METRIC
2 1/2"	FCKH-DN65-SAE-3000-3123-1	2300	160	5.9	7.37	4.57	.02	4.37	3.51	.83	.75	3.50	2.00	M12
3"	FCKH-DN80-SAE-3000-3123-1	2300	160	6.9	8.15	5.59	.02	4.96	3.90	1.03	.87	4.19	2.44	M16
4"	FCKH-DN100-SAE-3000-3123-1	500	35	7.5	9.73	6.78	.02	5.83	4.51	1.22	1.07	5.13	3.07	M20



See page 55 for full safety information.

High Pressure Ball Valve Accessories

LOCK KITS

PART NUMBER	DESCRIPTION	MATERIAL
LK-1	Fits 1/4" -1/2" BKH-BK3 valves	Steel with black oxide coating
LK-1-C	Fits 1/4" -1/2" BKH-BK3 valves	Steel with zinc clear coating
LK-1-SS	Fits 1/4" -1/2" RKH valves	Stainless Steel
LK-2	Fits 3/4" -1 1/2" BKH-BK3 valves	Steel with black oxide coating
LK-2-C	Fits 3/4" -1 1/2" BKH-BK3 valves	Steel with zinc clear coating
LK-2-SS	Fits 3/4" -1" RKH valves	Stainless Steel
LK-3	Fits 1 1/4" -2" SKH-SK3 valves	Steel with black oxide coating
LK-3-C	Fits 1 1/4" -2" SKH-SK3 valves	Steel with zinc clear coating
LK-3-SS	Fits 1 1/4" -2" RKH valves	Stainless Steel



HANDLES

PART NUMBER	DESCRIPTION
SW-09-S	Steel cranked handle for 9mm (.36") stem
SW-09-A	Red Aluminum handle for 9mm (.36") stem
SW-09-SS	Stainless Steel handle for 9mm (.36") stem
SW-14-S	Steel cranked handle for 14mm (.56") stem
SW-14-A	Red Aluminum handle for 14mm (.56") stem
SW-14-SS	Stainless Steel handle for 14mm (.56") stem
SW-17-S	Steel cranked handle for 17mm (.67") stem
SW-17-A	Red Aluminum handle for 17mm (.67") stem



NOTE: Handles come with screws.

SEAL KITS

PART NUMBER	DESCRIPTION
BKH-14-KIT-1123	Seal kit Polyacetal/Buna
BKH-14-KIT-1125	Seal kit Polyacetal/FKM/FPM
BKH-38-KIT-1123	Seal kit Polyacetal/Buna
BKH-38-KIT-1125	Seal kit Polyacetal/FKM/FPM
BKH-12-KIT-1123	Seal kit Polyacetal/Buna
BKH-12-KIT-1125	Seal kit Polyacetal/FKM/FPM
BKH-34-KIT-1123	Seal kit Polyacetal/Buna
BKH-34-KIT-1125	Seal kit Polyacetal/FKM/FPM
BKH-1-KIT-1123	Seal kit Polyacetal/Buna
BKH-1-KIT-1125	Seal kit Polyacetal/FKM/FPM
SKH-114-KIT-3123	Seal kit Polyacetal/Buna
SKH-114-KIT-3125	Seal kit Polyacetal/FKM/FPM
SKH-112-KIT-3123	Seal kit Polyacetal/Buna
SKH-112-KIT-3125	Seal kit Polyacetal/FKM/FPM
SKH-2-KIT-3123	Seal kit Polyacetal/Buna
SKH-2-KIT-3125	Seal kit Polyacetal/FKM/FPM



NOTE: Other seat and seal kits available. Contact PCI for details.



See page 55 for full safety information.

High Pressure Ball Valves

with Actuators and Limit Switches

We offer a wide range of Ball Valves with actuators and limit switches. Contact us today with your requirements.



Please use the following guidelines when requesting a quote:

- Type of actuator (electric, hydraulic or pneumatic?)
- Operation (double acting or spring return?)
- Media? Needs to be specific.
- Maximum system pressure?
- Temperature?
- Environmental (is weatherproofing required?)
- Send all inquiries to sales@pressurecomponents.com



See page 55 for full safety information.

High Pressure Ball Valves

Quality Information/Warnings

All high pressure ball valves on pages 38 through 52 are manufactured in Germany by Pister® Kugelhähne GmbH.

Pister strives to demonstrate the high quality and reliability of its products. The safety standard is demonstrated through the BAM-Seal, DVGW approval and Vds production and automobile registration. Pister is a certified ISO 9001-2000 company.

A quality management system ensures that the organizational, commercial and technical operations that effect the design quality of our products are planned, controlled and monitored, and that contractually agreed requirements will be met.

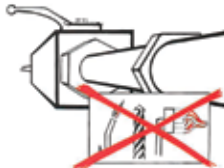
QUALITY CERTIFICATION



Secure adaptor during installation.



No welding, drilling, etc.



Don't operate a ball valve with a tool or an extension.



Don't remove under pressure.



Don't dismantle.



Failure or improper selection or improper use of any of the products and/or systems found in this catalog can cause death, personal injury and/or property damage.

This catalogue and other information from PISTER-Kugelhähne GmbH provides product options for further investigation by users having technical expertise. It is important that you analyze all aspects of your application and review the information concerning the product in the current product catalogue. Due to the variety of operating conditions and applications for these products, the user, through its own analysis and testing, is solely responsible for making the final selection of the products and assuring that all performance, safety and warning requirements of the application are met. The products described herein, including without limitation, product features, specifications, designs, availability and pricing, are subject to change by PISTER-Kugelhähne GmbH at any time without notice.

MPV Series

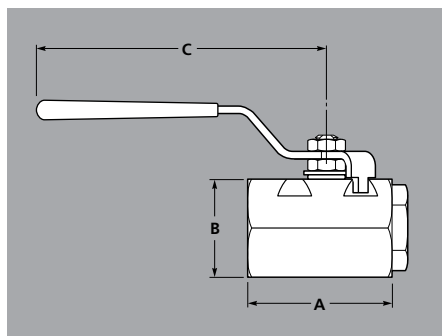
Medium Pressure Ball Valves

SPECIFICATIONS

- Steel body from barstock
- Carbon/Graphite filled PTFE seats and seals
- Full port

TEMP. RATING

- -20°F to 425°F



MPV SERIES

WORKING PRESSURE DIMENSIONS (IN.)

SIZE	PART NUMBER	THREAD SIZE	PSI	BAR	A	B	C
1/4"	MPV-14-NPT	1/4" NPT	3000	205	2.00	1.06	3.78
1/4"	MPV-14-SAE	7/16" -20 ORB	3000	205	2.00	1.06	3.78
3/8"	MPV-38-NPT	3/8" NPT	3000	205	2.00	1.06	3.78
3/8"	MPV-38-SAE	9/16" -18 ORB	3000	205	2.00	1.06	3.78
1/2"	MPV-12-NPT	1/2" NPT	3000	205	2.72	1.62	4.78
1/2"	MPV-12-SAE	3/4" -16 ORB	3000	205	2.72	1.62	4.78
3/4"	MPV-34-NPT	3/4" NPT	3000	205	3.49	1.88	4.78
3/4"	MPV-34-SAE	1 1/16" -12 ORB	3000	205	3.49	1.88	4.78
1"	MPV-1-NPT	1" NPT	3000	205	3.93	2.50	6.10
1"	MPV-1-SAE	1 5/16" -12 ORB	3000	205	3.93	2.50	6.10

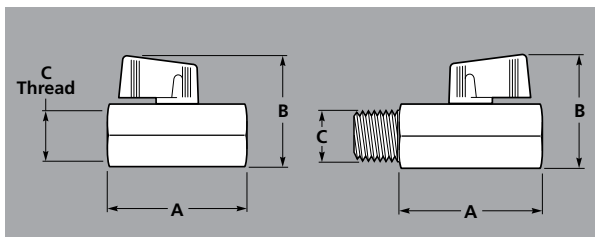
383 Series – Low Pressure Mini Ball Valves

SPECIFICATIONS

- One piece body
- Blow-out proof stem
- FPM O-Rings
- PTFE seats

TEMP. RATING

- 4°F to 200°F



383 SERIES

DIMENSIONS (IN.)

SIZE	PART NUMBER	THREAD (C)	PSI	A	B
1/8"	383N-18-NPT	1/8" F x 1/8" F NPTF	450	1.71	1.50
1/8"	383M-18-NPT	1/8" F x 1/8" M NPTF	450	1.71	1.50
1/4"	383N-14-NPT	1/4" F x 1/4" F NPTF	450	1.71	1.50
1/4"	383M-14-NPT	1/4" F x 1/4" M NPTF	450	1.71	1.50
3/8"	383N-38-NPT	3/8" F x 3/8" F NPTF	450	1.71	1.50
3/8"	383M-38-NPT	3/8" F x 3/8" M NPTF	450	1.71	1.50
1/2"	383N-12-NPT	1/2" F x 1/2" F NPTF	450	2.10	1.73
1/2"	383M-12-NPT	1/2" F x 1/2" M NPTF	450	2.10	1.73

171N Series

Low Pressure Brass Ball Valves

SPECIFICATIONS

- Full port
- Blow-out proof stem
- PTFE seats, seals, washer
- Chrome plated Brass ball
- UL listed

TEMP. RATING

- -22°F to 366°F



REGULAR HANDLE



LOCKING HANDLE

REGULAR HANDLE

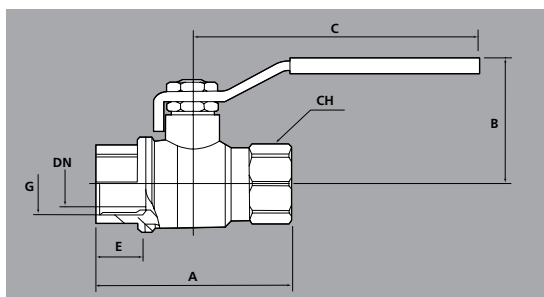
DIMENSIONS (IN.)

SIZE	THREAD SIZE	PART NUMBER	PSI	DN	B	A	C	E	CH
1/4"	1/4" NPTF	171N-14-NPT	600	.39	1.92	1.75	3.54	.46	.78
3/8"	3/8" NPTF	171N-38-NPT	600	.41	1.92	1.75	3.54	.46	.78
1/2"	1/2" NPTF	171N-12-NPT	600	.58	2.08	2.05	3.54	.52	.78
3/4"	3/4" NPTF	171N-34-NPT	600	.74	2.30	2.36	3.78	.56	1.20
1"	1" NPTF	171N-1-NPT	600	.94	2.68	2.75	4.52	.66	1.50
1 1/4"	1 1/4" NPTF	171N-114-NPT	600	1.26	3.14	3.30	4.52	.70	1.82
1 1/2"	1 1/2" NPTF	171N-112-NPT	600	1.57	3.61	3.66	5.51	.72	2.09
2"	2" NPTF	171N-2-NPT	600	1.97	3.68	4.18	5.51	.74	2.12
2 1/2"	2 1/2" NPTF	171N-212-NPT	400	2.52	4.76	5.38	8.66	1.01	3.36
3"	3" NPTF	171N-3-NPT	400	2.95	5.08	6.04	8.66	1.11	3.86
4"	4" NPTF	171N-4-NPT	400	3.89	5.86	7.38	9.00	1.22	4.89

LOCKING HANDLE

DIMENSIONS (IN.)

SIZE	THREAD SIZE	PART NUMBER	PSI	DN	B	A	C	E	CH
1/4"	1/4" NPTF	171N-14-NPT-LH	600	.39	1.83	2.02	3.78	.39	.78
3/8"	3/8" NPTF	171N-38-NPT-LH	600	.39	1.83	2.02	3.78	.39	.78
1/2"	1/2" NPTF	171N-12-NPT-LH	600	.59	1.99	2.44	3.78	.53	.98
3/4"	3/4" NPTF	171N-34-NPT-LH	600	.79	2.48	2.71	4.84	.55	1.22
1"	1" NPTF	171N-1-NPT-LH	600	.98	2.64	3.07	4.84	.66	1.49
1 1/4"	1 1/4" NPTF	171N-114-NPT-LH	600	1.29	3.15	3.42	5.94	.68	1.88
1 1/2"	1 1/2" NPTF	171N-112-NPT-LH	600	1.57	3.38	3.89	5.94	.68	2.12
2"	2" NPTF	171N-2-NPT-LH	600	1.96	3.74	4.33	6.30	.69	2.63
2 1/2"	2 1/2" NPTF	171N-212-NPT-LH	450	2.56	5.02	5.59	8.11	.93	3.54
3"	3" NPTF	171N-3-NPT-LH	450	3.15	5.45	6.45	8.11	1.02	4.13
4"	4" NPTF	171N-4-NPT-LH	450	3.94	6.56	7.60	10.28	1.09	5.12



SLB Series

Low Pressure Stainless Steel Ball Valves

SPECIFICATIONS

- 316 Stainless body, ball and stem
- Pure PTFE seats
- Blow-out proof stems
- Lock handle standard
- Full port

TEMP. RATING

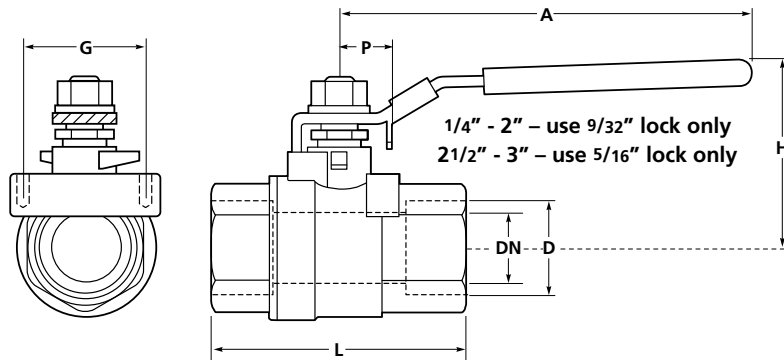
- -20°F to 350°F



SLB SERIES

DIMENSIONS (IN.)

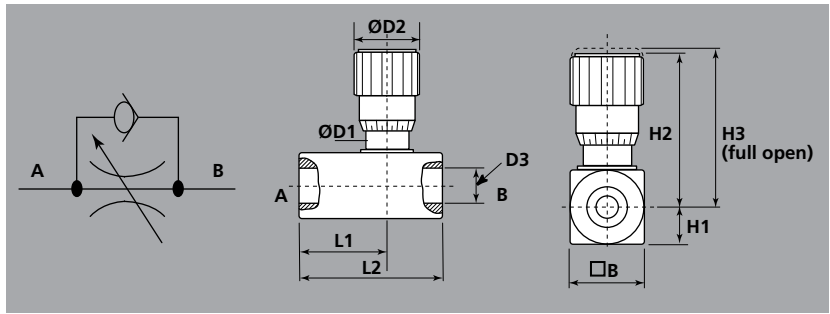
SIZE	THREAD SIZE	PART NUMBER	PSI	D	DN	P	L	G	A	H
1/4"	1/4" NPTF	SLB-14-NPT-LH	1000	1/4"	.45	.38	2.16	1.12	3.93	1.96
3/8"	3/8" NPTF	SLB-38-NPT-LH	1000	3/8"	.49	.38	2.16	1.12	3.93	1.96
1/2"	1/2" NPTF	SLB-12-NPT-LH	1000	1/2"	.59	.43	2.55	1.12	5.11	2.36
3/4"	3/4" NPTF	SLB-34-NPT-LH	1000	3/4"	.78	.43	2.93	1.38	5.11	2.51
1"	1" NPTF	SLB-1-NPT-LH	1000	1"	.98	.53	3.46	1.38	6.49	2.79
1 1/4"	1 1/4" NPTF	SLB-114-NPT-LH	1000	1 1/4"	1.25	.53	4.01	1.50	6.49	3.07
1 1/2"	1 1/2" NPTF	SLB-112-NPT-LH	1000	1 1/2"	1.49	.61	4.33	1.50	7.48	3.38
2"	2" NPTF	SLB-2-NPT-LH	1000	2"	1.96	.61	4.92	1.50	7.48	3.74
2 1/2"	2 1/2" NPTF	SLB-212-NPT-LH	1000	2 1/2"	2.56	1.75	6.02	2.56	9.61	4.72
3"	3" NPTF	SLB-3-NPT-LH	1000	3"	3.15	1.75	6.85	2.56	9.61	5.16



Flow Control and Needle Valves

SPECIFICATIONS

- Micrometer adjustment knob for accurate valve setting
- Rugged construction
- Carbon steel body with black oxide plating
- Zinc alloy handle
- Steel set screw
- Buna-O-Ring/PTFE stem packing



MAXIMUM PRESSURE

- 5000 PSI

TEMP. RATING

- -4°F to 176°F

DIMENSIONS (IN.)

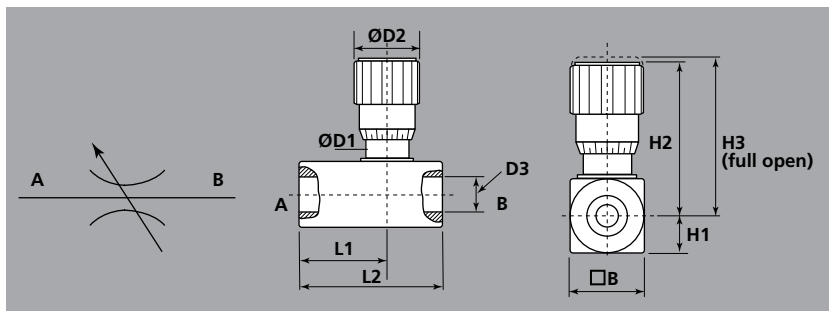
SIZE	PART NUMBER	B	D1	D2	D3	H1	H2	H3	L1	L2	WEIGHT
1/4"	FCV2818-2	1.10	0.76	1.18	1/4" NPTF	0.55	2.41	2.67	1.54	2.52	0.90 lbs
3/8"	FCV2818-3	1.10	0.76	1.18	3/8" NPTF	0.55	2.41	2.67	1.69	2.75	0.90 lbs
1/2"	FCV2818-4	1.50	0.95	1.46	1/2" NPTF	0.75	3.07	3.41	2.05	3.27	2.00 lbs
3/4"	FCV2818-6	1.50	0.95	1.46	3/4" NPTF	0.75	3.08	3.41	2.19	3.50	2.00 lbs
1"	FCV2818-8	1.89	1.38	1.89	1" NPTF	0.94	4.03	4.50	2.79	4.60	4.20 lbs
1 1/4"	FCV2818-10	2.38	1.96	2.28	1 1/4" NPTF	1.18	5.25	5.88	3.39	6.07	9.55 lbs
3/8"	FCV2818-3-SAE	1.10	0.76	1.18	06 SAE	0.55	2.41	2.67	1.69	2.75	0.90 lbs

FLOW CONTROL VALVE



SPECIFICATIONS

- Micrometer adjustment knob for accurate valve setting
- Rugged construction
- Carbon steel body with black oxide plating
- Zinc alloy handle
- Steel set screw
- Buna-O-Ring/PTFE stem packing



MAXIMUM PRESSURE

- 5000 PSI

TEMP. RATING

- -4°F to 176°F

DIMENSIONS (IN.)

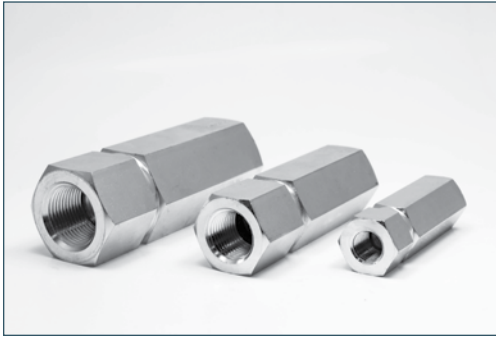
SIZE	PART NUMBER	B	D1	D2	D3	H1	H2	H3	L1	L2	WEIGHT
1/4"	NVI2810-2	1.10	0.76	1.18	1/4" NPTF	0.55	2.41	2.67	1.54	2.52	0.90 lbs
3/8"	NVI2810-3	1.10	0.76	1.18	3/8" NPTF	0.55	2.41	2.67	1.69	2.75	0.90 lbs
1/2"	NVI2810-4	1.50	0.95	1.46	1/2" NPTF	0.75	3.07	3.41	2.05	3.27	2.00 lbs
3/4"	NVI2810-6	1.50	0.95	1.46	3/4" NPTF	0.75	3.08	3.41	2.19	3.50	2.00 lbs
1"	NVI2810-8	1.89	1.38	1.89	1" NPTF	0.94	4.03	4.50	2.79	4.60	4.20 lbs
1 1/4"	NVI2810-10	2.39	1.74	2.26	1 1/4" NPTF	1.20	5.34	5.88	2.24	4.49	7.50 lbs
1 1/2"	NVI2810-12	2.76	2.38	3.17	1 1/2" NPTF	1.38	6.30	7.13	2.41	4.81	15.40 lbs
3/8"	NVI2810-3-SAE	1.10	0.76	1.18	06 SAE	0.55	2.41	2.67	1.69	2.75	0.90 lbs

NEEDLE VALVE



VU Series

Soft-Seat Check Valves



RATED PRESSURE – PSI

BODY SIZE	PSI
1/4"	10,000
3/8"	10,000
1/2"	7250
3/4"	7250
1"	7250
1 1/4"	4350
1 1/2"	4350
2"	4350

STEEL

FEATURES

- Zinc clear plated body
- Captive Buna-N seal
- One piece body

APPLICATIONS

- Agriculture
- Construction
- Hydraulic
- Pneumatic

SPRING PRESSURES

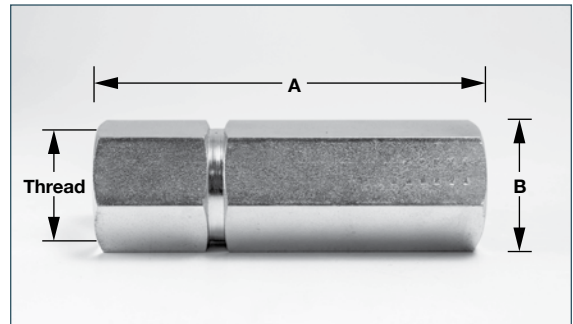
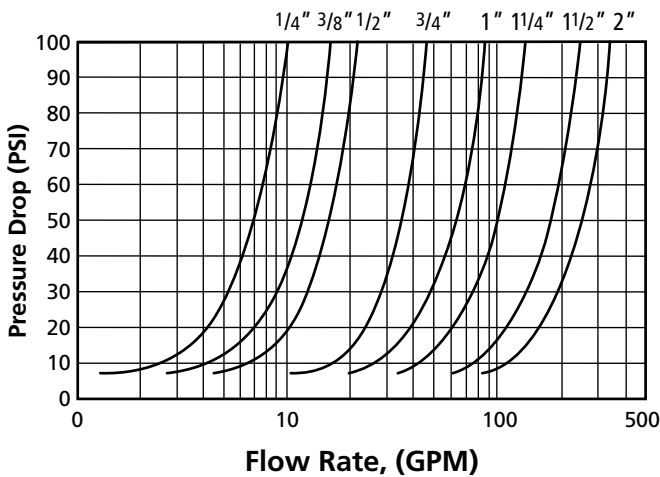
- 7 or 70 PSI

DIMENSIONS (IN.)

SIZE	PART NUMBER	THREAD	SPRING	A	B
1/4"	VU-14-F-7	1/4" NPTF	7 PSI	2.83	.87
1/4"	VU-14-F-70	1/4" NPTF	70 PSI	2.83	.87
3/8"	VU-38-F-7	3/8" NPTF	7 PSI	3.19	.94
3/8"	VU-38-F-70	3/8" NPTF	70 PSI	3.19	.94
1/2"	VU-12-F-7	1/2" NPTF	7 PSI	3.78	1.18
1/2"	VU-12-F-70	1/2" NPTF	70 PSI	3.78	1.18
3/4"	VU-34-F-7	3/4" NPTF	7 PSI	4.28	1.50
3/4"	VU-34-F-70	3/4" NPTF	70 PSI	4.28	1.50
1"	VU-1-F-7	1" NPTF	7 PSI	4.96	1.81
1"	VU-1-F-70	1" NPTF	70 PSI	4.96	1.81
1 1/4"	VU-114-F-7	1 1/4" NPTF	7 PSI	5.12	2.17
1 1/2"	VU-112-F-7	1 1/2" NPTF	7 PSI	5.31	2.56
2"	VU-2-F-7	2" NPTF	7 PSI	5.91	2.95

PERFORMANCE

Pressure Drop vs. Flow Rate



VU Series

Soft-Seat Check Valves



RATED PRESSURE – PSI

BODY SIZE	PSI
1/4"	5145
3/8"	5145
1/2"	5145
3/4"	4410
1"	3675
1 1/4"	3675
1 1/2"	3675
2"	2200

STAINLESS STEEL

FEATURES

- 316 stainless body
- 302 stainless springs
- FKM/FPM poppet seal
- Low pressure drop

APPLICATIONS

- Construction
- Chemical
- Hydraulic tools

SPRING PRESSURES

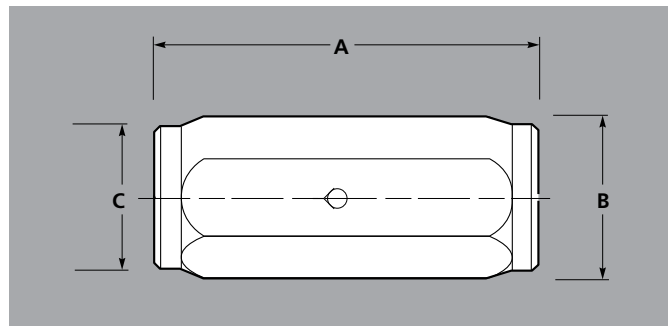
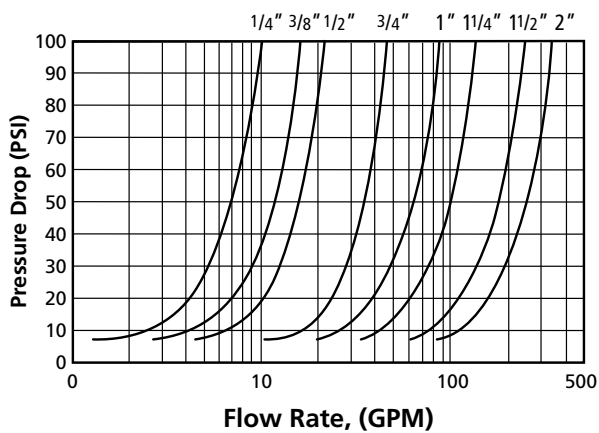
- 7 PSI only

DIMENSIONS (IN.)

SIZE	PART NUMBER	THREAD C	A	B
1/4"	VU-14-F-7-SS	1/4" NPTF	1.97	.75
3/8"	VU-38-F-7-SS	3/8" NPTF	2.36	.94
1/2"	VU-12-F-7-SS	1/2" NPTF	2.56	1.60
3/4"	VU-34-F-7-SS	3/4" NPTF	2.95	1.34
1"	VU-1-F-7-SS	1" NPTF	3.66	1.61
1 1/4"	VU-114-F-7-SS	1 1/4" NPTF	4.33	1.97
1 1/2"	VU-112-F-7-SS	1 1/2" NPTF	4.41	2.17
2"	VU-2-F-7-SS	2" NPTF	4.72	2.95

PERFORMANCE

Pressure Drop vs. Flow Rate



HSP Series

Hard Seat Check Valves



FEATURES

- Zinc clear plated body (RoHs compliant)
- Metal-to-metal seat
- One-piece body

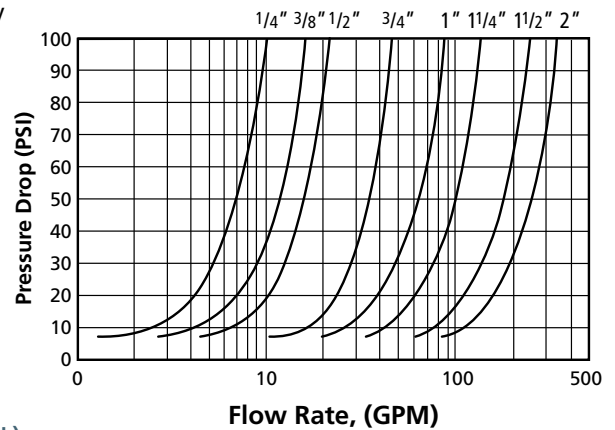
APPLICATIONS

- Hydraulic
- Chemical
- Construction

SPRING PRESSURES

- 5 or 65 PSI

Pressure Drop vs. Flow Rate



STEEL

NPT

DIMENSIONS (IN.)

SIZE	PART NUMBER	THREAD C	SPRING	B	C
1/4"	HSP-1000-2-5	1/4" NPTF	5 PSI	2.44	.87
1/4"	HSP-1000-2-65	1/4" NPTF	65 PSI	2.44	.87
3/8"	HSP-1000-3-5	3/8" NPTF	5 PSI	2.87	.95
3/8"	HSP-1000-3-65	3/8" NPTF	65 PSI	2.87	.95
1/2"	HSP-1000-4-5	1/2" NPTF	5 PSI	3.50	1.14
1/2"	HSP-1000-4-65	1/2" NPTF	65 PSI	3.50	1.14
3/4"	HSP-1000-6-5	3/4" NPTF	5 PSI	4.25	1.50
3/4"	HSP-1000-6-65	3/4" NPTF	65 PSI	4.25	1.50
1"	HSP-1000-8-5	1" NPTF	5 PSI	5.12	1.69
1"	HSP-1000-8-65	1" NPTF	65 PSI	5.12	1.69
1 1/4"	HSP-1000-10-5	1 1/4" NPTF	5 PSI	5.56	2.40
1 1/4"	HSP-1000-10-65	1 1/4" NPTF	65 PSI	5.56	2.40
1 1/2"	HSP-1000-12-5	1 1/2" NPTF	5 PSI	5.56	2.56
1 1/2"	HSP-1000-12-65	1 1/2" NPTF	65 PSI	5.56	2.56
2"	HSP-1000-16-5	2" NPTF	5 PSI	7.91	3.15
2"	HSP-1000-16-65	2" NPTF	65 PSI	7.91	3.15

RATED FLOW

BODY SIZE	GPM
1/4"	6
3/8"	9.5
1/2"	18
3/4"	30
1"	35
1 1/4"	60
1 1/2"	90
2"	145

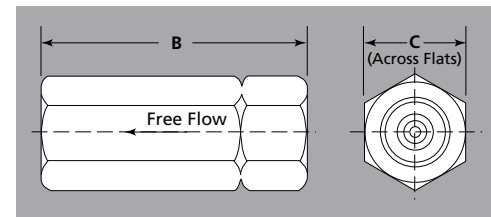
RATED PRESSURE - PSI

BODY SIZE	PSI
1/4"	6000
3/8"	6000
1/2"	5000
3/4"	5000
1"	5000
1 1/4"	3000
1 1/2"	3000
2"	3000

ORB

DIMENSIONS (IN.)

SIZE	PART NUMBER	THREAD C	SPRING	B	C
1/4"	HSP-1001-4-5	7/16" -20 ORB	5 PSI	2.44	.87
1/4"	HSP-1001-4-65	7/16" -20 ORB	65 PSI	2.44	.87
3/8"	HSP-1001-6-5	9/16" -18 ORB	5 PSI	2.87	.95
3/8"	HSP-1001-6-65	9/16" -18 ORB	65 PSI	2.87	.95
1/2"	HSP-1001-8-5	3/4" -16 ORB	5 PSI	3.50	1.14
1/2"	HSP-1001-8-65	3/4" -16 ORB	65 PSI	3.50	1.14
3/4"	HSP-1001-12-5	1 1/16" -12 ORB	5 PSI	4.25	1.50
3/4"	HSP-1001-12-65	1 1/16" -12 ORB	65 PSI	4.25	1.50
1"	HSP-1001-16-5	1 5/16" -12 ORB	5 PSI	5.12	1.69
1"	HSP-1001-16-65	1 5/16" -12 ORB	65 PSI	5.12	1.69
1 1/4"	HSP-1001-20-5	1 5/8" -12 ORB	5 PSI	5.56	2.40
1 1/4"	HSP-1001-20-65	1 5/8" -12 ORB	65 PSI	5.56	2.40
1 1/2"	HSP-1001-24-5	1 7/8" -12 ORB	5 PSI	5.56	2.56
1 1/2"	HSP-1001-24-65	1 7/8" -12 ORB	65 PSI	5.56	2.56



Standard Series Clamps

Ordering Example



****A3 – 21.3 – A**

CLAMP SET MATERIAL
Polypropylene (Green) A

GROUP SIZE
Refer to Chart on Page 64

CLAMP SET ID
Refer to Chart on Page 64

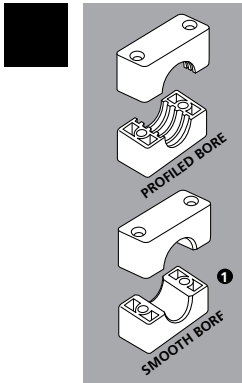
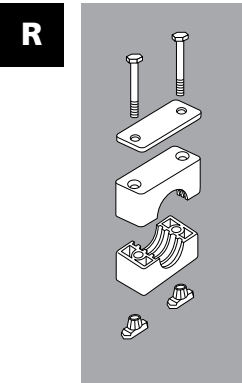
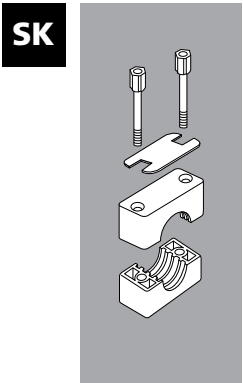
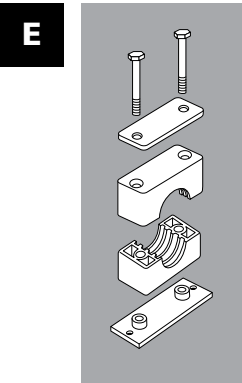
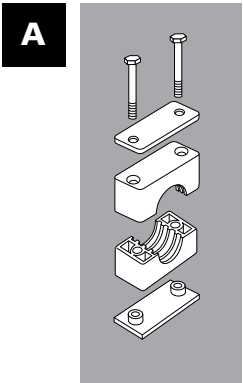
DESCRIPTION

- A** Clamp with Weld Plate, Cover Plate and Bolts
- SK** Clamp with Stacking Kit
- E** Clamp with Elongated Weld Plate, Cover Plate and Bolts
- R** Clamp with Rail Nuts, Cover Plate and Bolts
- Clamp Set Only

CLAMP SET BORE

Pipe and tube clamp sizes have a profiled bore. For hose and special applications add "H" to the part number for a smooth bore.

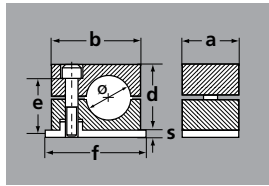
****"S" PREFIX = STAINLESS STEEL HARDWARE**



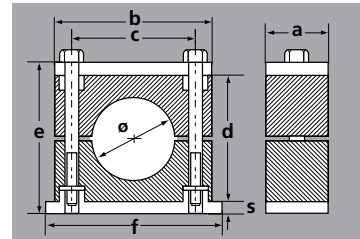
Standard Series

Sizes and Dimensions

Group 0



Group 1-6



PCI	DIN	DIAMETER					DIMENSIONS							BAG/QTY.
GROUP	GROUP	Ø	PIPE NOMINAL BORE	TUBE O.D.	COMPLETE ASSEMBLY PART #	A	B	C	D	F	S	E	BAG QTY.	
0	0	6	0.24		A0-06H-A									
		8	0.31		A0-08-A	30mm	28mm	-	27mm	32mm	3mm	33mm	50	
		10	0.39	1/8"	A0-10-A	1.18"	1.10"	-	1.06"	1.26"	0.12"	1.30"		
		12	0.47		A0-12H-A									
1	1	6	0.24		A1-06H-A									50
		6.4	0.25		A1-6.4-A*									
		8	0.31		A1-08-A	30mm	34mm	20mm	27mm	42mm	3mm	33mm		
		9.5	0.37		A1-9.5-A	1.18"	1.34"	0.79"	1.06"	1.65"	0.12"	1.30"		
		10	0.39	1/8"	A1-10-A									
		12	0.47		A1-12H-A									
2	2	12.7	0.50		A2-12.7-A*								50	
		13.5	0.53	1/4"	A2-13.5-A*									
		14	0.55		A2-14H-A									
		15	0.59		A2-15H-A	30mm	40mm	26mm	33mm	48mm	3mm	39mm		
		16	0.63		A2-16-A*	1.18"	1.57"	1.02"	1.30"	1.89"	0.12"	1.54"		
		17.2	0.67	3/8"	A2-17.2-A*									
		18	0.71		A2-18H-A									
		19	0.75		A2-19H-A									
3	3	19	0.75		A3-19-A*								50	
		20	0.79		A3-20H-A									
		21.3	0.84	1/2"	A3-21.3-A*	30mm	45mm	33mm	35mm	55mm	3mm	41mm		
		22	0.87		A3-22-A	1.18"	1.69"	1.30"	1.38"	2.17"	0.12"	1.61"		
		25	0.98		A3-25H-A									
		25.4	1.00		A3-25.4-A*									
4	4	26.9	1.06	3/4"	A4-26.9-A*								25	
		28	1.10		A4-28H-A*	30mm	57mm	40mm	42mm	62mm	3mm	48mm		
		30	1.18		A4-30H-A	1.18"	2.24"	1.57"	1.65"	2.44"	0.12"	1.89"		
		32	1.25		A4-32-A*									
					1 1/4"									
5	5	32	1.25		A5-32-A								25	
		33.7	1.33	1"	A5-33.7-A									
		35	1.38		A5-35H-A*									
		38	1.50		A5-38-A*	30mm	68mm	52mm	58mm	74mm	3mm	64mm		
		40	1.57		A5-40H-A	1.18"	2.68"	2.05"	2.28"	2.91"	0.12"	2.52"		
		42	1.65		A5-42H-A									
		42.4	1.67	1 1/4"	A5-42.4-A*									
		45	1.77		A5-45H-A									
6	6	44.5	1.75		A6-44.5-A	30mm	86mm	66mm	66mm	88mm	3mm	77mm	25	
		48.3	1.90	1 1/2"	A6-48.3-A*	1.18"	3.39"	2.60"	2.60"	3.46"	0.12"	2.83"		
		50.8	2.00		A6-50.8-A									

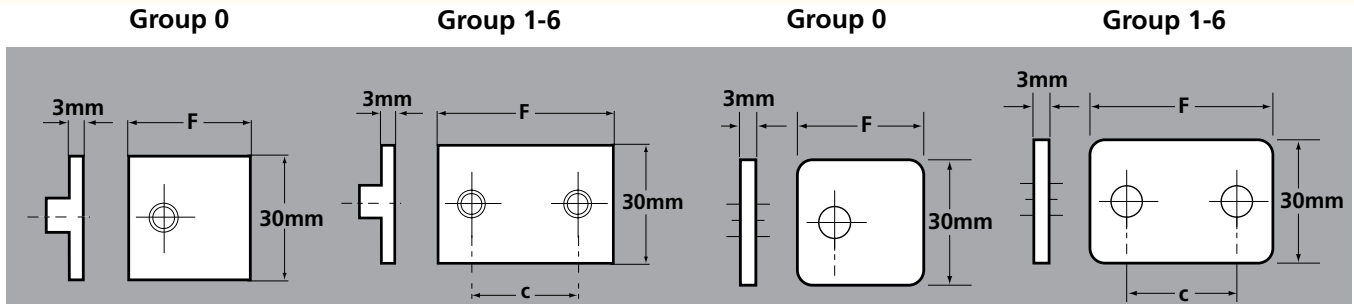
Add "S" prefix for stainless steel hardware when ordering a complete clamp assembly. To order a set of inserts only, omit the "A" from the end of the part number.

*Available in black. Add "B" prefix to part number.

NOTE: "H" in part number designates a smooth bore insert.

Standard Series

Components

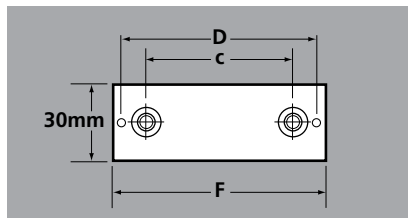


WELD PLATE

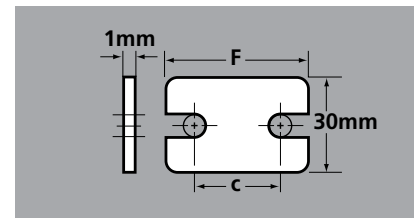
COVER PLATE

GROUP	DIMENSIONS			BAG QTY.	DIMENSIONS			BAG QTY.
	PART NUMBER	F	C		PART NUMBER	F	C	
0	WP0	32mm 1.28"	— —	50	CP0	28mm 1.10"	— —	50
1	WP1	42mm 1.65"	20mm 0.79"	50	CP1	37mm 1.46"	20mm 0.79"	50
2	WP2	48mm 1.89"	26mm 1.02"	50	CP2	43mm 1.69"	26mm 1.02"	50
3	WP3	55mm 2.17"	33mm 1.30"	50	CP3	50mm 1.97"	33mm 1.30"	50
4	WP4	62mm 2.44"	40mm 1.57"	25	CP4	57mm 2.24"	40mm 1.57"	25
5	WP5	74mm 2.91"	52mm 2.05"	25	CP5	69mm 2.72"	52mm 2.05"	25
6	WP6	88mm 3.46"	66mm 2.60"	25	CP6	83mm 3.27"	66mm 2.60"	25

Add "S" prefix for stainless steel hardware.



ELONGATED WELD PLATE

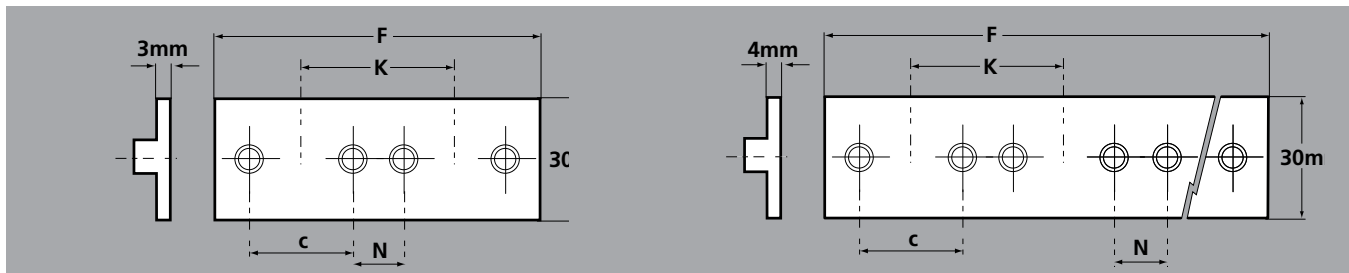


SAFETY PLATE

Add "S" prefix for stainless steel hardware.

Standard Series

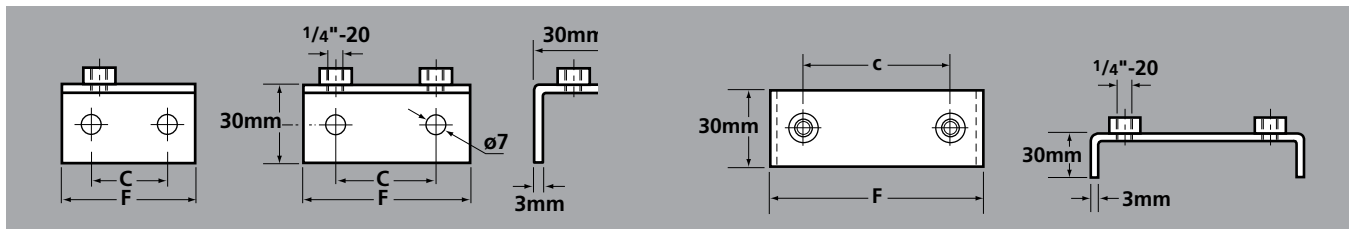
Components



DOUBLE WELD PLATE

MULTIPLE WELD PLATE

GROUP	PART NUMBER	DIMENSIONS				PART NUMBER	DIMENSIONS				CLAMPS PER PLATE
		F	C	N	K		F	C	N	K	
0	DWP0	61mm 2.40"	—	—	30mm 1.18"	MWP0	309mm 12.2"	—	—	30mm 1.18"	10
1	DWP1	81mm 3.19"	20mm 0.79"	20mm 0.79"	40mm 1.57"	MWP1	368mm 14.5"	20mm 0.79"	20mm 0.79"	40mm 1.57"	10
2	DWP2	91mm 3.58"	26mm 1.02"	18mm 0.71"	44mm 1.73"	MWP2	463mm 18.25"	26mm 1.02"	18mm 0.71"	44mm 1.73"	10
3	DWP3	106mm 4.17"	33mm 1.30"	19mm 0.75"	52mm 2.05"	MWP3	546mm 21.5"	33mm 1.30"	19mm 0.75"	52mm 2.05"	10
4	DWP4	121mm 4.76"	40mm 1.57"	20mm 0.79"	60mm 2.36"	MWP4	304mm 12"	40mm 1.57"	20mm 0.79"	60mm 2.36"	5
5	DWP5	148mm 5.83"	52mm 2.05"	23mm .91"	75mm 2.95"	MWP5	377mm 14.85"	52mm 2.05"	23mm 0.91"	75mm 2.95"	5
6	DWP6	177mm 6.97"	66mm 2.60"	24mm 0.94"	90mm 3.54"	MWP6	445mm 17.5"	66mm 2.60"	24mm 0.94"	90mm 3.54"	5



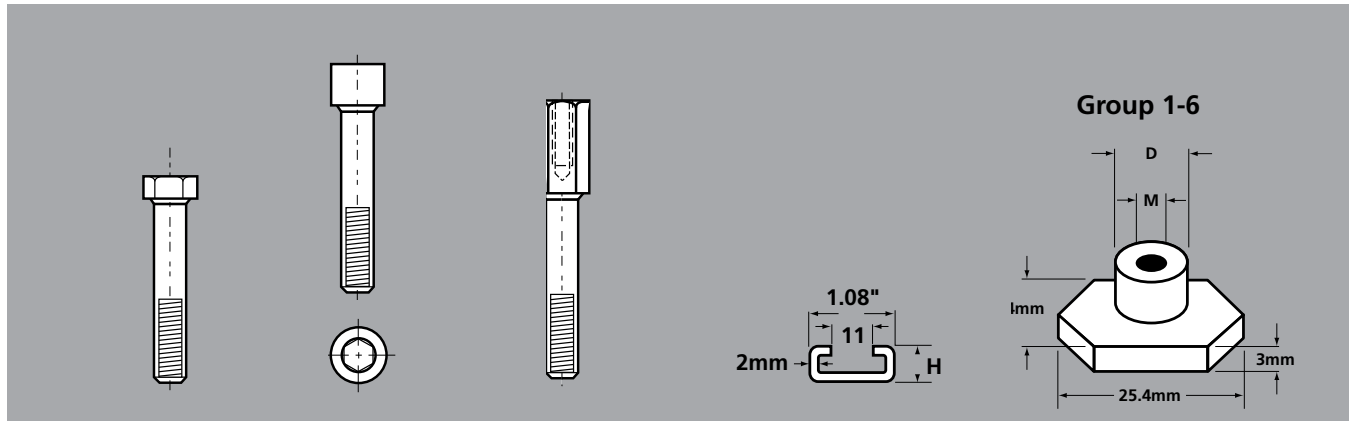
ANGLED WELD PLATE

BRIDGE WELD PLATE

GROUP	DIMENSIONS			DIMENSIONS		
	PART NUMBER	F	C	PART NUMBER	F	C
0	AWP0	32mm 1.26"	14mm 0.55"	—	—	—
1	AWP1	42mm 1.65"	20mm 0.79"	BWP1	48mm 1.89"	20mm 0.79"
2	AWP2	48mm 1.89"	26mm 1.02"	BWP2	54mm 2.13"	26mm 1.02"
3	AWP3	55mm 2.17"	33mm 1.30"	BWP3	62mm 2.44"	33mm 1.30"
4	AWP4	62mm 2.44"	40mm 1.57"	BWP4	71mm 2.80"	40mm 1.57"
5	AWP5	74mm 2.91"	52mm 2.05"	BWP5	85mm 3.35"	52mm 2.05"
6	AWP6	88mm 3.46"	66mm 2.60"	BWP6	98mm 3.86"	66mm 2.60"

Standard Series

Components



HEX HEAD
BOLT

SOCKET HEAD
CAP SCREW

STACKING
BOLT

MOUNTING
RAIL

RAIL
NUT

GROUP	PART NUMBER SIZE	PART NUMBER SIZE	PART NUMBER			PART NUMBER	
			PART NUMBER SIZE	HEIGHT H	LENGTH L	PART NUMBER M	PART NUMBER D
0	HB0/1 1/4" - 20 x 1 1/4"	SC0/1 1/4" - 20 x 3/4"	SB0/1 1/4" - 20 x 3/4"	MR-11-2 11mm 0.43	2m 6.56		
1	HB0/1 1/4" - 20 x 1 1/4"	SC0/1 1/4" - 20 x 3/4"	SB0/1 1/4" - 20 x 3/4"	MR-11-2 11mm 0.43	2m 6.56		
2	HB2 1/4" - 20 x 1 3/8"	SC2 1/4" - 20 x 1"	SB2 1/4" - 20 x 1"	MR-11-2 11mm 0.43	1m 6.56		
3	HB3 1/4" - 20 x 1 1/2"	SC3 1/4" - 20 x 1 1/4"	SB3 1/4" - 20 x 1 1/4"	MR-11-2 11mm 0.43	2m 6.56	RNS/T1 1/4" - 20	12mm 0.47"
4	HB4 1/4" - 20 x 1 3/4"	SC4 1/4" - 20 x 1 3/8"	SB4 1/4" - 20 x 1 3/8"	MR-11-2 11mm 0.43	2m 6.56		
5	HB5 1/4" - 20 x 2 1/2"	SC5 1/4" - 20 x 2"	SB5 1/4" - 20 x 2"	MR-11-2 11mm 0.43	2m 6.56		
6	HB6 1/4" - 20 x 2 3/4"	SC6 1/4" - 20 x 2 3/8"	SB6 1/4" - 20 x 2 3/8"				

Add "S" prefix for stainless steel hardware.

Twin Series Clamps

Ordering Example



****AT4 - 26.9 - A**

CLAMP SET MATERIAL
Polypropylene (Green) AT

GROUP SIZE
Refer to Chart on Page 69

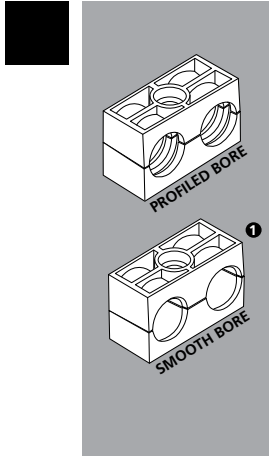
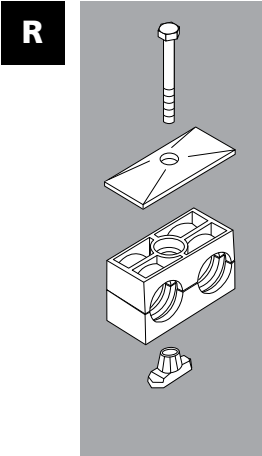
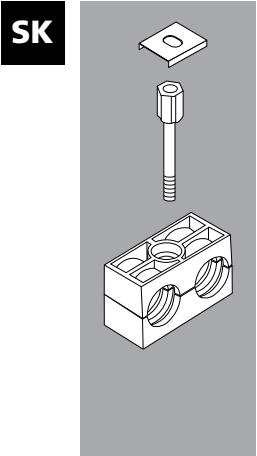
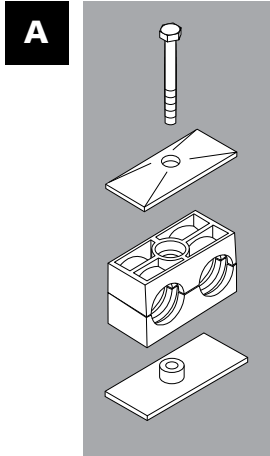
CLAMP SET ID
Refer to Chart on Page 69

DESCRIPTION

- A** Clamp with Weld Plate, Cover Plate and Bolts
- SK** Clamp with Stacking Kit
- R** Clamp with Rail Nuts, Cover Plate and Bolts
- CLAMP SET ONLY**

CLAMP SET BORE

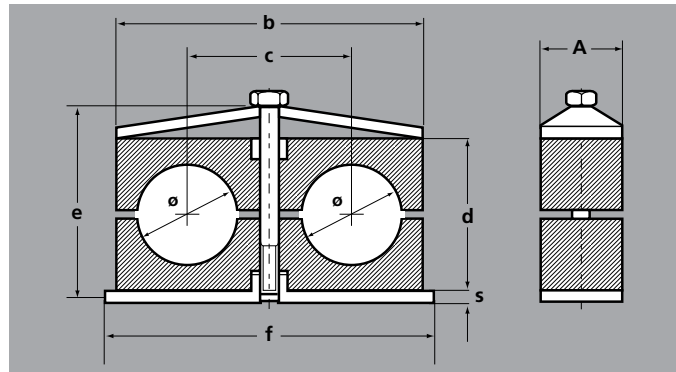
Pipe and tube clamp sizes have a profiled bore. For hose and special applications add "H" to the part number for a smooth bore.



❶ Not available in all sizes. See page 69 for availability.

Twin Series

Sizes and Dimensions



GROUP	PCI	DIN	DIAMETER				DIMENSIONS							BAG QTY.		
			Ø mm	Inch	PIPE NOMINAL BORE	TUBE O.D.	COMPLETE ASSEMBLY PART #	A	B	C	D	F	S		E	
1		1	6	0.24			AT1-06H-A								50	
			6.4	1.25		1/4"	AT1-6.4-A*									
			8	1.31		5/16"	AT1-8-A	30mm	34mm	20mm	25mm	37mm	3mm	35mm		
			9.5	0.37		3/8"	AT1-9.5-A*	1.18"	1.34"	0.79"	0.98"	1.46"	0.12"	1.36"		
			10	0.39	1/8"		AT1-10-A									
			12	0.47												
2		2	12.7	0.50		1/2"	AT2-12.7-A*							50		
			13.5	0.53	1/4"		AT2-13.5-A*									
			14	0.55			AT2-14H-A									
			15	0.59			AT2-15H-A	30mm	53mm	29mm	26mm	55mm	5mm		36mm	
			16	0.63		5/8"	AT2-16-A*	1.18"	2.09"	1.14"	1.02"	2.17"	0.20"		1.42"	
			17.2	0.67	3/8"		AT2-17.2-A*									
			18	0.71												
3		3	19	0.75		3/4"	AT3-19-A*							50		
			20	0.79			AT3-20H-A									
			21.3	0.84	1/2"		AT3-21.3-A*	30mm	67mm	36mm	37mm	70mm	5mm		47mm	
			22	0.87		7/8"	AT3-22-A*	1.18"	2.64"	1.42"	1.46"	2.76"	0.20"		1.85"	
			25	0.98			AT3-25H-A									
			25.4	1.00		1"	AT3-25.4-A*									
4		4	26.9	1.06	3/4"		AT4-26.9-A							25		
			28	1.10			AT4-28H-A*	30mm	82mm	45mm	42mm	85mm	5mm		52mm	
			30	1.18			AT4-30-A	1.18"	3.23"	1.77"	1.65"	3.35"	0.20"		2.05"	
5		5	32	1.25		1 1/4"	AT5-32-A*							25		
			33.7	1.33	1"		AT5-33.7-A*									
			35	1.38			AT5-35H-A									
			38	1.50		1 1/2"	AT5-38-A	30mm	106mm	56mm	54mm	110mm	5mm		64mm	
			40	1.57			AT5-40H-A	1.18"	4.17"	2.20"	2.13"	4.33"	0.20"		2.52"	
			42	1.65			AT5-42H-A									
			42.4	1.67	1 1/4"		AT5-42.4-A									

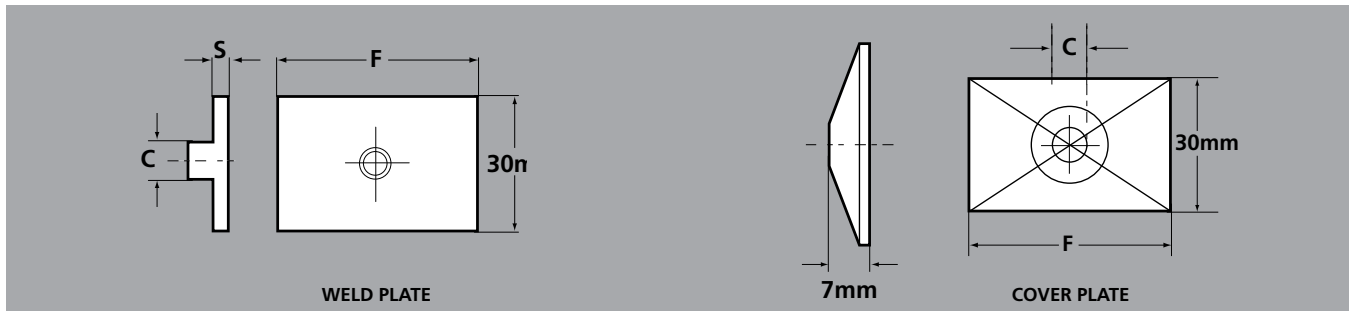
To order a set of inserts only, omit the "A" from the end of the part number.

*Available in black. Add "B" prefix to part number.

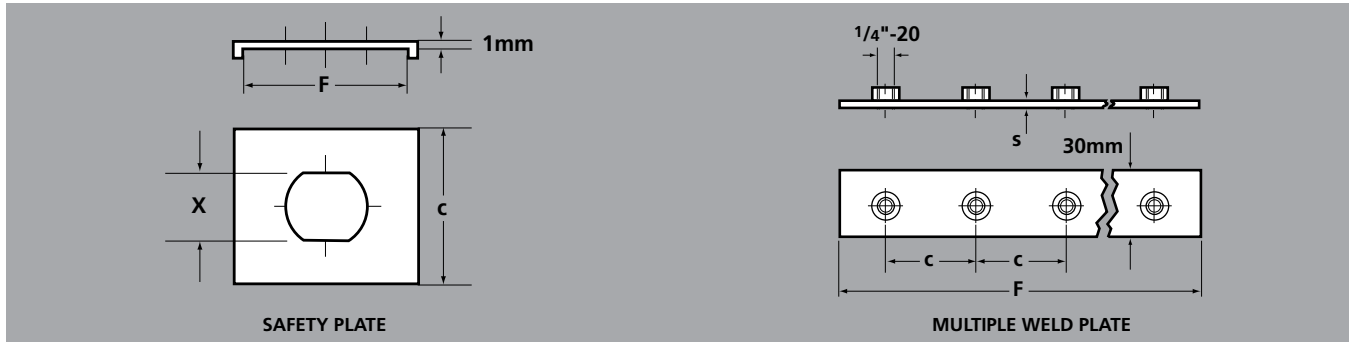
NOTE: "H" in part number designates a smooth bore insert.

Twin Series

Components



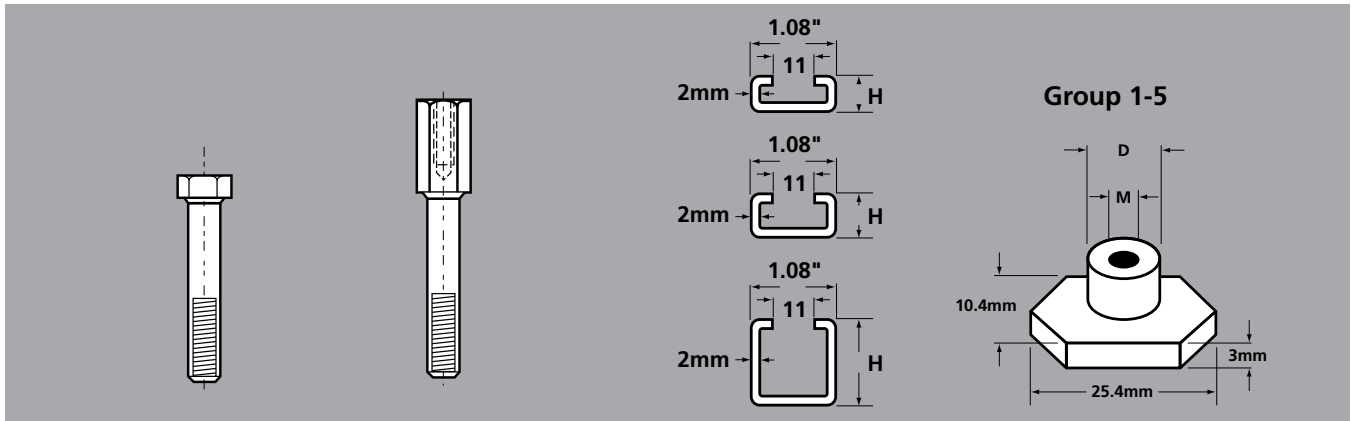
GROUP	DIMENSIONS				BAG QTY.	DIMENSIONS			BAG QTY.
	PART NUMBER	F	C	S		PART NUMBER	F	C	
1	WPT1	37mm 1.46"	12mm 0.79"	3mm 0.12"	50	CPT1	35mm 1.38"	7mm 0.28"	50
2	WPT2	55mm 2.17"	14mm 0.55"	5mm 0.20"	50	CPT2	52mm 2.05"	9mm 0.35"	50
3	WPT3	70mm 2.76"	14mm 0.55"	5mm 0.20"	50	CPT3	66mm 2.60"	9mm 0.35"	50
4	WPT4	85mm 3.35"	14mm 0.55"	5mm 0.20"	25	CPT4	81mm 3.19"	9mm 0.35"	25
5	WPT5	110mm 4.33"	14mm 0.55"	5mm 0.20"	25	CPT5	105mm 4.13"	9mm 0.35"	25



GROUP	DIMENSIONS				DIMENSIONS				CLAMPS PER PLATE
	PART NUMBER	F	C	X	PART NUMBER	F	C	S	
1	SPT1	30mm 1.18"	30mm 1.18"	11mm 0.43"	MWPT1	200mm 7.87"	40mm 1.57"	3mm 0.12"	5
2	SPT2	30mm 1.18"	30mm 1.18"	13mm 0.51"	MWPT2	290mm 11.42"	58mm 2.28"	5mm 0.20"	5
3	SPT3	30mm 1.18"	30mm 1.18"	13mm 0.51"	MWPT3	360mm 14.17"	72mm 2.83"	5mm 0.20"	5
4	SPT4	30mm 1.18"	30mm 1.18"	13mm 0.51"	MWPT4	450mm 17.72"	90mm 3.54"	5mm 0.20"	5
5	SPT5	30mm 1.18"	30mm 1.18"	13mm 0.51"	MWPT5	560mm 22.05"	112mm 4.41"	5mm 0.20"	5

Twin Series

Components



HEX HEAD
BOLT

STACKING
BOLT

MOUNTING
RAIL

RAIL
NUT

GROUP	PART NUMBER					
	PART NUMBER SIZE	PART NUMBER SIZE	HEIGHT H	LENGTH L	M	D
1	HB2/T1 1/4" - 20 x 1 3/8"	SBT/1 1/4" - 20 x .79"	11mm 0.43	2m 6.56	RNS/T1 1/4" - 20	12mm 0.47"
2	HBT/2 5/16" - 18 x 1 3/8"	SBT/2 5/16" - 18 x .79"	11mm 0.43	2m 6.56	RNT2/5 5/16" - 18	14mm 0.55"
3	HBT/3 5/16" - 18 x 1 3/4"	SBT/3 5/16" - 18 x 1.14"	11mm 0.43	2m 6.56		
4	HBT/4 5/16" - 18 x 2"	SBT/4 5/16" - 18 x 1.34"	11mm 0.43	2m 6.56		
5	HBT/5 5/16" - 18 x 2 1/2"	SBT/5 5/16" - 18 x 1.85"	11mm 0.43	2m 6.56		

Heavy Duty Clamps

Ordering Example



****AH3 – 33.7 – A**

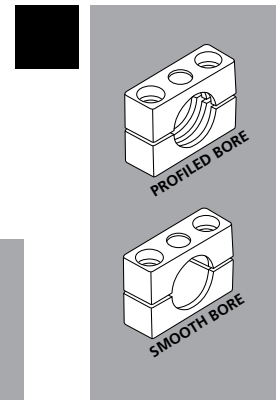
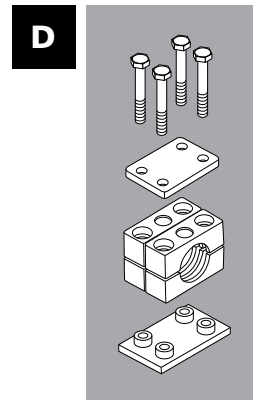
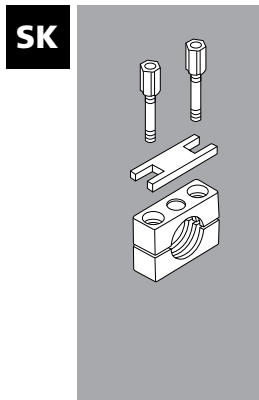
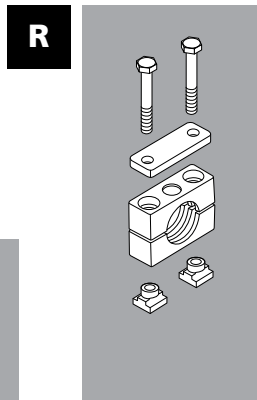
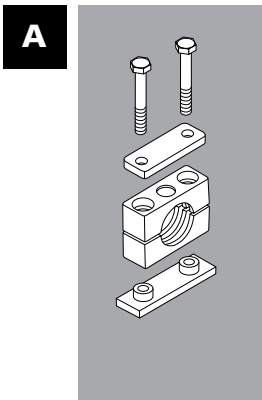
CLAMP SET MATERIAL	
Polypropylene (Green)	A
Aluminum	L

GROUP SIZE
Refer to Chart on Page 73-74

CLAMP SET ID
Refer to Chart on Page 73-74

DESCRIPTION	
A	Clamp with Weld Plate, Cover Plate and Bolts
SK	Clamp with Stacking Kit
R	Clamp with Rail Nuts, Cover Plate and Bolts
D	Double Clamp with Weld Plate, Cover Plate and Bolts
■	Clamp Set Only

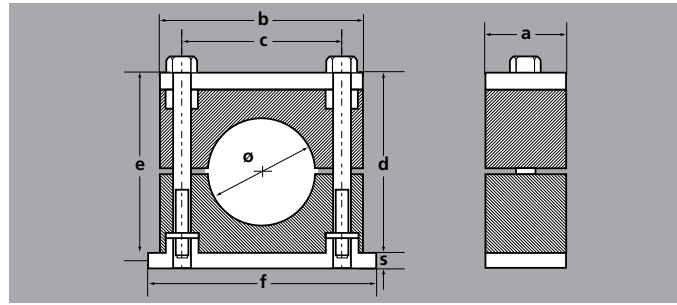
CLAMP SET BORE
Pipe and tube clamp sizes have a profiled bore. For hose and special applications add "H" to the part number for a smooth bore.



❶ Not available in all sizes. Contact PCI for availability.

Heavy Duty

Sizes and Dimensions – Group 1-4



PCI	DIN	DIAMETER				DIMENSIONS							BAG/QTY.	
GROUP	GROUP	Ø mm	Inch	PIPE NOMINAL BORE	TUBE O.D.	COMPLETE ASSEMBLY PART #	A	B	C	D	F	S	E	BAG QTY.
1	1	6.4	0.25		1/4"	AH1-6.4-A	30mm	55mm	33mm	32mm	73mm	8mm	48mm	25
		8	0.31		5/16"	AH1-08-A								
		9.5	0.37		3/8"	AH1-9.5-A								
		10	0.39	1/8"		AH1-10-A								
		12	0.47			AH1-12H-A								
		12.7	0.50		1/2"	AH1-12.7-A								
		13.5	0.53	1/4"		AH1-13.5-A †								
		14	0.55			AH1-14H-A †								
		15	0.59			AH1-15H-A †								
		16	0.63		5/8"	AH1-16-A †								
17.2	0.68	3/8"		AH1-17.2-A										
18	0.71			AH1-18H-A †										
2	2	19	0.75		3/4"	AH2-19-A	30mm	70mm	45mm	48mm	85mm	8mm	76mm	25
		20	0.79			AH2-20H-A								
		21.3	0.84	1/2"		AH2-21.3-A								
		22	0.87		7/8"	AH2-22-A †								
		25	0.98		1"	AH2-25H-A								
		25.4	1.00			AH2-25.4-A								
		26.9	1.06	3/4"		AH2-26.9-A								
		28	1.10			AH2-28-A †								
30	1.18			AH2-30-A †										
3	3	30	1.18		1 1/4"	AH3-30H-A †	30mm	85mm	60mm	100mm	30mm	8mm	76mm	25
		32	1.25			AH3-32-A								
		33.7	1.33	1"		AH3-33.7-A								
		35	1.38			AH3-35H-A †								
		38	1.50		1 1/2"	AH3-38-A								
		40	1.57			AH3-40H-A †								
42.4	1.67	1 1/4"		AH3-42.4-A										
4	4	38	1.50		1 1/2"	AH4-38-A	45mm	120mm	90mm	90mm	140mm	10mm	110mm	-
		42	1.65			AH4-42H-A								
		42.4	1.67	1 1/4"		AH4-42.4-A								
		44.5	1.75		1 3/4"	AH4-44.5-A								
		48.3	1.90	1 1/2"		AH4-48.3-A								
		50	1.97			AH4-50H-A †								
		50.8	2.0		2"	AH4-50.8-A								
		55	2.17			AH4-55H-A †								
		57	2.24		2 1/4"	AH4-57-A †								
		60.3	2.37	2"		AH4-60.3-A								
		63.5	2.50		2 1/2"	AH4-63.5-A								
		65	2.56			AH4-65H-A †								
70	2.76		2 3/4"	AH4-70-A †										

To order a set of inserts only, omit the "A" from the end of the part number.

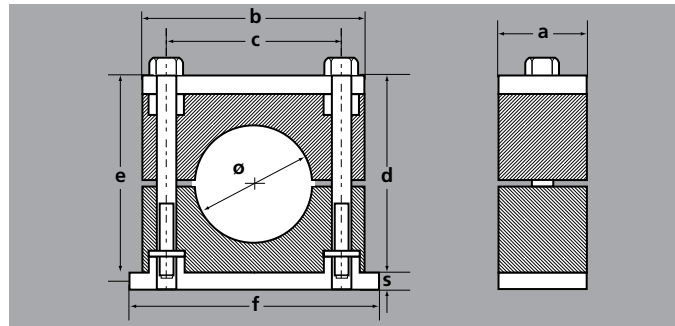
For Aluminum inserts, change prefix "A" to "L".

† Not available in Aluminum.

NOTE: "H" in part number designates a smooth bore insert.

Heavy Duty

Sizes and Dimensions – Group 5-8



PCI	DIN	DIAMETER					DIMENSIONS						
GROUP	GROUP	PIPE		NOMINAL BORE	TUBE O.D.	PART #	A	B	C	D	F	S	E
		ϕ mm	ϕ Inch										
5	5	65	2.56			AH5-65H-A	60mm 2.38"	152mm 5.98"	122mm 4.80"	120mm 4.72"	180mm 7.09"	10mm 0.39"	140mm 5.51"
		70	2.76		2 ³ / ₄ "	AH5-70-A							
		75	2.95			AH5-75H-A							
		76.1	3.00	2 ¹ / ₂ "	3"	AH5-76.1-A							
		80	3.15			AH5-80H-A							
		82.5	3.25		3 ¹ / ₄ "	AH5-82.5-A							
88.9	3.50	3"	3 ¹ / ₂ "	AH5-88.9-A									
6	6	88.9	3.50	3"	3 ¹ / ₂ "	AH6-88.9-A	80mm 3.15"	205mm 8.07"	168mm 6.61"	170mm 6.69"	225mm 8.86"	15mm 0.59"	200mm 7.87"
		100	3.94		4"	AH6-100H-A							
		101.6	4.00	3 ¹ / ₂ "	4"	AH6-101.6-A							
		108	4.25		4 ¹ / ₄ "	AH6-108-A							
		114.3	4.50	4"	4 ¹ / ₂ "	AH6-114.3-A							
127	5.00	4 ¹ / ₂ "	5"	AH6-127-A									
7	7	133	5.25		5 ¹ / ₄ "	AH7-133-A	90mm 3.54"	250mm 9.84"	205mm 8.07"	200mm 7.87"	2.70mm 10.63"	15mm 0.59"	230mm 9.06"
		139.7	5.50	5"	5 ¹ / ₂ "	AH7-139.7-A							
		152.4	6.00	5 ¹ / ₂ "	6"	AH7-152.4-A							
168.3	6.63	6"		AH7-168.3-A									
8	8	168.3	6.63	6"		AH8-168.3-A	120mm 4.72"	320mm 12.60"	265mm 10.43"	270mm 10.63"	340mm 13.39"	25mm 0.98"	320mm 12.60"
		219.1	8.63	8"		AH8-219-A							

To order a set of inserts only, omit the "A" from the end of the part number.

For Aluminum inserts, change prefix "A" to "L".

Aluminum inserts available through Group 5 only.

† Not available in Aluminum.

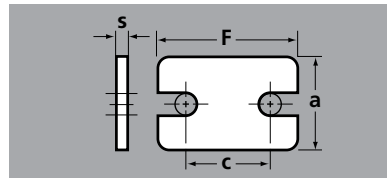
Heavy Duty Components



WELD PLATE

COVER PLATE

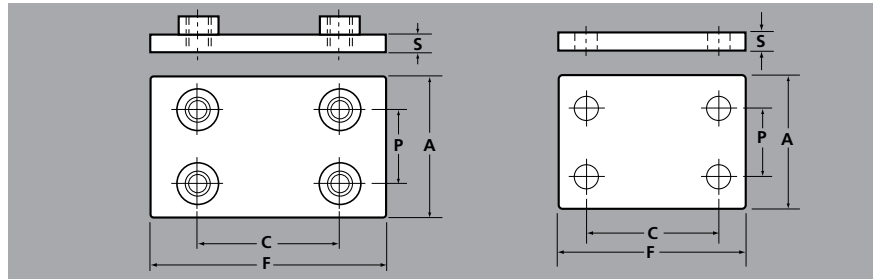
GROUP	PART NUMBER	DIMENSIONS				BAG QTY.	PART NUMBER	DIMENSIONS				BAG QTY.
		A	F	C	S			A	F	C	S	
1	WPH1	30mm 1.18"	75mm 2.95"	33mm 1.30"	8mm 0.31"	25	CPH1	30mm 1.18"	55mm 2.17"	33mm 1.30"	8mm 0.31"	25
2	WPH2	30mm 1.18"	87mm 3.43"	45mm 1.77"	8mm 0.31"	25	CPH2	30mm 1.18"	70mm 2.76"	45mm 1.77"	8mm 0.31"	25
3	WPH3	30mm 1.18"	102mm 4.02"	60mm 2.36"	8mm 0.31"	25	CPH3	30mm 1.18"	85mm 3.35"	60mm 2.36"	8mm 0.31"	25
4	WPH4	45mm 1.77"	140mm 5.51"	90mm 3.54"	10mm 0.39"	—	CPH4	45mm 1.77"	120mm 4.72"	90mm 3.54"	10mm 0.39"	—
5	WPH5	60mm 2.36"	180mm 7.09"	122mm 4.80"	10mm 0.39"	—	CPH5	60mm 2.36"	152mm 5.98"	122mm 4.80"	10mm 0.39"	—
6	WPH6	80mm 3.15"	225mm 8.86"	168mm 6.61"	15mm 0.59"	—	CPH6	80mm 3.15"	205mm 8.07"	168mm 6.61"	15mm 0.59"	—
7	WPH7	90mm 3.54"	270mm 10.63"	205mm 8.07"	15mm 0.59"	—	CPH7	90mm 3.54"	250mm 9.84"	205mm 8.07"	15mm 0.59"	—
8	WPH8	120mm 4.72"	340mm 13.39"	265mm 10.43"	25mm 0.98"	—	CPH8	120mm 4.72"	320mm 12.60"	265mm 10.43"	25mm 0.98"	—



SAFETY PLATE

GROUP	PART NUMBER	DIMENSIONS			
		A	F	C	S
1	SPH1	30mm 1.18"	55mm 2.17"	33mm 1.30"	8mm 0.31"
2	SPH2	30mm 1.18"	70mm 2.76"	45mm 1.77"	8mm 0.31"
3	SPH3	30mm 1.18"	85mm 3.35"	60mm 2.36"	8mm 0.31"
4	SPH4	45mm 1.77"	120mm 4.72"	90mm 3.54"	10mm 0.39"
5	SPH5	60mm 2.36"	152mm 5.98"	122mm 4.80"	10mm 0.39"

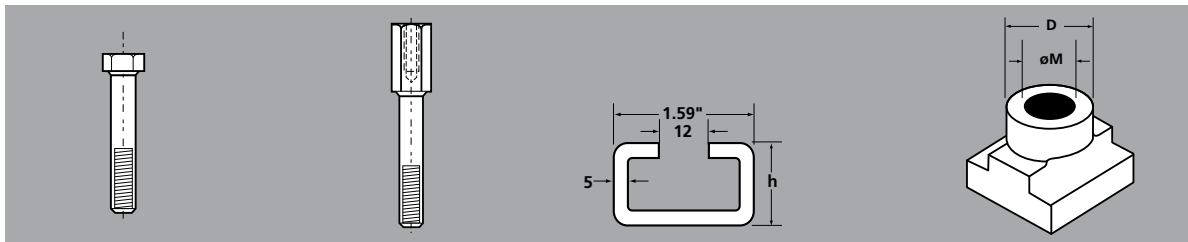
Heavy Duty Components



DOUBLE WELD PLATE

DOUBLE COVER PLATE

GROUP	PART NUMBER	DIMENSIONS					PART NUMBER	DIMENSIONS				
		A	F	S	C	P		A	F	S	C	P
1	WPHD1	60mm 2.36"	74mm 2.91"	8mm 0.31"	33mm 1.30"	31mm 1.22"	CPHD1	60mm 2.36"	56mm 2.20"	8mm 0.31"	33mm 1.30"	31mm 1.22"
2	WPHD2	60mm 2.36"	85mm 3.39"	8mm 0.31"	45mm 1.77"	31mm 1.22"	CPHD2	60mm 2.36"	70mm 2.76"	8mm 0.31"	45mm 1.77"	31mm 1.22"
3	WPHD3	60mm 2.36"	100mm 3.94"	8mm 0.31"	60mm 2.36"	31mm 1.22"	CPHD3	60mm 2.36"	85mm 3.35"	8mm 0.31"	60mm 2.36"	31mm 1.22"
4	WPHD4	90mm 3.54"	140mm 5.51"	10mm 0.39"	90mm 3.54"	46mm 1.81"	CPHD4	90mm 3.54"	116mm 4.57"	10mm 0.39"	90mm 3.54"	46mm 1.81"
5	WPHD5	120mm 4.72"	160mm 7.09"	10mm 0.39"	122mm 4.80"	61mm 2.40"	CPHD5	120mm 4.72"	153mm 6.02"	10mm 0.39"	122mm 4.80"	61mm 2.40"



HEX HEAD BOLT

STACKING BOLT

MOUNTING RAIL

RAIL NUT

GROUP	PART NUMBER SIZE	PART NUMBER SIZE	PART NUMBER		M	PART NUMBER D
			HEIGHT H	LENGTH L		
1	HBH1 3/8" - 16 x 1 3/4"	SBH1 3/8" - 16 x 1.02"	MRH-1 22mm 0.87	1m 3.28'	3/8" - 16	RNH1/3 18 0.71
2	HBH2 3/8" - 16 x 2 1/4"	SBH2 3/8" - 16 x 1.61"	MRH-2 22mm 0.87	2m 6.56'	3/8" - 16	RNH1/3 18 0.71
3	HBH3 3/8" - 16 x 2 3/4"	SBH3 3/8" - 16 x 2.05"			3/8" - 16	RNH1/3 18 0.71
4	HBH4 7/16" - 14 x 4"	SBH4 7/16" - 14 x 3.27"			7/16" - 14	RNH4 20 0.79
5	HBH5 5/8" - 11 x 5 1/4"	SBH5 5/8" - 11 x 4.33"				
6	HBH6 3/4" - 10 x 7 1/2"					
7	HBH7 7/8" - 9 x 8 1/2"					
8	HBH8 1 1/8" - 7 x 12"					

PRESSURE COMPONENTS, INC
p 440.349.4020 / 1.800.322.9527 / f 440.349.3653
5101 Naiman Parkway / Solon, Ohio 44139 USA

GENERAL SALES INFORMATION: sales@pressurecomponents.com

ORDERS: ordersonly@pressurecomponents.com

TECHNICAL DATA AVAILABLE AT: www.pressurecomponents.com

CATALOG C1-19 / EFFECTIVE 11-1-19